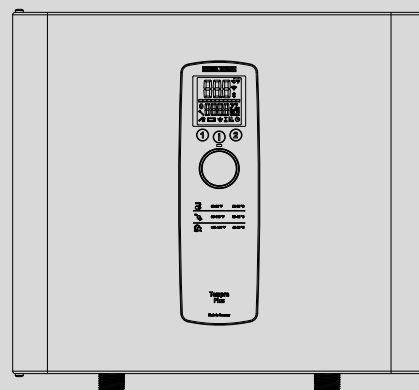
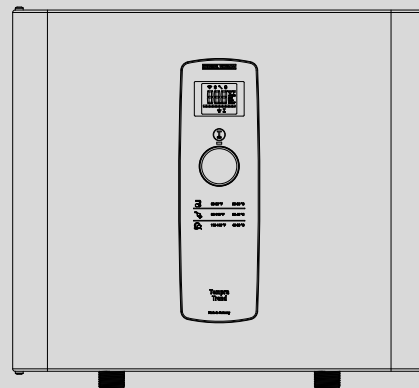


OPERATION AND INSTALLATION OPERACIÓN E INSTALACIÓN UTILISATION ET INSTALLATION

TANKLESS ELECTRIC WATER HEATERS | CALENTADORES DE AGUA SIN TANQUE | CHAUFFE-EAU INSTANTANÉS ÉLECTRIQUES

- » TEMPRA® 12 TREND
- » TEMPRA® 15 TREND
- » TEMPRA® 20 TREND
- » TEMPRA® 24 TREND
- » TEMPRA® 29 TREND
- » TEMPRA® 36 TREND

- » TEMPRA® 12 PLUS
- » TEMPRA® 15 PLUS
- » TEMPRA® 20 PLUS
- » TEMPRA® 24 PLUS
- » TEMPRA® 29 PLUS
- » TEMPRA® 36 PLUS



Conforms to ANSI/UL Std. 499
Certified to CAN/CSA Std. C22.2 No.88

Conforme a ANSI/UL Std. 499
Certificación con CAN/CSA Std. C22.2 No.88

Conforme à la norme ANSI/UL Std. 499
Certifié à la norme CAN/CSA Std. C22.2 No.88



Tested and certified by WQA to NSF/ANSI 372
for lead free compliance.

Probado y certificado por WQA NSF/ANSI 372 para
el cumplimiento de las regulaciones sin plomo.

Testé et certifié par WQA à la NSF/ANSI 372 pour une
utilisation sans plomb.

STIEBEL ELTRON

OPERATION

- 1. General information** _____ **2**
- 2. Safety** _____ **2**
 - 2.1 Intended use _____ 2
 - 2.2 Safety precautions _____ 3
 - 2.3 Test symbols _____ 3
 - 2.4 Licenses / certificates _____ 3
- 3. Register your product** _____ **3**
- 4. General** _____ **3**
 - 4.1 General appearance _____ 4
- 5. Using the display** _____ **5**
 - 5.1 User input _____ 5
 - 5.2 Tempra Trend display _____ 5
 - 5.3 Tempra Plus display _____ 6

INSTALLATION

- 6. Installation configuration** _____ **10**
 - 6.1 Typical residential installation _____ 10
 - 6.2 Typical commercial installation _____ 10
- 7. Mounting the unit** _____ **10**
 - 7.1 Mounting dimensions _____ 10
 - 7.2 Mounting instructions _____ 10
- 8. Water connections** _____ **11**
- 9. Electrical connection** _____ **12**
 - 9.1 Circuit layout _____ 12
 - 9.2 Circuit connection _____ 13
 - 9.3 Terminal block _____ 13
- 10. Commissioning the water heater** _____ **13**
- 11. Normal maintenance** _____ **13**
- 12. Troubleshooting** _____ **14**
 - 12.1 Tempra Plus error code reporting _____ 14
 - 12.2 Resetting the safety thermal cutout _____ 14
- 13. Technical data** _____ **15**
 - 13.1 Tempra Trend _____ 15
 - 13.2 Tempra Plus _____ 16
 - 13.3 Temp. increase above ambient water temp. _____ 17
 - 13.4 Dimensions _____ 18
 - 13.5 Wiring diagrams _____ 19
- 14. Spare parts** _____ **20**
- 15. Warranty** _____ **22**

OPERATION

1. General information

Read this entire manual. Failure to follow all the guides, instructions and rules could cause personal injury or property damage. Improper installation, adjustment, alteration, service and use of this unit can result in serious injury.

This unit must be installed by a licensed electrician and plumber. The installation must comply with all national, state and local plumbing and electric codes. Proper installation is the responsibility of the installer. Failure to comply with the installation and operating instructions or improper use voids the warranty.

Save these instructions for future reference. The installer should leave these instructions with the consumer.

If you have any questions regarding the installation, use or operation of this water heater, or if you need any additional installation manuals, please call our technical service line at 800.582.8423 (USA and Canada only). If you are calling from outside the USA or Canada, please call USA 413.247.3380 and we will refer you to a qualified Stiebel Eltron service representative in your area.



This is the safety alert symbol. It is used to alert you to potential personal injury hazard. Obey all safety messages that follow this symbol to avoid possible injury or death.

2. Safety

Observe the following safety information and regulations.

Operate the appliance only when fully installed and with all safety equipment fitted.

2.1 Intended use

The appliance is intended for heating domestic hot water and can supply several draw-off points.

Any other use beyond that described shall be deemed inappropriate, and may void the manufacturers warranty.

Observation of these instructions is also part of the correct use of this appliance.

OPERATION

REGISTER YOUR PRODUCT

2.2 Safety precautions



DANGER: Injury
Please read and follow these instructions. Failure to follow these instructions could result in serious personal injury or death.



DAMAGE TO THE APPLIANCE AND THE ENVIRONMENT:
The appliance must be installed by a licensed electrician and plumber. The installation must comply with all national, state and local plumbing and electric codes. Service of the appliance must be performed by qualified service technicians.



DANGER: Electrocutation
Before proceeding with any installation, adjustment, alteration, or service of this appliance, all circuit breakers and disconnect switches servicing the appliance must be turned off. Never remove the appliance's cover unless the electricity servicing the appliance is turned off. Failure to do so could result in personal injury or death.
The appliance must be properly grounded. Failure to electrically ground the product could result in serious personal injury or death.



DANGER: Burns
Water temperatures over 125 °F (52 °C) can cause severe burns instantly or death from scalding. A hot water scalding potential exists if the thermostat on the appliance is set too high. Households with small children, disabled or elderly persons may require that the thermostat be set at 113 °F (45 °C) or lower to prevent possible injury from hot water.



WARNING: Injury
Where children or persons with limited physical, sensory or mental capabilities are to be allowed to control this appliance, ensure that this will only happen under supervision or after appropriate instructions by a person responsible for their safety. Children should be supervised to ensure that they never play with the appliance.

2.3 Test symbols

See the type label on the appliance.

2.4 Licenses / certificates

- UL (USA) Std. 499
- CSA (Canada) Std. C22.2 No.88
- NSF/ANSI 372

3. Register your product



You must register this product within 90 days of purchase on our web site in order to activate the standard warranty. Go to our web site at www.stiebel-eltron-usa.com and click on register your product.

Before beginning the registration process, we suggest that you gather the necessary information which will be as follows:

- Type, Example: Tempra 24 Plus (from the label that is on the unit)
- Number listed after "Nr."
- Place of Purchase
- Purchase Date
- First & Last Name
- Email address
- Physical Address
- Phone Number
- Installation Date

If you have any questions concerning the registration process or warranty, please contact Stiebel Eltron USA directly at 800.582.8423.

4. General

The Tempra Trend and Tempra Plus units are designed to supply hot water for a house, apartment or certain commercial applications. Unlike a conventional storage type water heater, the Tempra tankless water heater does not store hot water. Instead, water is heated instantaneously as it flows through the unit. The Tempra offers greater energy efficiency than storage type water heaters due to the absence of stand-by losses and reduced hot water pipe runs.

The input of heat into the water is controlled electronically. The Tempra will deliver any water temperature between 68 °F (20 °C) and 140 °F (60 °C). Set the desired temperature using the knob on the front cover. The Tempra Trend and Tempra Plus temperature adjustment knob can be set to: OFF, 68-140 °F (20-60 °C). The maximum temperature is electronically limited to 140 °F (60 °C).

For reasons of appliance efficiency and durability (scaling), the optimum temperature setting lies between 86 °F (30 °C) and 120 °F (50 °C).

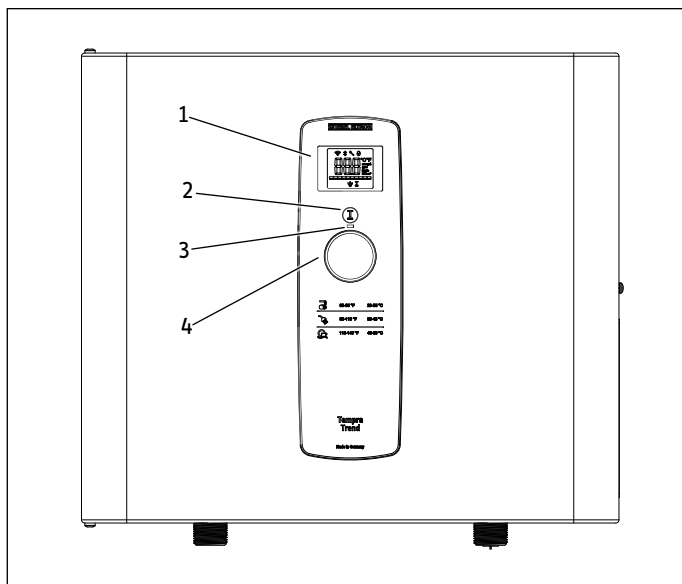
The Tempra has a built-in display that allows for user customization and information feedback.

OPERATION

GENERAL

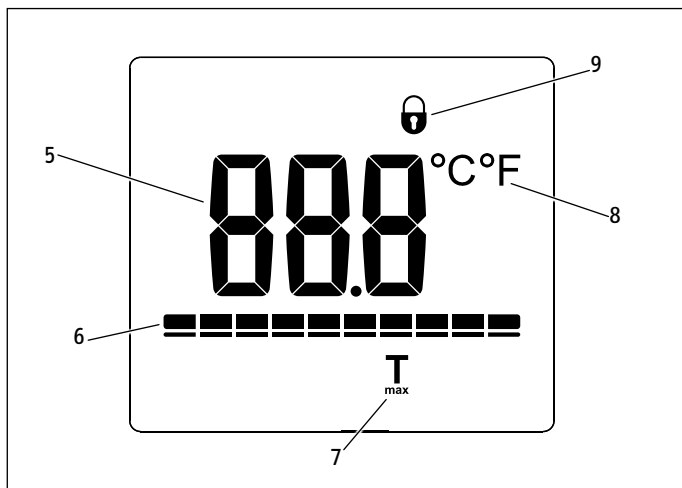
4.1 General appearance

4.1.1 Tempra Trend



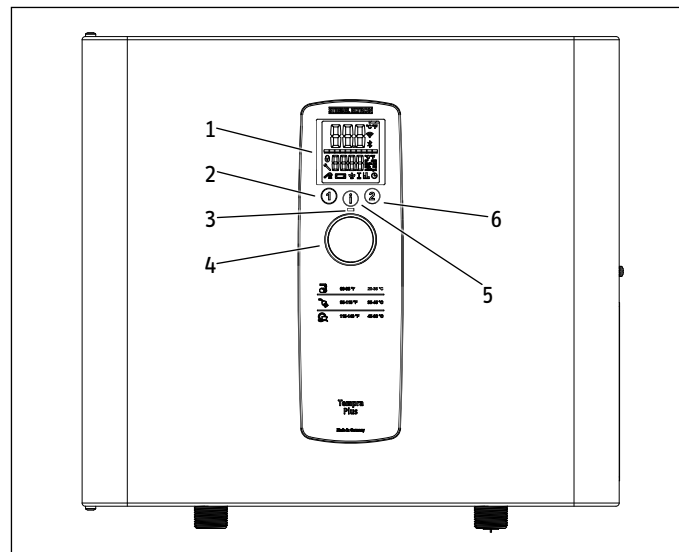
- 1 Display
- 2 T_{max} button
- 3 Power status LED
- 4 Control knob

Tempra Trend display overview



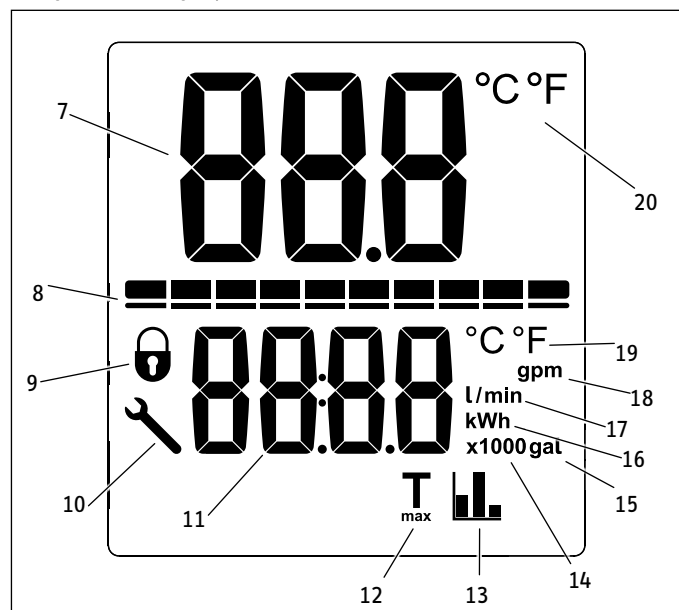
- 5 Digit display
- 6 Power capacity status
- 7 T_{max} indicator
- 8 Temperature unit indicator
- 9 Display-lock indicator

4.1.2 Tempra Plus



- 1 Display
- 2 Preset 1
- 3 Power status LED
- 4 Control knob
- 5 Menu button
- 6 Preset 2

Tempra Plus display overview



- 7 Primary digit display
- 8 Power capacity status
- 9 Display-lock indicator
- 10 Error code symbol
- 11 Secondary digit display
- 12 T_{max} indicator
- 13 Savings statistics indicator
- 14 x1000 secondary display value
- 15 Gallons secondary display unit
- 16 kWh secondary display unit
- 17 Liters & liters per minute secondary display unit
- 18 Gallons per minute secondary display unit
- 19 Temperature unit for secondary display
- 20 Temperature unit for primary display

OPERATION

USING THE DISPLAY


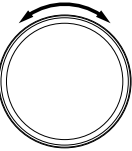
5. Using the display

5.1 User input




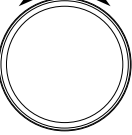
The Tempra Trend and Tempra Plus feature an interactive display that allow for user customization to increase the level of comfort for the user.

The menu structure is designed in an intuitive, linear way to make it as navigable as possible.

5.1.1 Tempra Trend user input

User input	
	T _{max} button (pressing or holding this button performs different functions)
	Control knob (turn knob to change settings)

5.1.2 Tempra Plus user input

User input	
	Information button (pressing or holding this button performs different functions)
	Preset 1 button (pressing or holding this button performs different functions)
	Preset 2 button (pressing or holding this button performs different functions)
	Control knob (turn knob to change settings)

5.2 Tempra Trend display

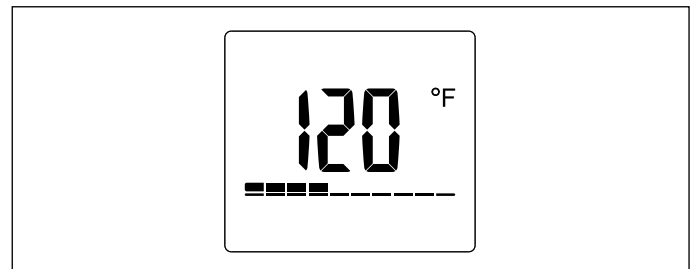
The Tempra Trend display features a temperature and power capacity display. The display is backlit and will illuminate whenever user input is detected. The backlight will time out and deactivate if no user input has been detected for 15 seconds.

For the name of each display element on the Tempra Trend, consult section 4.1.1, “Tempra Trend”, pg. 4.

5.2.1 Base display

The base display shows the current temperature setpoint in your preferred temperature unit. The bar below the temperature shows the current operating capacity. As the hot water demand fluctuates, the power capacity status will change to show between 0 and 10 segments. The display below shows that the water heater is operating at 40% of capacity.

All other menu displays will revert back to the base display either after a 15 second period of time without user input, or after a 5 second hold of the T_{max} button.



Changing the setpoint temperature

The setpoint temperature can be set between 68 °F (20 °C) and 140 °F (60 °C).

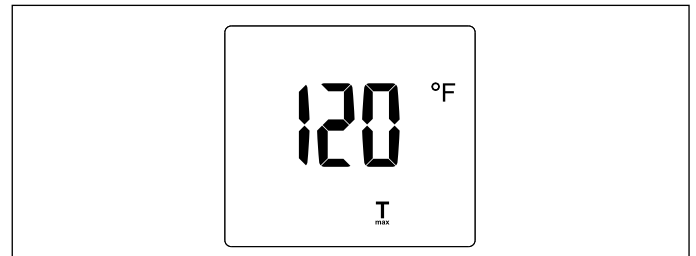
The setpoint can be increased by turning the control knob clockwise, and decreased by turning it counter-clockwise. The water heater can be deactivated while still powered by turning the control knob counter-clockwise, past the 68 °F (20 °C) setting.

5.2.2 Parameters menu

While at the base display, holding the T_{max} button for 5 seconds will advance the display to the first parameter menu.

T_{max} parameter setting

The first parameter menu sets the value for T_{max}. The value of T_{max} acts as a high temperature limiter. If the T_{max} value is set, the setpoint of the water heater cannot be set above the T_{max} value. This feature is useful in scenarios where scalding from hot water is a real possibility.



At the T_{max} setting menu, the display will flash, indicating that the value can be changed by rotating the control knob. The T_{max} value can be increased by turning the control knob clockwise, and decreased by turning it counter-clockwise. The T_{max} value can be deactivated by turning the control knob counter-clockwise, past the 68 °F (20 °C) setting. The display will read "Off" if T_{max} is inactive.

If the T_{max} symbol is visible at the base display, then the T_{max} function is active and is limiting the maximum allowable temperature to the preset level.

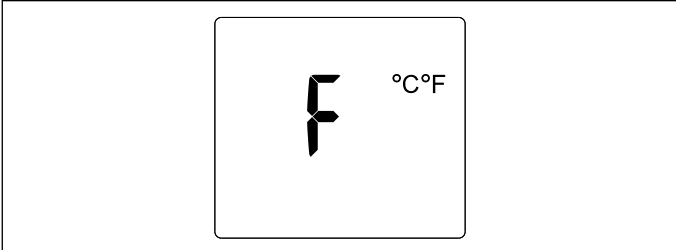
OPERATION

USING THE DISPLAY

Pressing the T_{max} button once while at this display will move the display onto the temperature units parameter setting.

Temperature units parameter setting

The Tempra Trend is capable of displaying temperature in either Fahrenheit or Celsius.

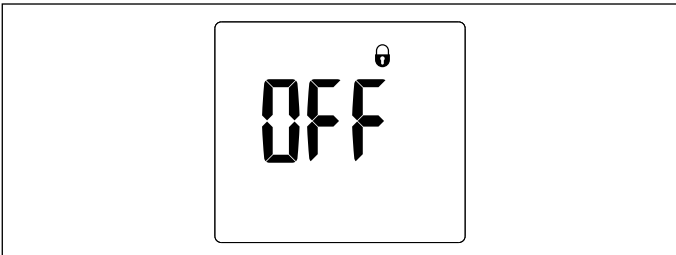


The current unit will be shown and the display will be flashing to indicate that the value can be changed. Rotate the control knob to change the value between Fahrenheit and Celsius.

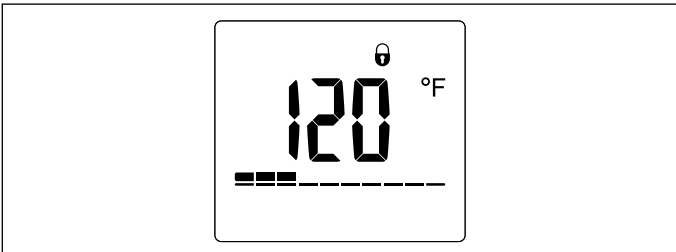
Pressing the T_{max} button once while at this display will move the display onto the display-lock parameter setting.

Display-lock parameter setting

The display can be locked to prevent changes to the temperature setpoint. This menu will flash, indicating that the value can be changed by rotating the control knob. While the display shows "Off", the lock is not active. The lock is active when it reads "On".



If the display-lock parameter is set to "On" and the user either holds the T_{max} button for 5 seconds or lets the display time out for 15 seconds, the display-lock will become active.



With the display-lock active, a lock will appear on the base display, and no parameters can be changed. In order to disable the lock, hold the T_{max} button for 12 seconds. The lock will then disappear from the display and all parameters can be changed again.

Pressing the T_{max} button once while at the display-lock parameter setting menu will move the display back onto T_{max} parameter setting menu.

5.2.3 Returning to the base display

While navigating the display and on any menu other than the base display, holding the T_{max} button for 5 seconds will return the

display to the base display. Additionally, the display will revert to the base display after a 15 second period with no user input.

5.3 Tempra Plus display

The Tempra Plus features a primary and secondary display area allowing for multiple parameters or information to be displayed. The Tempra Plus is capable of displaying the current flow rate of the water passing through the water heater, as well as calculating the accumulated cost savings of having a tankless water heater compared to a tank-type water heater.

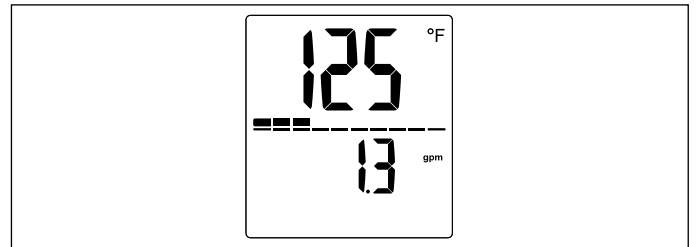
For the name of each display element on the Tempra Plus, consult section 4.1.2, "Tempra Plus", pg. 4.

5.3.1 Base display

The Tempra Plus base display displays the current setpoint temperature in your preferred temperature unit in the top half of the display.

The bar below the temperature shows the current fraction of total capacity that the water heater is running at. As the hot water demand fluctuates, the power capacity status will change to show between 0 and 10 segments. The display below shows that the water heater is operating at 30% of capacity.

The bottom half of the display shows the current flow rate through the unit in either gallons per minute (gpm) or liters per minute (l/min).



All other menus will revert back to the base display either after a 15 second period of time without user input, or after a 5 second hold of the Information button.

5.3.2 Information menu

The information menu structure displays additional information for the user. The information menu is accessed by pressing the Information button while at the base display.

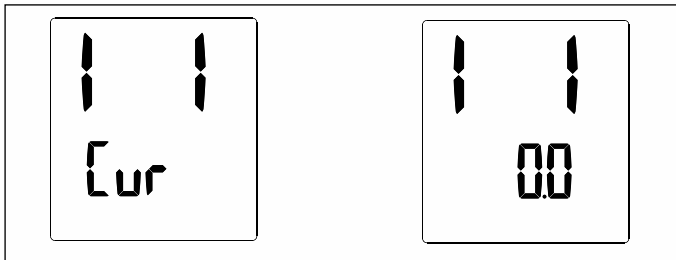
Accumulated cost savings display

If the Information button is pressed while the display is showing the base display, the display will advance to the accumulated cost savings display.

The accumulated cost savings display will display "l1" in the top half of the display, and the bottom half of the display will alternate between "Cur" and the accumulated savings of the water heater.

OPERATION

USING THE DISPLAY



The accumulated cost savings updates daily, and shows the estimated savings for the user compared to an install where they would have had a tank-type water heater installed.

This savings estimate is based on the users electricity cost. For the most accurate estimate, the electricity cost per kWh should be set in the electricity cost parameter setting menu. For information on how to do this, see section “Electricity cost parameter setting”, pg. 8.

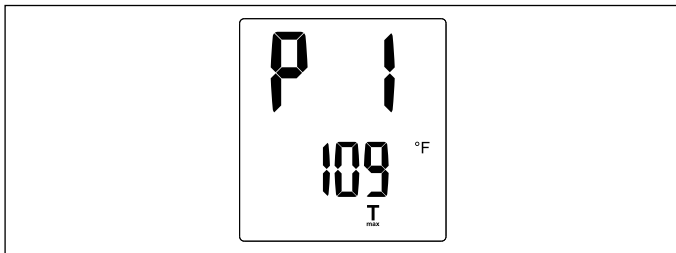
Pressing the Information button will advance back to the base display. The display will also revert back to the base display if no user input is detected for 15 seconds.

5.3.3 Parameters menu

The parameters menu allows multiple settings on the Tempra Plus to be altered. The parameters menu can be accessed by holding the Information button for 5 seconds.

T_{max} parameter setting

The first parameter menu sets the value for T_{max} . The value of T_{max} acts as a high temperature limiter. If the T_{max} value is set, the setpoint of the water heater cannot be set above the T_{max} value. This feature is useful in scenarios where scalding from hot water is a real possibility.



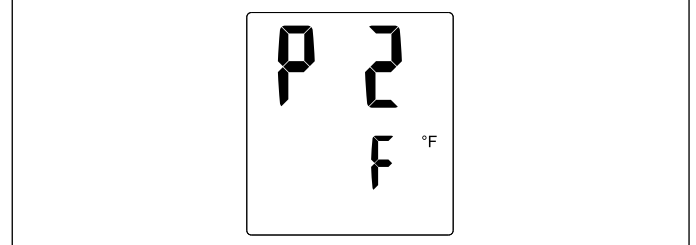
At the T_{max} setting menu, the temperature value will flash, indicating that the value can be changed by rotating the control knob. The T_{max} value can be increased by turning the control knob clockwise, and decreased by turning it counter-clockwise. The T_{max} value can be deactivated by turning the control knob counter-clockwise, past the 68 °F (20 °C) setting. The display will read “Off” if T_{max} is inactive.

If the T_{max} symbol is visible at the base display, then the T_{max} function is active and limiting the maximum allowable temperature.

Pressing the Information button once while at this menu will move the display onto the temperature units parameter setting.

Temperature units parameter setting

The Tempra Plus is capable of displaying temperature in either Fahrenheit or Celsius.

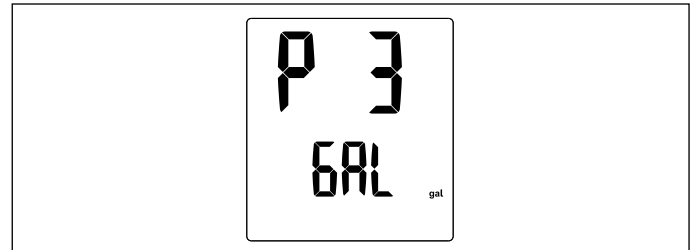


The current unit will be shown and the secondary display value will be flashing to indicate that the value can be changed. Rotate the control knob to change the value between Fahrenheit and Celsius.

Pressing the Information button once while at this menu will move the display onto the volume units parameter setting.

Volume units parameter setting

The Tempra Plus is capable of displaying volume or volume flow in either gallons per minute (gpm) or liters per minute (l/min).



The current volume unit will be displayed and the value will be flashing to indicate that it can be changed. Rotate the control knob to change the value between gallons per minute and liters per minute.

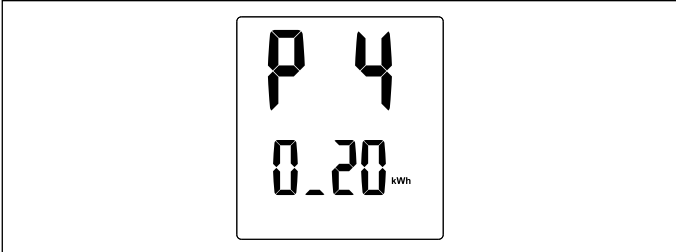
Pressing the Information button once while at this menu will advance the display to the electricity cost parameter setting.

OPERATION

USING THE DISPLAY

Electricity cost parameter setting

The Tempra Plus has a built-in feature where it calculates the energy savings of the unit when compared to the average energy use of a tank-type water heater. In order for this feature to be accurate, the cost per kWh of electricity must be programmed into the software.

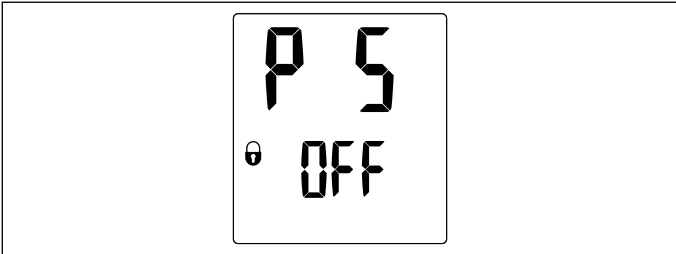


The secondary display will be flashing to indicate that the value can be changed by rotating the control knob. Consult your electricity bill to determine the cost of electricity per kWh.

Pressing the Information button once while at this menu will advance the display to the display-lock parameter setting.

Display-lock parameter setting

The display can be locked to prevent easy alteration of the temperature setpoint. This menu will flash, indicating that the value can be changed by rotating the control knob. While "Off" is displayed, the lock is not active. The lock is active when the display reads "On".



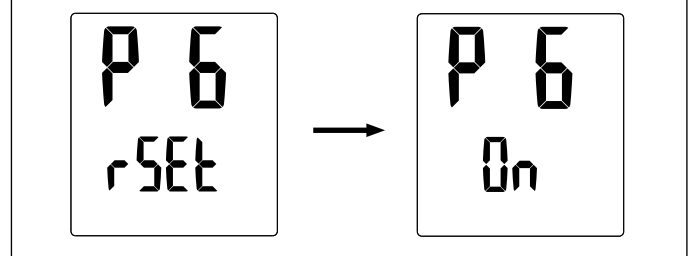
If the display-lock parameter is set to "On" and the user either holds the Information button for 5 seconds or lets the display time out for 15 seconds, the display-lock will become active.

With the display-lock active, a lock will appear on the base display, and no parameters can be changed. In order to disable the lock, hold the Information button for 12 seconds. The lock will then disappear and all parameters can be changed again.

Pressing the Information button once while at the display-lock parameter setting menu will move the display onto the factory setting reset parameter menu.

Factory setting reset parameter

The temperature setpoint, preset values, temperature, & volume units can all be reset to their factory settings.

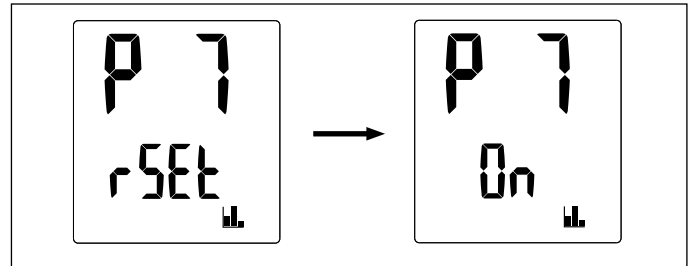


The display will be flashing to indicate that the value can be changed by rotating the control knob. When the value is set to "On", the reset must be confirmed by holding both Button 1 and Button 2 simultaneously for 5 seconds.

Pressing the Information button once will advance the display to the accumulated savings reset parameter menu.

Accumulated savings reset parameter

Much like the factory setting reset parameter, the calculated accumulated savings value can be reset to zero.



The display will be flashing to indicate that the value can be changed by rotating the control knob. When the value is set to "On", the reset must be confirmed by holding both Button 1 and Button 2 simultaneously for 5 seconds.

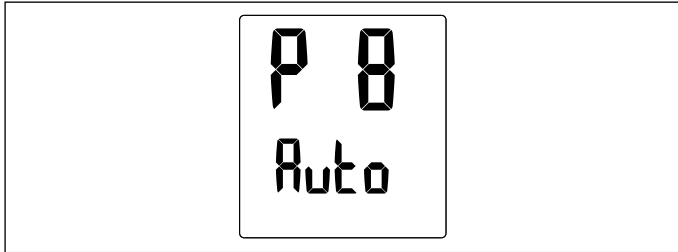
Pressing the Information button once will advance the display to the display backlight time-out parameter.

OPERATION

USING THE DISPLAY

Display backlight time-out parameter

The backlight of the display can be set to be always on, or set to an automatic mode that deactivates when no user input is detected for 15 seconds.

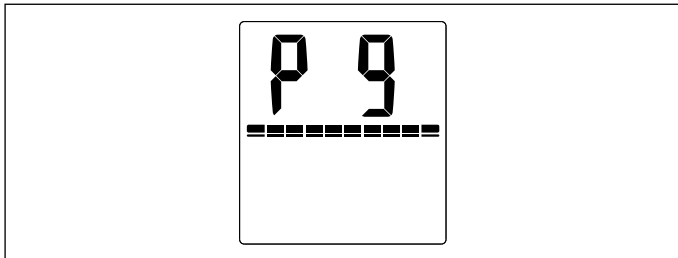


The entire display and backlight will be flashing to indicate that the value can be changed by rotating the control knob. When the value is set to "On", the backlight will always be on. When the value is set to "Auto", it will automatically deactivate after 15 seconds of inactivity.

Pressing the Information button once while at this menu will advance the display to the backlight display brightness parameter menu.

Backlight display brightness parameter

The brightness of the display backlight can be adjusted to two different parameters. A high and low setting allows for user customization depending on the light conditions in the installation location.



The power capacity status bar indicates the brightness setting. A full capacity bar indicates that the brightness is at the high setting. A half-full capacity bar indicates that the brightness is at the low setting.

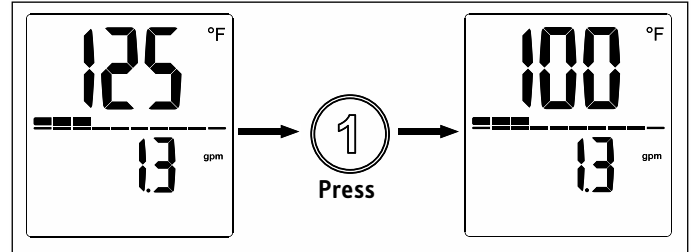
Pressing the Information button once while at this menu will advance the display back to the T_{max} parameter setting page, labeled "P1".

5.3.4 Temperature preset options

The Tempra Plus features two temperature preset settings to allow for quickly accessible setpoints. Button 1 and Button 2 are capable of each storing an independent setpoint value.

Changing setpoint to preset values

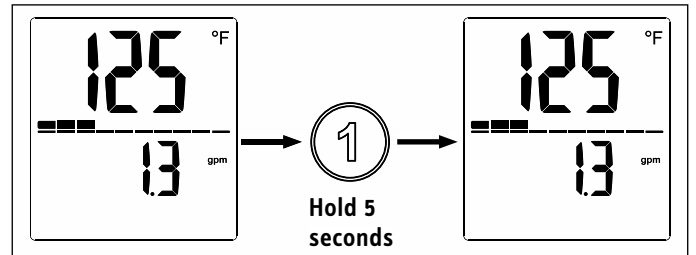
While the display is at the base display, the user can press either Button 1 or Button 2 to change the setpoint to the buttons stored value.



When the button is pressed, the setpoint value will change to whatever value was stored up to that point.

Changing the preset values

The preset values can be changed from the default setpoint values.



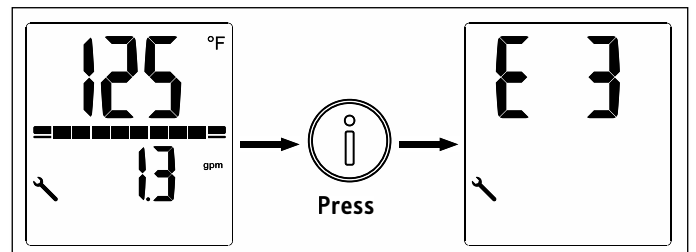
To change the value of either preset 1 or preset 2, first rotate the control knob to the temperature that you want to set the preset value. Then hold the preset button for 5 seconds. The display will flash to indicate that the preset has been changed successfully.

5.3.5 Returning to the base display

While navigating the display and on any menu other than the base display, holding the Information button for 5 seconds will return the display to the base display. Additionally, the display will revert to the base display after a 15 second period with no user input.

5.3.6 Tempra Plus error menu

If the Tempra plus encounters an error, a wrench will illuminate in the bottom left of the display.



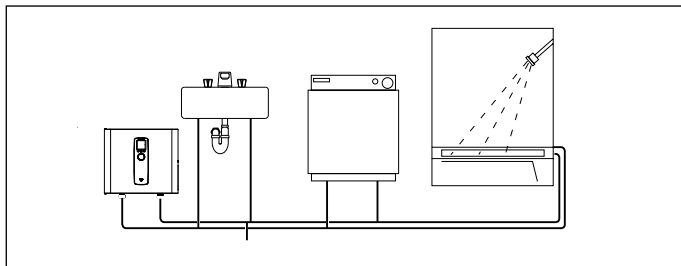
While the wrench is showing, press the Information button to advance the display to the error display page. Consult section "Tempra Plus error code reporting", pg. 14 for information on how to interpret the reported error code.

INSTALLATION

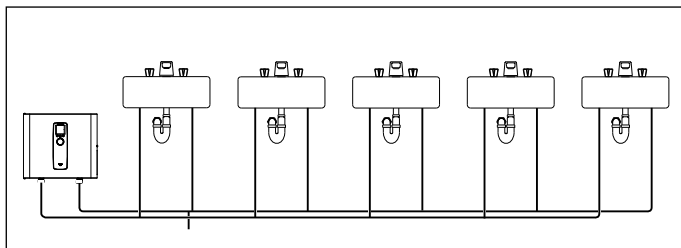
6. Installation configuration

The Tempra can be used for the following applications.

6.1 Typical residential installation



6.2 Typical commercial installation



7. Mounting the unit

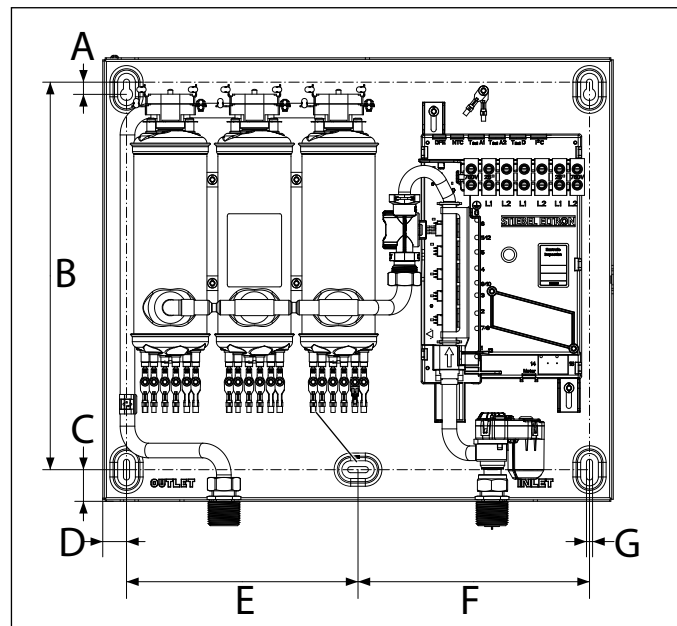
NOTICE: Unit must be installed in a vertical position with the water fittings pointing downward.

WARNING: Do not install unit where it would routinely be splashed with water. Electric shock may result.

CAUTION: Hot water outlet pipes leaving unit can be hot to the touch. Insulation must be used for hot water pipes below 36" (0.9 m) due to burn risk to children.

NOTICE: This unit should not be installed in a location where it may be exposed to temperatures less than 36 °F (2 °C). If the unit may be subject to freezing temperatures all water must be drained from the unit. Failure to comply with this instruction voids all warranties. The unit should be located in an area where water leakage from the unit or connections will not result in damage to the area adjacent to the unit. If such a location cannot be avoided it is recommended that a drain pan be installed under the unit.

7.1 Mounting dimensions



Dimensions

A $\frac{3}{8}$ " (10 mm)

B $12\frac{1}{2}$ " (318 mm)

C 1" (26 mm)

D $\frac{3}{4}$ " (20 mm)

E $7\frac{1}{2}$ " (190 mm)

F $7\frac{1}{2}$ " (190 mm)

G $\frac{3}{16}$ " (5 mm)

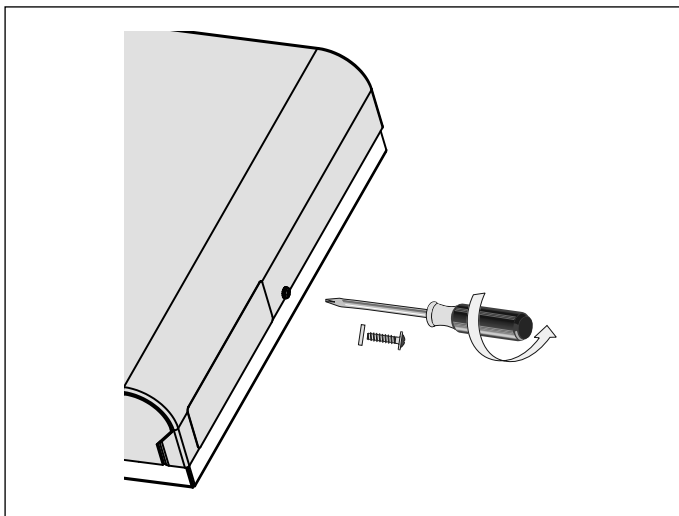
7.2 Mounting instructions

Install Tempra as close as possible to the main hot water draw-off points.

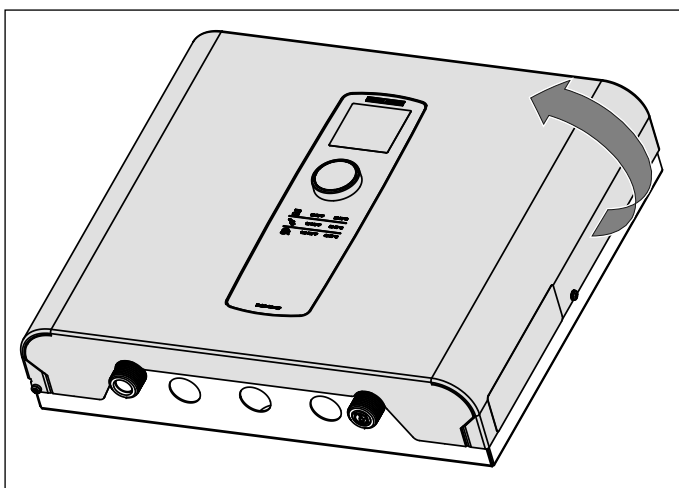
- ▶ Install Tempra in a frost free area. If frost might occur, remove unit before freezing temperatures set in.
- ▶ Leave a minimum of 5" (120 mm) of clearance on all sides for servicing.

INSTALLATION

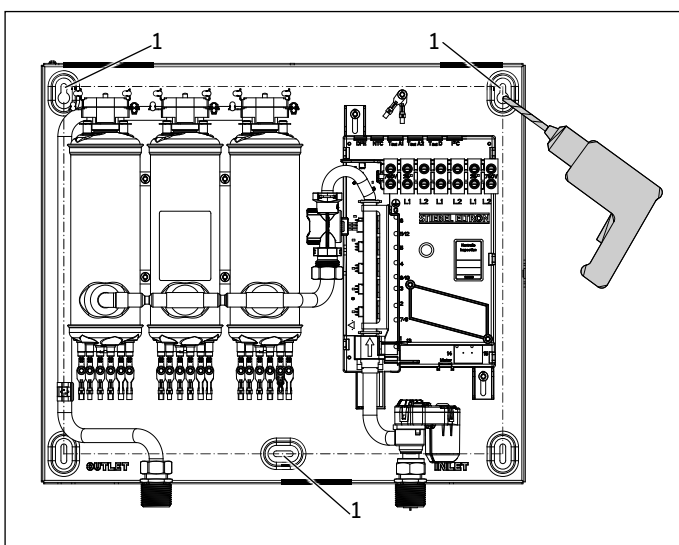
WATER CONNECTIONS



► Remove the cover screw.



► Open the front cover.



1 Mounting holes

► Mount unit securely to wall by putting at least three screws through mounting holes. Screws and plastic wall anchors for mounting on masonry or wood are provided.

8. Water connections

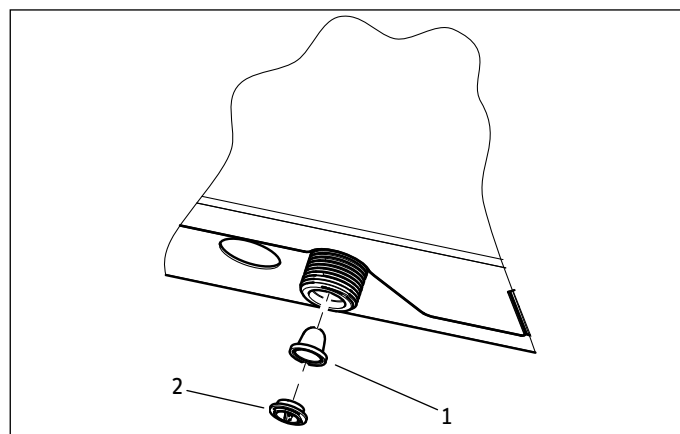


NOTICE: Excessive heat from soldering on copper pipes near the Tempra may cause damage. The cold water connection to the unit must be disconnected periodically in order to clean the filter screen. It is required to use water connections that are easily detachable such as braided steel flex connectors.



NOTICE: Hard water or water with a high mineral count may damage the unit. Damage to the unit caused by scale or a high mineral count is not covered under the warranty.

- All plumbing work must comply with national and applicable state and local plumbing codes.
- A pressure reducing valve must be installed if the cold water supply pressure exceeds 150 psi (10 bar).
- Make certain that the cold water supply line has been flushed to remove any scale and dirt.
- The Tempra unit has a built in filter screen that should be cleaned from time to time. Clean screen and put the screen and the washer back into their original position.



- 1 Filter screen
- 2 Washer

► The cold water connection (inlet) is on the right side of the unit, and the hot water connection (outlet) is on the left side of the unit.



NOTICE: Tankless water heaters such as the Tempra are not required to be equipped with a temperature and pressure relief valve (T&P). If the local inspector will not pass the installation without a T&P, it should be installed on the hot water outlet side of the unit.

- The Tempra on the hot side is designed for connection to copper tubing, PEX tubing or a braided stainless steel hose with a 3/4" NPT female tapered thread.
- The plumbing on the cold water inlet side needs to be such that it can easily be removed to allow access to the inlet filter screen. The easiest way to achieve this is to use a stainless steel braided hose connector. If soldering near the unit is necessary, please direct the flame away from the housing of the unit in order to avoid damage.
- When all plumbing work is completed, check for leaks and take corrective action before proceeding.

INSTALLATION

ELECTRICAL CONNECTION

9. Electrical connection

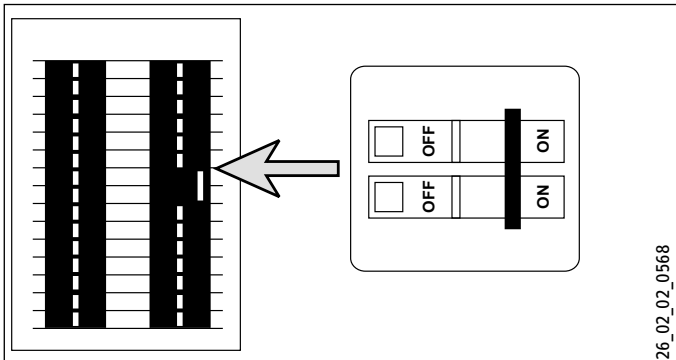
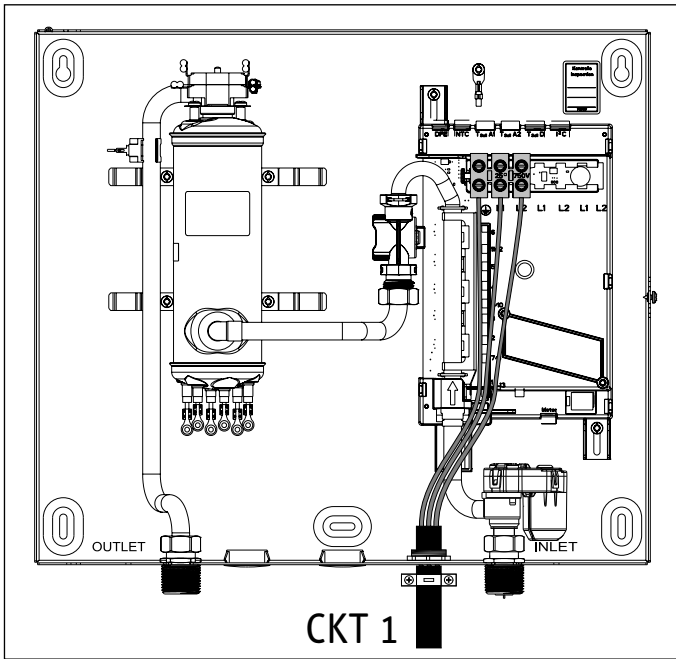


WARNING: Electrocutation
 Before beginning any work on the electric installation, be sure that main breaker panel switches are "Off" to avoid any danger of electric shock. All mounting and plumbing must be completed before proceeding with electrical hook-up. Where required by local, state or national electrical codes the circuits should be equipped with a "ground fault interrupter". The unit must be properly grounded in accordance with state and local codes, or in absence of such codes, in accordance with national electric code or the Canadian electric code. Failure to electrically ground the product could result in serious personal injury or death.

The Tempra should be connected to properly grounded dedicated branch circuits of proper voltage rating. Ground must be brought to the "Ground" at the circuit breaker panel.

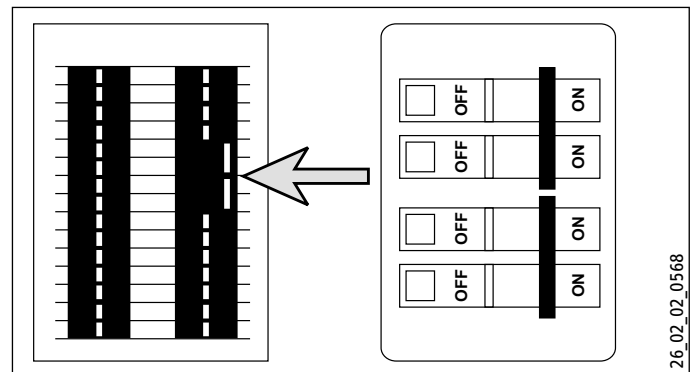
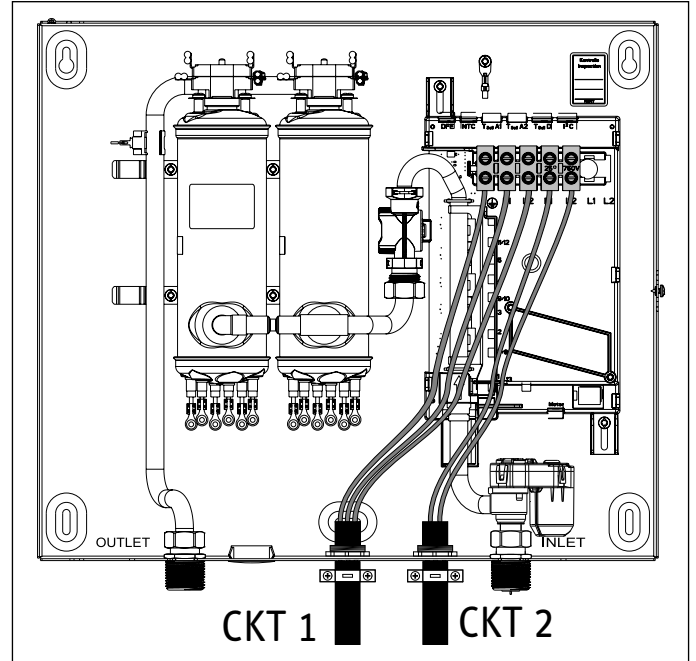
9.1 Circuit layout

9.1.1 Tempra 12 Trend / Plus



Tempra 12 Trend / Plus: These units can be connected to a single circuit. Use a supply cable protected by a double pole breaker.

9.1.2 Tempra 15, 20, 24 Trend / Plus



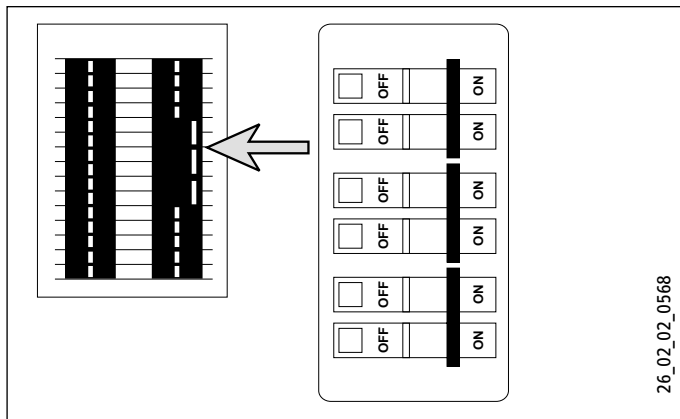
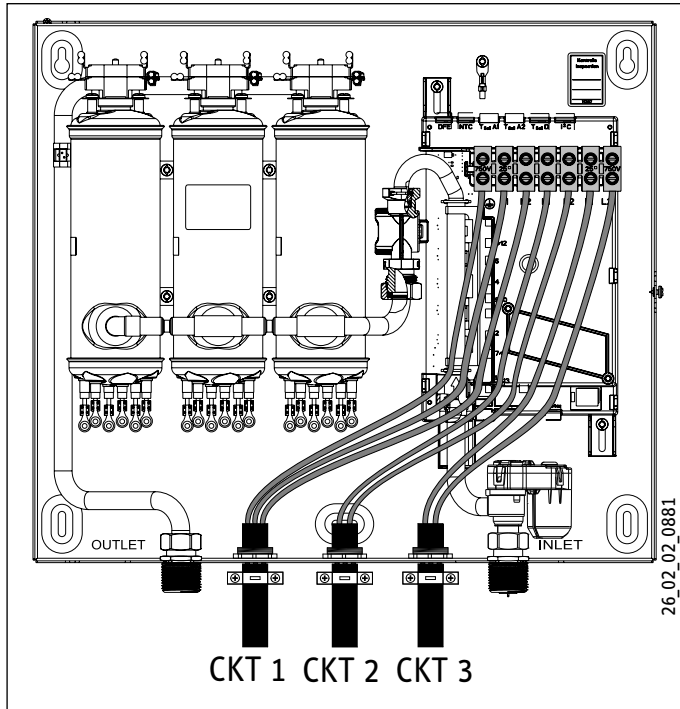
Tempra 15, 20 or 24 Trend / Plus: These units require two independent circuits. Use two supply cables protected by two separate double pole breakers.

INSTALLATION

COMMISSIONING THE WATER HEATER

ENGLISH

9.1.3 Tempra 29, 36 Trend / Plus

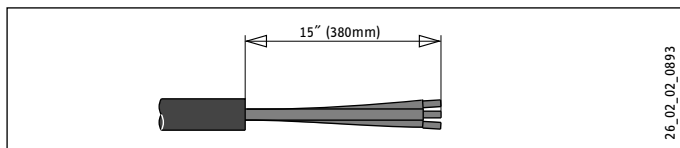


Tempra 29 or 36 Trend / Plus These units require three independent circuits. Use three supply cables protected by three separate double pole breakers.

9.2 Circuit connection

Please refer to the technical data table for the correct wire and circuit breaker size. In all cases, make sure that the unit is properly grounded.

- ▶ Cut the electrical connection cable to length and strip.



The wire must be fed through the knock-outs located between the hot and cold water connections (See 9.1, "Circuit layout", pg. 12). The "live" wires must be connected to the slots on the terminal block marked L1 and L2. The ground wire must be connected to slot marked with the ground symbol (See 13.5, "Wiring diagrams", pg. 19).

9.3 Terminal block

Consult the chart below for the recommended torque amounts on the terminal block screws.

Screw Size (mm)	Min. Torque (N•cm)	Min. Torque (Lbf•in)
M6	200-250	17.7-22.1

Using the proper torque specifications to secure wire to the wiring block helps to avoid personal loss or property damage.

10. Commissioning the water heater

WARNING: Open the hot water faucet for a few minutes until water flow is continuous and all air is purged from water pipes. The unit's cover must be installed before the circuit breakers are turned on.

- ▶ Check that the set value transducer cable is plugged into the slot TSoll D on the main PCB. If the cable was disconnected for any reason during installation, ensure it is reconnected to slot TSoll D before supplying power to the water heater.
- ▶ Fill the unit up completely with water.
- ▶ Close the cover and fix it using the screw with the lock washer.
- ▶ Turn on circuit breakers to bring electrical power to the unit.
- ▶ Adjust the water temperature to the desired level using the knob on the front cover of the unit.
- ▶ Turn on hot water and wait twenty seconds until temperature has stabilized.
- ▶ Check the water temperature with your hand and make sure that it does not feel too hot. Reduce if necessary.
- ▶ Explain to the user how the unit works and familiarize them with its use.
- ▶ Advise the user about possible hazards (hot water temperature up to 140 °F (60 °C)). Hand over these instructions, to be kept for future reference.

11. Normal maintenance

NOTICE: The Tempra does not contain any parts serviceable by the average user. In case of malfunction please contact a licensed plumber or electrician.

Stiebel Eltron Tempra tankless water heaters are designed for a very long service life. Actual life expectancy will vary with water quality and use. To ensure consistent water flow, it is recommended to periodically remove scale and dirt that may build up at the aerator of the faucet(s), the filter screen in the unit, or the heating canisters of the water heater.

Periodically check the water quality supplied to the water heater. Water quality can have an impact on appliance longevity and may not be covered under the manufacturer's warranty.

12. Troubleshooting

Symptom	Possible cause	Solution
No hot water	circuit breakers off	turn circuit breakers on
	not enough flow rate to activate unit	clean filter screen at unit clean faucet aerator or shower head
	flow sensor clogged/not spinning	remove flow sensor and blow through it to make sure wheel is spinning
	water heater not plumbed correctly	ensure cold water entering on right side and hot outlet exiting on left side
Not enough hot water/restricted hot water flow	filter screen clogged	clean filter screen at unit
	scale built up on heating elements	descale the heating elements using a descaling solution
Water not hot enough	water flow rate too high	reduce water flow rate until power light on front cover stops blinking
	voltage too low	supply correct voltage to unit
	safety thermal cutout has tripped	turn off power supply, reset safety thermal cutout

If you are not able to resolve a problem please contact us toll free at 800.582.8423 before removing the unit from the wall. Stiebel Eltron is happy to provide technical assistance. In most instances, we can resolve the problem over the phone.

12.1 Tempra Plus error code reporting

The Tempra Plus features the capability to self-diagnose and report operational issues that it encounters. For information on how the error will be shown on the Tempra Plus display see the section "Tempra Plus error menu", pg. 9.

Error	Cause	Solution
2	inlet temperature sensor failure	contact Stiebel Eltron technical support.
3	outlet temperature sensor failure	ensure the outlet temperature sensor cable is connected to the main control board contact Stiebel Eltron technical support

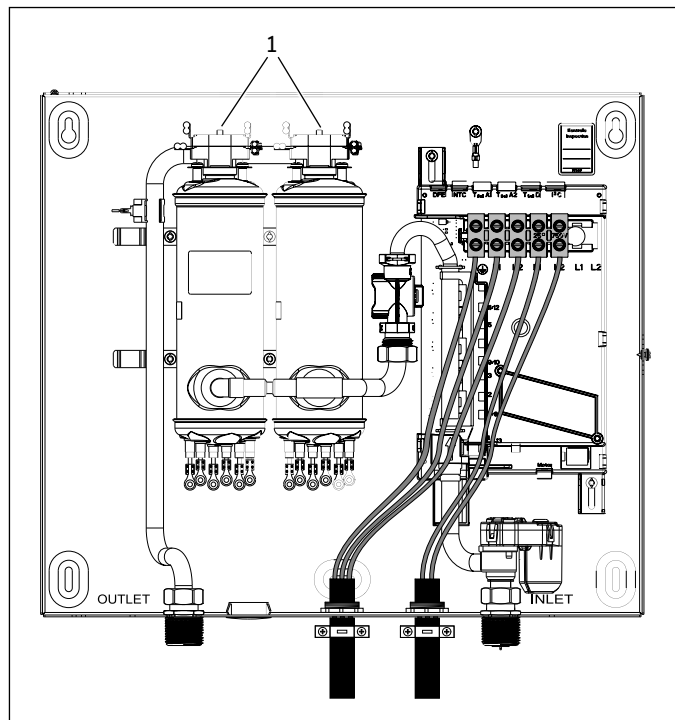
12.2 Resetting the safety thermal cutout



DANGER: Electrocutation

Do not attempt to reset the safety thermal cutout of this water heater unless power to the unit has been completely shut off at the circuit breakers.

The safety thermal cutout on the Tempra is designed to cut off electrical power to the heating elements if water of a too high temperature is encountered. When one of these safety cutouts have tripped, they must be reset manually.



1 Thermal safety cutouts

To reset the safety cutouts, follow the following procedure:

- ▶ Turn off all circuit breakers attached to the water heater
- ▶ Open the front cover of the water heater
- ▶ Identify the safety thermal cutouts on the top of the copper heating canisters. The buttons at the top are the reset buttons.
- ▶ Press down on the buttons, take note of whether they click when pressed or not.

A heating canister that needs to be repeatedly reset may have a technical issue that should be addressed by Stiebel Eltron technical support.

13. Technical data

13.1 Temptra Trend

	Temptra 12 Trend		Temptra 15 Trend		Temptra 20 Trend		Temptra 24 Trend ³		Temptra 29 Trend ⁴		Temptra 36 Trend ⁵	
Part number	239213		239214		239215		239216		239217		239218	
Electrical details												
Phase	single 50/60 Hz		single ⁶ 50/60 Hz		single ⁶ 50/60 Hz		single ⁶ 50/60 Hz		single ⁶ 50/60 Hz		single ⁶ 50/60 Hz	
Voltage	240 V	208 V	240 V	208 V	240 V	208 V	240 V	208 V	240 V	208 V	240 V	208 V
Wattage	12 kW	9 kW	14.4 kW	10.8 kW	19.2 kW	14.4 kW	24 kW	18 kW	28.8 kW	21.6 kW	36 kW	27 kW
Max. amp. load	1 x 50 A	1 x 44 A	2 x 30 A	2 x 26 A	2 x 40 A	2 x 35 A	2 x 50 A	2 x 44 A	3 x 40 A	3 x 35 A	3 x 50 A	3 x 44 A
Number & min. recommended size of circuit breakers ¹ (DP)	1 x 50 A		2 x 30 A		2 x 40 A 2 x 35 A		2 x 50 A		3 x 40 A 3 x 35 A		3 x 50 A	
Power connection	1/GRD		2/GRD		2/GRD		2/GRD		3/GRD		3/GRD	
Min. recommended wire size (copper) ²	1 x 8/2 AWG		2 x 10/2 AWG		2 x 8/2 AWG		2 x 8/2 AWG		3 x 8/2 AWG		3 x 8/2 AWG	
Connections												
Water connection	3/4" NPT											
Max. cold water temperature	108 °F (42 °C)											
Hydraulic data												
Rated capacity	0.13 gal (0.5 l)		0.26 gal (1.0 l)		0.26 gal (1.0 l)		0.26 gal (1.0 l)		0.39 gal (1.5 l)		0.39 gal (1.5 l)	
Values												
Min. water flow to activate unit	0.37 gpm (1.4 l/min)		0.5 gpm (1.9 l/min)		0.5 gpm (1.9 l/min)		0.5 gpm (1.9 l/min)		0.77 gpm (2.9 l/min)		0.77 gpm (2.9 l/min)	
Max. permissible inlet temperature	131 °F (55 °C)											
Application limits												
Min. permissible pressure	30 psi (0.2 MPa)											
Max. permissible pressure	150 psi (1.0 MPa)											
Test pressure	300 psi (2.0 MPa)											
Versions												
Cap and back panel	sheet steel											
Color	alpine white											
Dimensions												
Height	14 1/2" (369 mm)											
Width	16 3/8" (420 mm)											
Depth	4 5/8" (117 mm)											
Weights												
Weight	13.5 lbs (6.1 kg)		16.1 lbs (7.3 kg)		16.1 lbs (7.3 kg)		16.1 lbs (7.3 kg)		19 lbs (8.6 kg)		19 lbs (8.6 kg)	

¹ This is our recommendation for overcurrent protection sized at 100% of load. Check local codes for compliance if necessary.

² Copper conductors with a temperature rating of 75 °C or greater must be used. Conductors should be sized to maintain a voltage drop of less than 3% under load.

³ Requires a 150 A main service.

⁴ Requires a 200 A main service.

⁵ Requires a 300 A main service.

⁶ 29 Trend & 36 Trend may be wired for balanced 3-phase 208 V. 15 Trend, 20 Trend, 24 Trend may be wired for unbalanced 3-phase 208 V.

INSTALLATION TECHNICAL DATA

13.2 Tempra Plus

	Tempra 12 Plus	Tempra 15 Plus	Tempra 20 Plus	Tempra 24 Plus ³	Tempra 29 Plus ⁴	Tempra 36 Plus ⁵
Part number	239219	239220	239221	239222	239223	239225
Electrical details						
Phase	single 50/60 Hz	single ⁶ 50/60 Hz	single ⁶ 50/60 Hz	single ⁶ 50/60 Hz	single ⁶ 50/60 Hz	single ⁶ 50/60 Hz
Voltage	240 V 208 V	240 V 208 V	240 V 208 V	240 V 208 V	240 V 208 V	240 V 208 V
Wattage	12 kW 9 kW	14.4 kW 10.8 kW	19.2 kW 14.4 kW	24 kW 18 kW	28.8 kW 21.6 kW	36 kW 27 kW
Max. amp. load	1 x 50 A 1 x 44 A	2 x 30 A 2 x 26 A	2 x 40 A 2 x 35 A	2 x 50 A 2 x 44 A	3 x 40 A 3 x 35 A	3 x 50 A 3 x 44 A
Number & min. recommended size of circuit breakers ¹ (DP)						
	1 x 50 A	2 x 30 A	2 x 40 A 2 x 35 A	2 x 50 A	3 x 40 A 3 x 35 A	3 x 50 A
Power connection	1/GRD	2/GRD	2/GRD	2/GRD	3/GRD	3/GRD
Min. recommended wire size (copper) ²	1 x 8/2 AWG	2 x 10/2 AWG	2 x 8/2 AWG	2 x 8/2 AWG	3 x 8/2 AWG	3 x 8/2 AWG
Connections						
Water connection	3/4" NPT					
Max. cold water temperature	108 °F (42 °C)					
Hydraulic data						
Rated capacity	0.13 gal (0.5 l)	0.26 gal (1.0 l)	0.26 gal (1.0 l)	0.26 gal (1.0 l)	0.39 gal (1.5 l)	0.39 gal (1.5 l)
Values						
Min. water flow to activate unit	0.37 gpm (1.4 l/min)	0.5 gpm (1.9 l/min)	0.5 gpm (1.9 l/min)	0.5 gpm (1.9 l/min)	0.77 gpm (2.9 l/min)	0.77 gpm (2.9 l/min)
Max. permissible inlet temperature	131 °F (55 °C)					
Application limits						
Min. permissible pressure	30 psi (0.2 MPa)					
Max. permissible pressure	150 psi (1.0 MPa)					
Test pressure	300 psi (2.0 MPa)					
Versions						
Cap and back panel	sheet steel					
Color	alpine white					
Dimensions						
Height	14 1/2" (369 mm)					
Width	16 5/8" (420 mm)					
Depth	4 3/8" (117 mm)					
Weights						
Weight	13.5 lbs (6.1 kg)	16.1 lbs (7.3 kg)	16.1 lbs (7.3 kg)	16.1 lbs (7.3 kg)	19 lbs (8.6 kg)	19 lbs (8.6 kg)

¹ This is our recommendation for overcurrent protection sized at 100% of load. Check local codes for compliance if necessary.

² Copper conductors with a temperature rating of 75 °C or greater must be used. Conductors should be sized to maintain a voltage drop of less than 3% under load.

³ Requires a 150 A main service.

⁴ Requires a 200 A main service.

⁵ Requires a 300 A main service.

⁶ Tempra 29 Plus & 36 Plus may be wired for balanced 3-phase 208 V. Tempra 15 Plus, 20 Plus, 24 Plus may be wired for unbalanced 3-phase 208 V.

INSTALLATION TECHNICAL DATA

13.3 Temp. increase above ambient water temp.

		Hot water flow rate [GPM]						Hot water flow rate [l/m]					
		Hot water outlet temperature 105 °F						Hot water outlet temperature 40 °C					
		Cold water inlet temp.	39 °F	59 °F	77 °F	95 °F	113 °F	131 °F	4 °C	15 °C	25 °C	35 °C	45 °C
Tempra 12 Trend / 12 Plus	9 kW @ 208 V	0.95	1.36	2.27	6.61	-	-	3.58	5.16	8.59	25.00	-	-
	12 kW @ 220-240 V	1.26	1.82	3.03	6.61	-	-	4.77	6.87	11.46	25.00	-	-
Tempra 15 Trend / 15 Plus	10.8 kW @ 208 V	1.14	1.63	2.72	6.61	-	-	4.30	6.19	10.31	25.00	-	-
	14.4 kW @ 220-240 V	1.51	2.18	3.63	6.61	-	-	5.73	8.25	13.75	25.00	-	-
Tempra 20 Trend / 20 Plus	14.4 kW @ 208 V	1.51	2.18	3.63	6.61	-	-	5.73	8.25	13.75	25.00	-	-
	19.2 kW @ 220-240 V	2.02	2.91	4.84	6.61	-	-	7.64	11.00	18.33	25.00	-	-
Tempra 24 Trend / 24 Plus	18 kW @ 208 V	1.89	2.72	4.54	6.61	-	-	7.16	10.31	17.18	25.00	-	-
	24 kW @ 220-240 V	2.52	3.63	6.05	6.61	-	-	9.55	13.75	22.91	25.00	-	-
Tempra 29 Trend / 29 Plus	21.6 kW @ 208 V	2.27	3.27	5.45	6.61	-	-	8.59	12.37	20.62	25.00	-	-
	28.8 kW @ 220-240 V	3.03	4.36	6.61	6.61	-	-	11.46	16.50	25.00	25.00	-	-
Tempra 36 Trend / 36 Plus	27 kW @ 208 V	2.84	4.09	6.61	6.61	-	-	10.74	15.47	25.00	25.00	-	-
	36 kW @ 220-240 V	3.78	5.45	6.61	6.61	-	-	14.32	20.62	25.00	25.00	-	-

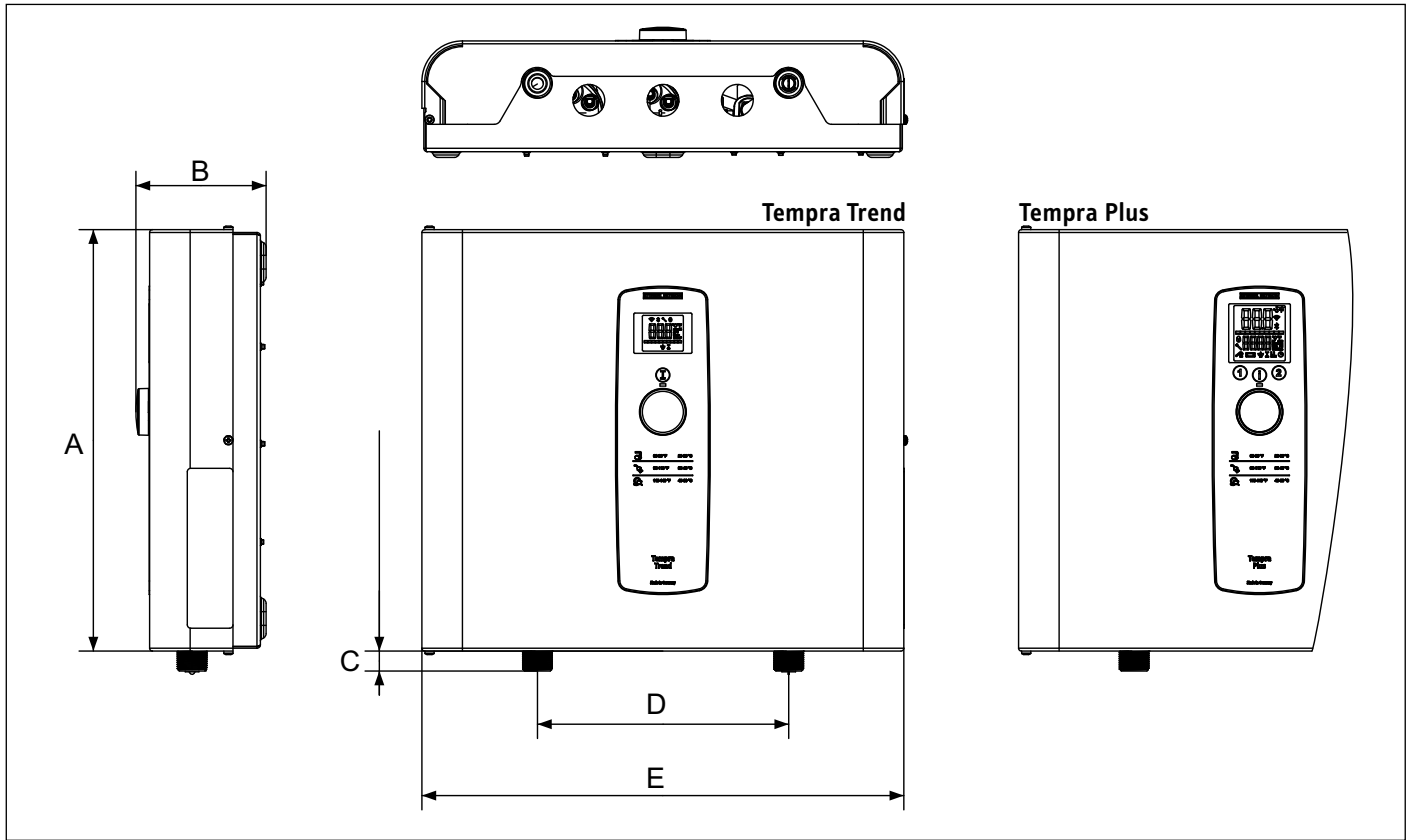
		Hot water flow rate [GPM]						Hot water flow rate [l/m]					
		Hot water outlet temperature 113 °F						Hot water outlet temperature 45 °C					
		Cold water inlet temp.	39 °F	59 °F	77 °F	95 °F	113 °F	131 °F	4 °C	15 °C	25 °C	35 °C	45 °C
Tempra 12 Trend / 12 Plus	9 kW @ 208 V	0.83	1.14	1.70	3.41	6.61	-	3.14	4.30	6.44	12.89	25.00	-
	12 kW @ 220-240 V	1.11	1.51	2.27	4.54	6.61	-	4.19	5.73	8.59	17.18	25.00	-
Tempra 15 Trend / 15 Plus	10.8 kW @ 208 V	1.00	1.36	2.04	4.09	6.61	-	3.77	5.16	7.73	15.47	25.00	-
	14.4 kW @ 220-240 V	1.33	1.82	2.72	5.45	6.61	-	5.03	6.87	10.31	20.62	25.00	-
Tempra 20 Trend / 20 Plus	14.4 kW @ 208 V	1.33	1.82	2.72	5.45	6.61	-	5.03	6.87	10.31	20.62	25.00	-
	19.2 kW @ 220-240 V	1.77	2.45	3.63	6.61	6.61	-	6.71	9.16	13.75	25.00	25.00	-
Tempra 24 Trend / 24 Plus	18 kW @ 208 V	1.66	2.27	3.41	6.61	6.61	-	6.29	8.59	12.89	25.00	25.00	-
	24 kW @ 220-240 V	2.21	3.03	4.54	6.61	6.61	-	8.38	11.46	17.18	25.00	25.00	-
Tempra 29 Trend / 29 Plus	21.6 kW @ 208 V	1.99	2.72	4.09	6.61	6.61	-	7.54	10.31	15.47	25.00	25.00	-
	28.8 kW @ 220-240 V	2.66	3.63	5.45	6.61	6.61	-	10.06	13.75	20.62	25.00	25.00	-
Tempra 36 Trend / 36 Plus	27 kW @ 208 V	2.49	3.41	5.11	6.61	6.61	-	9.43	12.89	19.33	25.00	25.00	-
	36 kW @ 220-240 V	3.32	4.54	6.61	6.61	6.61	-	12.57	17.18	25.00	25.00	25.00	-

		Hot water flow rate [GPM]						Hot water flow rate [l/m]					
		Hot water outlet temperature 140 °F						Hot water outlet temperature 60 °C					
		Cold water inlet temp.	39 °F	59 °F	77 °F	95 °F	113 °F	131 °F	4 °C	15 °C	25 °C	35 °C	45 °C
Tempra 12 Trend / 12 Plus	9 kW @ 208 V	0.61	0.76	0.97	1.36	2.27	6.61	2.30	2.86	3.68	5.16	8.59	25.00
	12 kW @ 220-240 V	0.81	1.01	1.30	1.82	3.03	6.61	3.07	3.82	4.91	6.87	11.46	25.00
Tempra 15 Trend / 15 Plus	10.8 kW @ 208 V	0.73	0.91	1.17	1.63	2.72	6.61	2.76	3.44	4.42	6.19	10.31	25.00
	14.4 kW @ 220-240 V	0.97	1.21	1.56	2.18	3.63	6.61	3.68	4.58	5.89	8.25	13.75	25.00
Tempra 20 Trend / 20 Plus	14.4 kW @ 208 V	0.97	1.21	1.56	2.18	3.63	6.61	3.68	4.58	5.89	8.25	13.75	25.00
	19.2 kW @ 220-240 V	1.30	1.61	2.08	2.91	4.84	6.61	4.91	6.11	7.86	11.00	18.33	25.00
Tempra 24 Trend / 24 Plus	18 kW @ 208 V	1.22	1.51	1.95	2.72	4.54	6.61	4.60	5.73	7.36	10.31	17.18	25.00
	24 kW @ 220-240 V	1.62	2.02	2.59	3.63	6.05	6.61	6.14	7.64	9.82	13.75	22.91	25.00
Tempra 29 Trend / 29 Plus	21.6 kW @ 208 V	1.46	1.82	2.33	3.27	5.45	6.61	5.52	6.87	8.84	12.37	20.62	25.00
	28.8 kW @ 220-240 V	1.95	2.42	3.11	4.36	6.61	6.61	7.36	9.16	11.78	16.50	25.00	25.00
Tempra 36 Trend / 36 Plus	27 kW @ 208 V	1.82	2.27	2.92	4.09	6.61	6.61	6.90	8.59	11.05	15.47	25.00	25.00
	36 kW @ 220-240 V	2.43	3.03	3.89	5.45	6.61	6.61	9.21	11.46	14.73	20.62	25.00	25.00

INSTALLATION TECHNICAL DATA

13.4 Dimensions

Tempra Trend / Tempra Plus



Dimensions

A $14\frac{1}{2}$ " (369 mm)

B $4\frac{1}{2}$ " (114 mm)

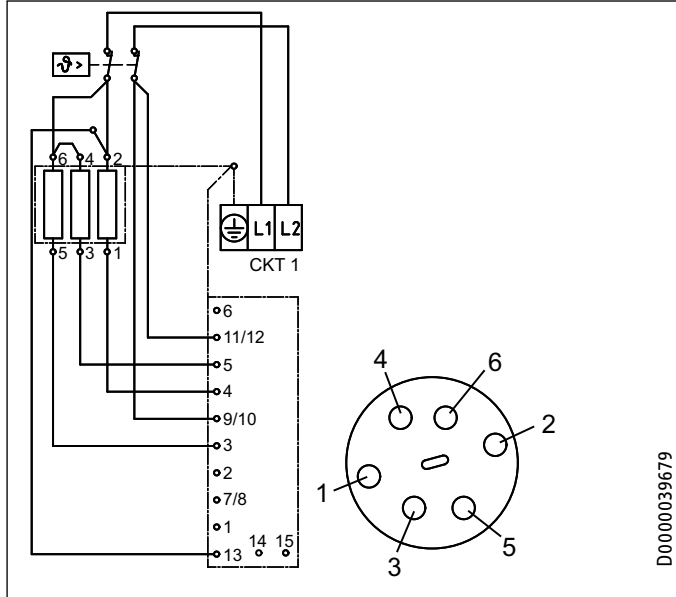
C $\frac{3}{4}$ " (18 mm)

D $8\frac{11}{16}$ " (220 mm)

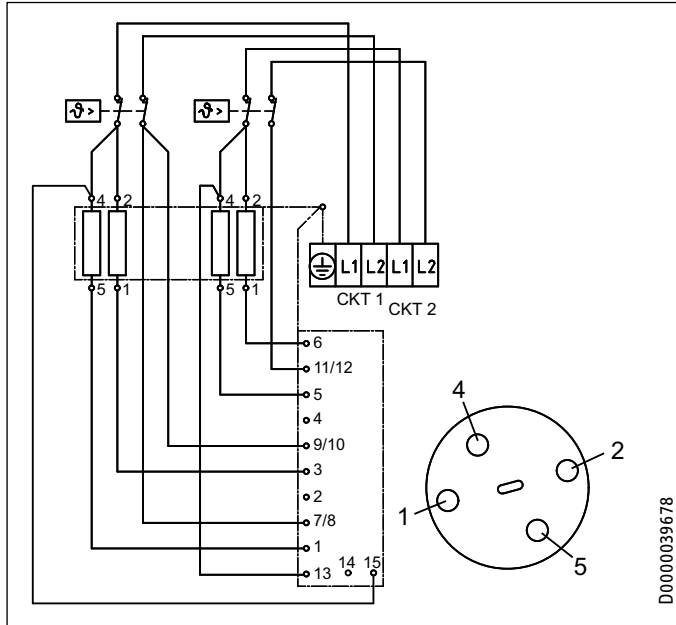
E $16\frac{1}{2}$ " (422 mm)

13.5 Wiring diagrams

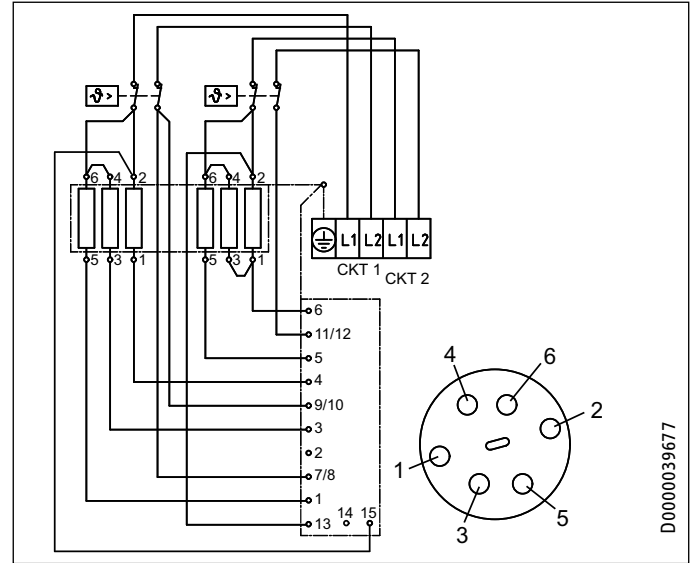
13.5.1 Tempra 12 Trend / Plus



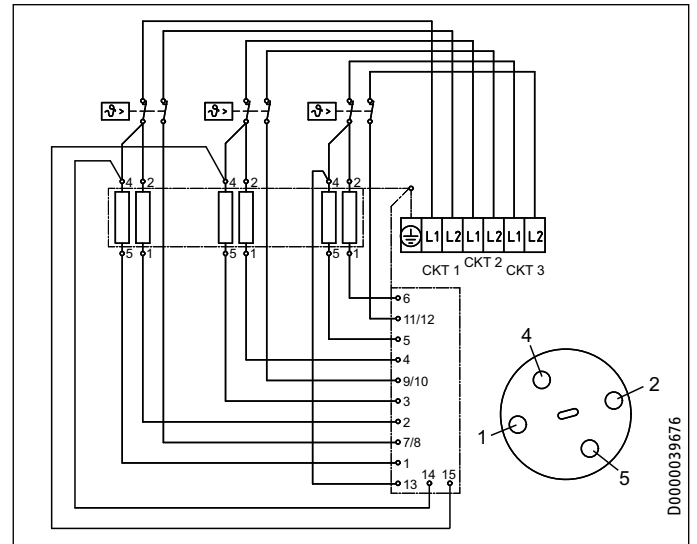
13.5.2 Tempra 15, 20 Trend / Plus



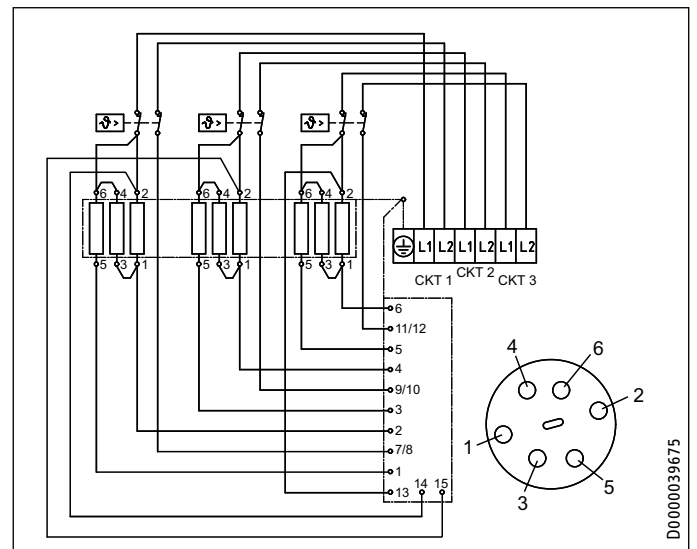
13.5.3 Tempra 24 Trend / Plus



13.5.4 Tempra 29 Trend / Plus



13.5.5 Tempra 36 Trend / Plus



INSTALLATION

SPARE PARTS

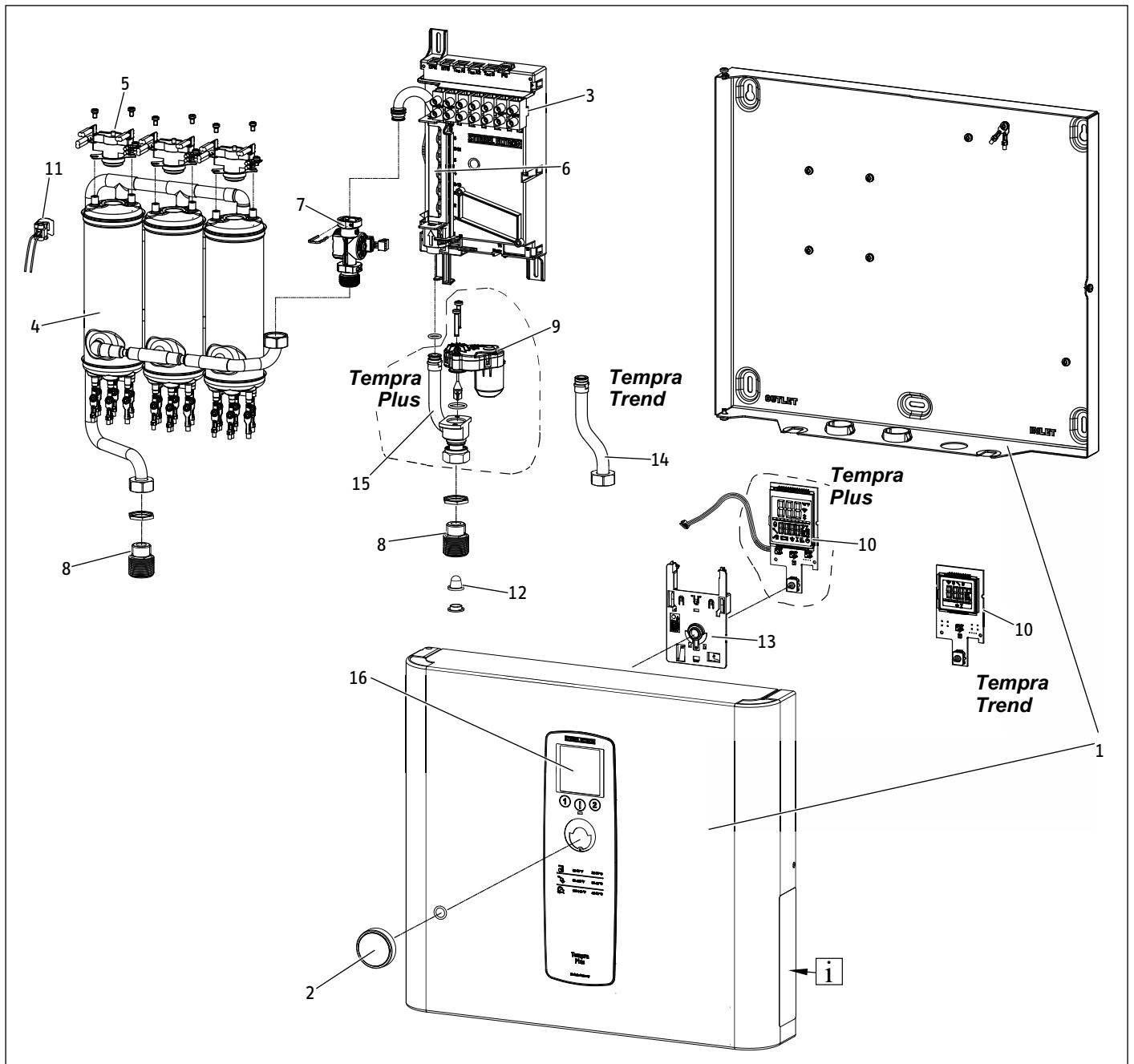
14. Spare parts

	Spare part No.						
	1	2	3	4	5	6	7
	Housing	Temp. control knob	Wiring block	Heating system	Safety thermal cutout	Electronic control device	Flow sensor
Tempra 12 Trend	331894	323686	279998	286360	286369	286375	286461
Tempra 15 Trend	331894	323686	279997	286361	286369	286845	286461
Tempra 20 Trend	331894	323686	279997	286362	286369	286845	286461
Tempra 24 Trend	331894	323686	279997	286364	286369	286376	286461
Tempra 29 Trend	331894	323686	279996	286373	286369	286378	286461
Tempra 36 Trend	331894	323686	279996	286374	286369	286379	286461
Tempra 12 Plus	331926	323686	279998	286360	286369	286375	286461
Tempra 15 Plus	331926	323686	279997	286361	286369	286845	286461
Tempra 20 Plus	331926	323686	279997	286362	286369	286845	286461
Tempra 24 Plus	331926	323686	279997	286364	286369	286376	286461
Tempra 29 Plus	331926	323686	279996	286373	286369	286378	286461
Tempra 36 Plus	331926	323686	279996	286374	286369	286379	286461

	Spare part No.						
	8	9	10	11	12	13	14
	Plumbing connection 3/4"	Advanced Flow Control	Electronic temp. control	Temperature sensor	Filter screen	Set point case	Inlet pipe elbow
Tempra 12 Trend	278698	---	331933	280677	056755	326141	278695
Tempra 15 Trend	278698	---	331933	280677	056755	326141	278695
Tempra 20 Trend	278698	---	331933	280677	056755	326141	278695
Tempra 24 Trend	278698	---	331933	280677	056755	326141	278695
Tempra 29 Trend	278698	---	331933	280677	056755	326141	278695
Tempra 36 Trend	278698	---	331933	280677	056755	326141	278695
Tempra 12 Plus	278698	220502	331934	280677	056755	326141	---
Tempra 15 Plus	278698	220502	331934	280677	056755	326141	---
Tempra 20 Plus	278698	220502	331934	280677	056755	326141	---
Tempra 24 Plus	278698	220502	331934	280677	056755	326141	---
Tempra 29 Plus	278698	220502	331934	280677	056755	326141	---
Tempra 36 Plus	278698	220502	331934	280677	056755	326141	---

	Spare part No.	
	15	16
	Valve assembly	LCD Display
Tempra 12 Trend	---	331933
Tempra 15 Trend	---	331933
Tempra 20 Trend	---	331933
Tempra 24 Trend	---	331933
Tempra 29 Trend	---	331933
Tempra 36 Trend	---	331933
Tempra 12 Plus	280622	331934
Tempra 15 Plus	280622	331934
Tempra 20 Plus	280622	331934
Tempra 24 Plus	280622	331934
Tempra 29 Plus	280622	331934
Tempra 36 Plus	280622	331934

INSTALLATION SPARE PARTS



15. Warranty

Subject to the terms and conditions set forth in this limited warranty, Stiebel Eltron, Inc. (the "Manufacturer") hereby warrants to the original purchaser (the "Owner") that each Tankless Electric Domestic Hot Water Heater (the "Heater") shall not (i) leak due to defects in the Manufacturer's materials or workmanship for a period of seven (7) years from the date of purchase or (ii) fail due to defects in the Manufacturer's materials or workmanship for a period of three (3) years from the date of purchase. As Owner's sole and exclusive remedy for breach of the above warranty, Manufacturer shall, at the Manufacturer's discretion, send replacement parts for local repair; retrieve the unit for factory repair, or replace the defective Heater with a replacement unit with comparable operating features. Manufacturer's maximum liability under all circumstances shall be limited to the Owner's purchase price for the Heater.

This limited warranty shall be the exclusive warranty made by the Manufacturer and is made in lieu of all other warranties, express or implied, whether written or oral, including, but not limited to warranties of merchantability and fitness for a particular purpose. Manufacturer shall not be liable for incidental, consequential or contingent damages or expenses arising directly or indirectly from any defect in the Heater or the use of the Heater. Manufacturer shall not be liable for any water damage or other damage to property of Owner arising, directly or indirectly, from any defect in the Heater or the use of the Heater. Manufacturer alone is authorized to make all warranties on Manufacturer's behalf and no statement, warranty or guarantee made by any other party shall be binding on Manufacturer.

Manufacturer shall not be liable for any damage whatsoever relating to or caused by:

1. any misuse or neglect of the Heater, any accident to the Heater, any alteration of the Heater, or any other unintended use;
2. acts of God and circumstances over which Manufacturer has no control;

3. installation of the Heater other than as directed by Manufacturer and other than in accordance with applicable building codes;
4. failure to maintain the Heater or to operate the Heater in accordance with the Manufacturer's specifications;
5. operation of the Heater under fluctuating water pressure or in the event the Heater is supplied with non-potable water, for any duration;
6. improper installation and/or improper materials used by any installer and not relating to defects in parts or workmanship of Manufacturer;
7. moving the Heater from its original place of installation;
8. exposure to freezing conditions;
9. water quality issues such as corrosive water, hard water, and water contaminated with pollutants or additives;

Should owner wish to return the Heater to manufacturer for repair or replacement under this warranty, Owner must first secure written authorization from Manufacturer. Owner shall demonstrate proof of purchase, including a purchase date, and shall be responsible for all removal and transportation costs. If Owner cannot demonstrate a purchase date this warranty shall be limited to the period beginning from the date of manufacture stamped on the Heater. Manufacturer reserves the right to deny warranty coverage upon Manufacturer's examination of Heater. This warranty is restricted to the Owner and cannot be assigned.

Some States and Provinces do not allow the exclusion or limitation of certain warranties. In such cases, the limitations set forth herein may not apply to the Owner. In such cases this warranty shall be limited to the shortest period and lowest damage amounts allowed by law. This warranty gives you specific legal rights and you may also have other rights which vary from State to State or Province to Province.

Owner shall be responsible for all labor and other charges incurred in the removal or repair of the Heater in the field. Please also note that the Heater must be installed in such a manner that if any leak does occur, the flow of water from any leak will not damage the area in which it is installed.



The installation, electrical connection and first operation of this appliance should be carried out by a qualified installer.



The company does not accept liability for failure of any goods supplied which have not been installed and operated in accordance with the manufacturer's instructions.

Environment and recycling

Please help us to protect the environment by disposing of the packaging in accordance with the national regulations for waste processing.

This Warranty is valid for U.S.A. & Canada only. Warranties may vary by country. Please consult your local Stiebel Eltron Representative for the Warranty for your country.

OPERACIÓN

1.	Información general	23
2.	Seguridad	23
2.1	Uso previsto	23
2.2	Medidas de seguridad	24
2.3	Sello de certificación	24
2.4	Autorizaciones	24
3.	Registre su producto	24
4.	Generalidades	24
4.1	Apariencia general	25
5.	Utilización de la pantalla	26
5.1	Datos introducidos por el usuario	26
5.2	Entrada de usuario de Tempra Trend	26
5.3	Pantalla de Tempra Plus	27

INSTALACIÓN

6.	Configuración de la instalación	31
6.1	Instalación residencial típica	31
6.2	Instalación comercial típica	31
7.	Montaje de la unidad	31
7.1	Dimensiones de montaje	31
7.2	Instrucciones de montaje	31
8.	Conexiones de agua	32
9.	Conexión eléctrica	33
9.1	Diagramas de circuitos	33
9.2	Conexión del circuito	35
9.3	Bloque de terminales	35
10.	Puesta en servicio del calentador de agua	35
11.	Mantenimiento normal	35
12.	Solución de problemas	35
12.1	Informes de códigos de error de Tempra Plus	36
12.2	Restableciendo del corte térmico de seguridad	36
13.	Datos técnicos	37
13.1	Tempra Trend	37
13.2	Tempra Plus	38
13.3	Aumento máximo de temperatura del agua fría entrante	39
13.4	Dimensiones	40
13.5	Diagrama eléctrico	41
14.	Repuestos	42
15.	Garantía	44

OPERACIÓN

1. Información general

Es importante leer y cumplir cuidadosamente todas las indicaciones del presente manual de servicio. De no seguir las indicaciones, normas y reglas detalladas se pueden causar daños personal y/o materiales. Errores, cambios de lo indicado en la instalación, ajuste, alteraciones, tipo de servicio y uso de esta unidad pueden provocar serios daños personales.

Se requiere que la instalación de esta unidad sea efectuada por un electricista y plomero profesionales. Una vez terminada la instalación debe cumplir con todas las normas y códigos locales y nacionales. La adecuada instalación es responsabilidad del usuario. El no cumplir con las instrucciones de instalación o el uso inapropiado anula la garantía.

Este manual de instrucciones debe estar guardado para referencia. El contratista instalador debe dejar este manual con el dueño/usuario del equipo.

Si hay alguna(s) pregunta(s) sobre la instalación, uso o funcionamiento de este calentador de agua, o si se requieren copias adicionales de este manual, favor llamar a nuestro teléfono de servicio (800) 582-8423 (solo en los EE.UU. y Canadá). Si Ud. está ubicado afuera de los EE.UU. y Canadá favor llamarnos al teléfono ++ (413) 247-3380 y nosotros les dirigimos al centro de servicio Stiebel Eltron autorizado más cercano.



Este es el símbolo / advertencia de seguridad. Se utiliza para alertarles de riesgos y peligros potenciales referentes a su seguridad personal, hay que seguir todos los mensajes de advertencia para evitar posibles lesiones personales y peligros que pueden causar hasta la muerte.

2. Seguridad

Observe las siguientes indicaciones y normas de seguridad.

El equipo sólo debe utilizarse después de haber sido instalado completamente y con todos los dispositivos de seguridad.

2.1 Uso previsto

El aparato está previsto para el calentamiento del agua potable y puede abastecer varios puntos de extracción.

Todo uso adicional a la información que aquí se describe será considerado inadecuado y podría invalidar la garantía de los fabricantes.

Además, el obediencia de las presentes instrucciones forma parte del uso previsto de este aparato.

OPERACIÓN

REGISTRE SU PRODUCTO

2.2 Medidas de seguridad



ADVERTENCIA: Peligro de lesiones
Lea y obedezca las siguientes instrucciones.
El desobedecimiento de esta información puede conllevar graves lesiones o la muerte.



DAÑOS EN EL APARATO Y AL MEDIO AMBIENTE:
Este aparato debe ser instalado por un técnico autorizado. La instalación debe cumplir toda la normativa nacional, regional y local.
El mantenimiento del aparato debe ser realizado por técnicos autorizados.



PELIGRO: Electrocutación
Antes de llevar a cabo cualquier tarea de instalación, ajuste, modificación o mantenimiento de este aparato deben desconectarse todos los interruptores de potencia y seccionadores de alimentación eléctrica del aparato. Sólo podrá retirar la cubierta del aparato si se ha interrumpido la alimentación eléctrica del aparato. El desobedecimiento de estas indicaciones puede conllevar lesiones físicas o la muerte.
El aparato debe conectarse a tierra adecuadamente. Si no se conecta a tierra el producto pueden producirse graves lesiones físicas o incluso la muerte.



PELIGRO: Quemaduras
Las temperaturas del agua que superen los 52 °C (125 °F) pueden causar quemaduras graves repentinas o incluso la muerte por escaldamiento. El peligro de escaldamiento con agua caliente existe si el termostato del aparato presenta un ajuste demasiado alto. En hogares con niños pequeños, personas discapacitadas o personas mayores puede ser necesario ajustar el termostato a 45 °C (113 °F) o menos para evitar lesiones físicas por agua caliente.



ADVERTENCIA: Peligro de lesiones
Si niños o personas con discapacidad física, sensorial o mentalmente, operan el aparato debe asegurarse de que dicha operación se realice después de haber recibido la instrucción adecuada por una persona a su cargo.
En el caso de los niños debe procurar que no jueguen con el aparato.

2.3 Sello de certificación

Consulte la placa de especificaciones del aparato.

2.4 Autorizaciones

- UL (EE.UU.) Est. 499
- CSA (Canadá) Est. C22.2 No.88
- NSF/ANSI 372.

3. Registre su producto



Debe registrar este producto en un plazo de 90 días desde la compra a través de nuestra página web para activar cualquier garantía estándar o para optar a la ampliación de la garantía. Visite nuestra página web www.stiebel-eltron-usa.com y haga clic en "Registre su producto".

Antes de comenzar el proceso de registro, le sugerimos que recopile la siguiente información que necesitará:

Modelo; ejemplo: Tempra 24 Plus (La placa de identificación se encuentra arriba de la conexión de salida de agua caliente ("DHW outlet"))

Número que se indica después de "Nr."

Lugar de compra

Fecha de compra

Nombre y apellido

Dirección de email

Dirección postal

Número de teléfono

Fecha de instalación

Si tiene alguna pregunta en relación con el proceso de registro o con las opciones de garantía, por favor, póngase en contacto directamente con Stiebel Eltron USA en el número de teléfono (800)-582-8423.

4. Generalidades

Las unidades Tempra Trend y Tempra Plus han sido diseñadas para suministrar agua caliente para viviendas unifamiliares, apartamentos o determinadas aplicaciones comerciales. A diferencia del acumulador convencional, el calentador de agua sin depósito Tempra no almacena agua caliente. En lugar de ello, el agua se calienta de forma instantánea a medida que pasa a través de la unidad. El Tempra ofrece mayor rendimiento energético que los calentadores de agua de almacenamiento, debido a la ausencia de pérdidas en stand-by y a unas longitudes menores de tubería de agua caliente.

La entrada de calor en el agua se controla electrónicamente. El Tempra es capaz de proporcionar cualquier temperatura del agua entre 20 °C (68 °F) y 60 °C (140 °F). Ajuste la temperatura deseada utilizando el botón del panel delantero. El botón de ajuste de temperatura Tempra puede ajustarse en: OFF, 20-60 °C (68-140 °F). La temperatura máxima está limitada electrónicamente a 60 °C (140 °F).

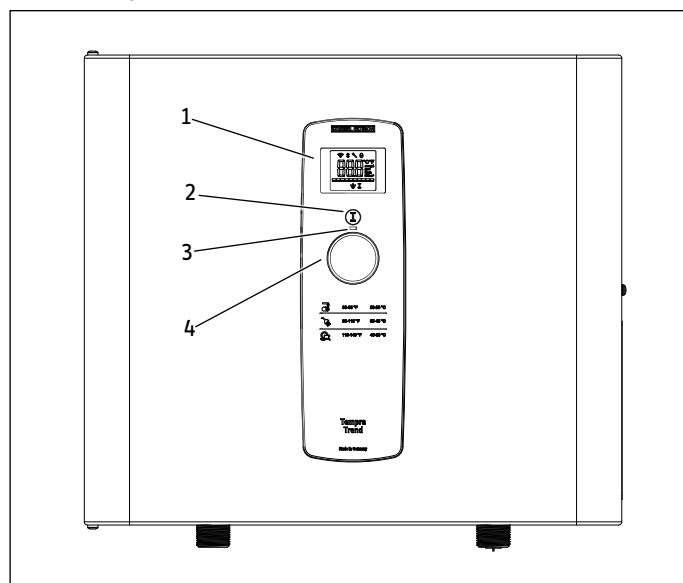
Por razones de eficiencia y vida útil (calcificación) del aparato, el rango de ajuste óptimo de la temperatura está entre 30 °C (86 °F) y 50 °C (120 °F).

El calentador de agua Tempra cuenta con una pantalla integrada que permite la personalización del usuario y el feedback de información del producto.

OPERACIÓN GENERALIDADES

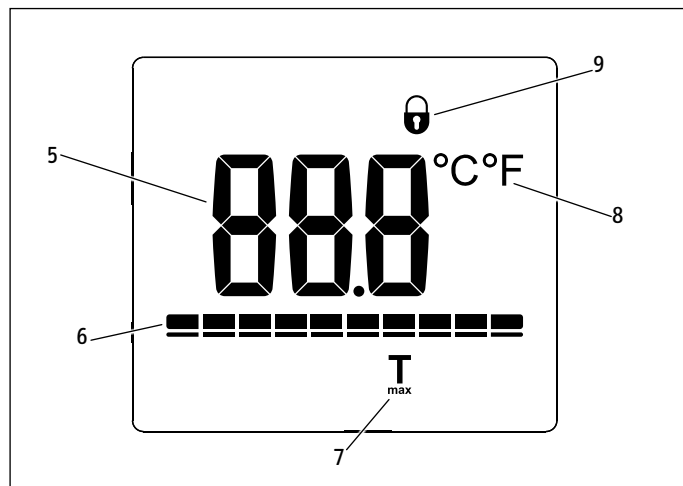
4.1 Apariencia general

4.1.1 Tempra Trend



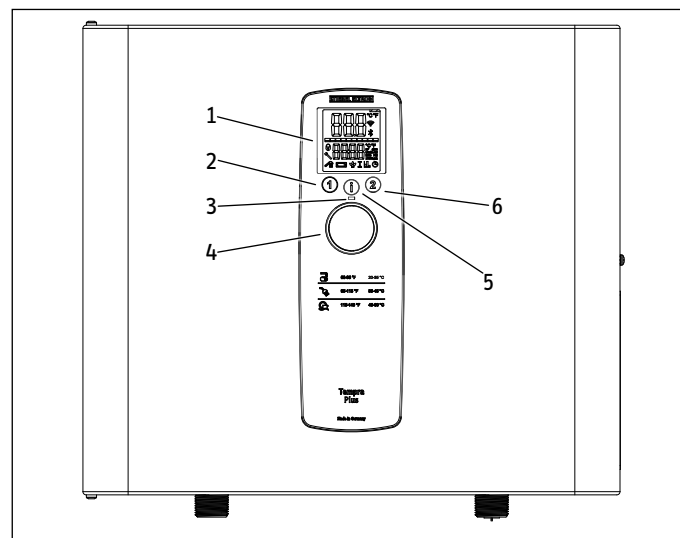
- 1 Pantalla
- 2 Botón de T_{max}
- 3 LED de estado de energía
- 4 Perilla de control

Generalidades de la pantalla Tempra Trend



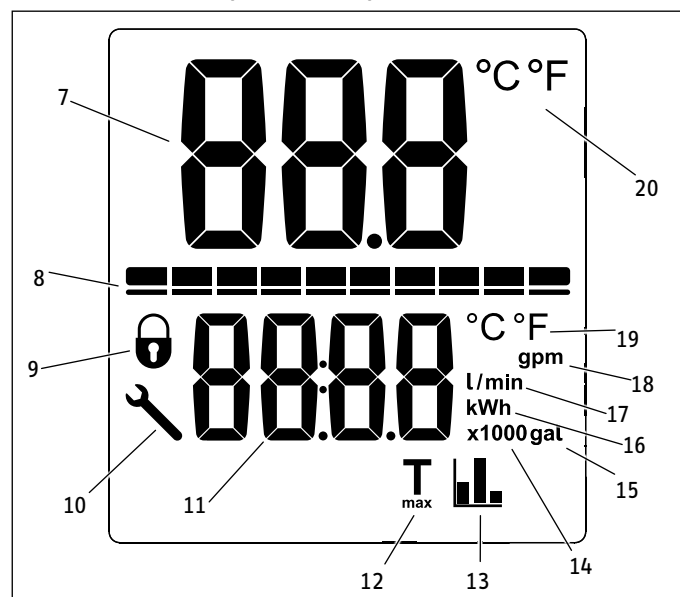
- 5 Pantalla de dígitos
- 6 Estado de la capacidad de potencia
- 7 Indicador T_{max}
- 8 Indicador de temperatura
- 9 Indicador de bloqueo de la pantalla

4.1.2 Tempra Plus



- 1 Pantalla
- 2 Preselección 1
- 3 LED de estado de energía
- 4 Perilla de control
- 5 Botón de información
- 6 Preselección 2

Generalidades de la pantalla Tempra Plus



- 7 Pantalla de dígitos primarios
- 8 Estado de la capacidad de potencia
- 9 Indicador de bloqueo de la pantalla
- 10 Símbolo de código de error
- 11 Pantalla de dígitos secundarios
- 12 Indicador T_{max}
- 13 Indicador estadístico de ahorro
- 14 Valor x1000 para la pantalla secundaria
- 15 Unidad de galones para la pantalla secundaria
- 16 Unidad de kWh para la pantalla secundaria
- 17 Unidad de litros y litros por minuto para la pantalla secundaria
- 18 Unidad de galones por minuto para la pantalla secundaria
- 19 Unidad de temperatura para la pantalla secundaria
- 20 Unidad de temperatura para la pantalla primaria

5. Utilización de la pantalla


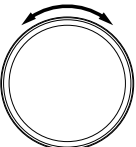
5.1 Datos introducidos por el usuario

Tempra Trend y Tempra Plus cuentan con una pantalla interactiva que facilita la configuración del calentador de agua y potencia el nivel de comodidad para el usuario.

La estructura del menú está diseñada de manera intuitiva y lineal para que sea lo más navegable posible.




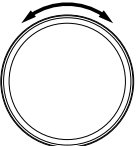
5.1.1 Entrada de usuario de Tempra Trend

Entrada de usuario

	Botón de T_{max}
	Perilla de control (gire la perilla para cambiar la configuración)

5.1.2 Entrada de usuario de Tempra Plus

Entrada de usuario

	Botón de información
	Botón de preselección 1
	Botón de preselección 2
	Perilla de control (gire la perilla para cambiar la configuración)

5.2 Entrada de usuario de Tempra Trend

La pantalla del Tempra Trend muestra la temperatura y la capacidad de potencia. La pantalla cuenta con retroiluminación y se enciende cuando detecta datos de entrada del usuario. La luz de fondo se apagará y desactivará si no se ha detectado ninguna entrada de usuario durante 15 segundos.

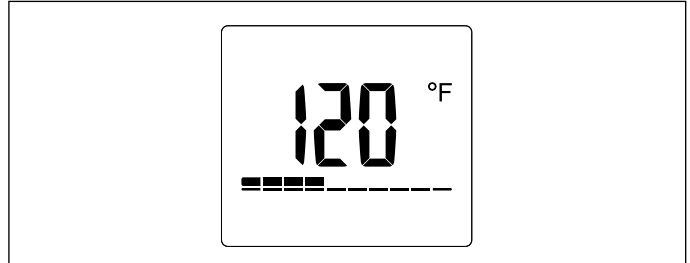
Para consultar el nombre de cada componente de la pantalla del Tempra Trend, vea la sección 4.1.1, pág. 25.

5.2.1 Pantalla base

La pantalla base muestra el valor de consigna de temperatura actual en la unidad de temperatura que prefiera. La barra debajo de la temperatura muestra la capacidad operativa actual. A medida que la demanda de agua caliente fluctúa, el estado de la capacidad de potencia cambiará para mostrar entre 0 y 10 segmentos.

La siguiente pantalla muestra que el calentador de agua funciona al 40 % de su capacidad.

Todas las demás pantallas del menú volverán a la pantalla base después de un período de 15 segundos sin la entrada del usuario o después de mantener pulsado el botón T_{max} durante 5 segundos.



Cambio de la temperatura de consigna

La temperatura de consigna puede ajustarse entre 20 °C (68 °F) y 60 °C (140 °F).

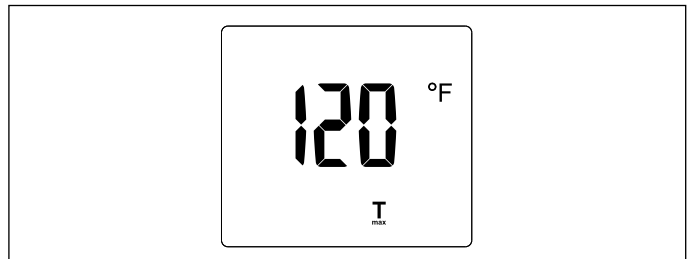
Se puede subir la temperatura girando la perilla de control hacia la derecha y puede bajarse girando la perilla hacia la izquierda. El calentador de agua puede desactivarse aún cuando está encendido al girar la perilla de control hacia la izquierda, pasando el ajuste de 20 °C (68 °F).

5.2.2 Menú de parámetros

Mientras se encuentre en la pantalla base, si mantiene pulsado el botón T_{max} durante 5 segundos, la pantalla avanzará al primer menú de parámetros.

Ajuste de parámetros T_{max}

El primer menú de parámetros fija el valor para T_{max} . El valor de T_{max} actúa como limitador de temperatura alta. Si se ajusta el valor T_{max} , el punto de ajuste del calentador de agua no puede ajustarse por encima del valor T_{max} . Esta función es útil en situaciones donde hay riesgo de quemaduras a causa de agua muy caliente.



En el menú de ajuste T_{max} , la pantalla comienza a parpadear, lo que indica que el valor puede modificarse girando la perilla de control. El valor T_{max} puede aumentarse girando la perilla de control hacia la derecha, y disminuirse girándola hacia la izquierda. El valor T_{max} puede desactivarse al girar la perilla de control hacia la izquierda, pasando el ajuste de 20 °C (68 °F). En la pantalla se indicará "Off" si el valor T_{max} está inactivo.

Si el símbolo T_{max} está visible en la pantalla base, entonces la función T_{max} se encuentra activa y, de esa manera, limita la temperatura máxima aceptable.

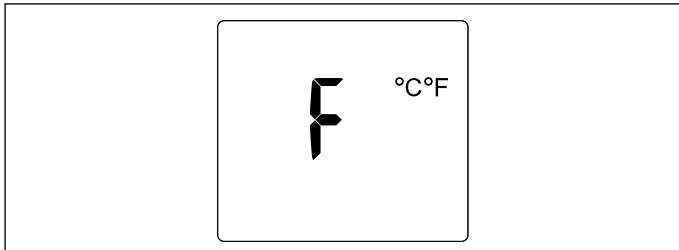
Al presionar una vez el botón de T_{max} en esta pantalla, se avanza al ajuste de parámetros de unidades de temperatura.

OPERACIÓN

UTILIZACIÓN DE LA PANTALLA

Ajuste de parámetros de unidades de temperatura

El calentador de agua Tempra Trend indica la temperatura en Fahrenheit o Celsius.

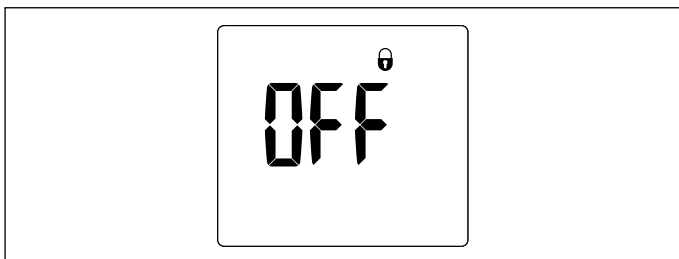


Se visualiza la unidad actual y la pantalla entera parpadea con el fin de indicar que el valor puede ser modificado. Para cambiar el valor de Fahrenheit a Celsius y viceversa, debe girarse la perilla de control.

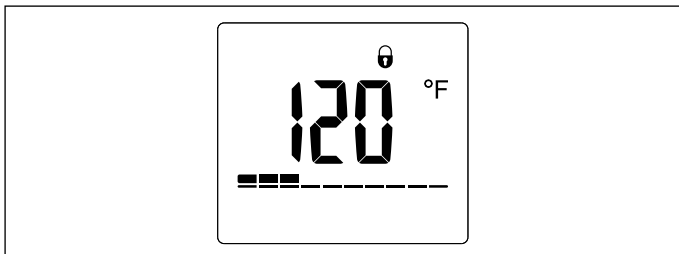
Al presionar una vez el botón de T_{max} en esta pantalla, se avanza al ajuste de parámetros de bloqueo de la pantalla.

Ajuste de parámetros de bloqueo de la pantalla

Es posible bloquear la pantalla para prevenir modificaciones en el punto de ajuste de la temperatura. Este menú parpadea, lo que indica que el valor puede modificarse girando la perilla de control. Cuando la pantalla señala "Off", el bloqueo no está activo. El bloqueo está activo cuando en la pantalla se indica "On".



Si el parámetro de bloqueo de la pantalla está configurado en "On" y el usuario sostiene el botón de T_{max} por 5 segundos o deja que la pantalla quede en pausa por 15 segundos, el bloqueo de la pantalla se activará.



Cuando el bloqueo de la pantalla está activo, aparece un ícono de candado en la pantalla principal y no se puede modificar ningún parámetro. Para desactivar el bloqueo, sostener el botón de T_{max} por 12 segundos. De esa manera, desaparecerá el ícono de candado de la pantalla y se podrán volver a modificar todos los parámetros.

Al presionar una vez el botón de T_{max} en el menú de configuración de parámetros de bloqueo de la pantalla se volverá al menú de configuración de parámetros de T_{max} .

Retorno a la pantalla base

Cuando se explora la pantalla y, en cualquier menú excepto en la pantalla base, al sostener el botón de T_{max} por 5 segundos se regresará a la pantalla base. Asimismo, se vuelve a la pantalla base luego de un período de 15 segundos sin que el usuario ingrese ningún dato.

5.3 Pantalla de Tempra Plus

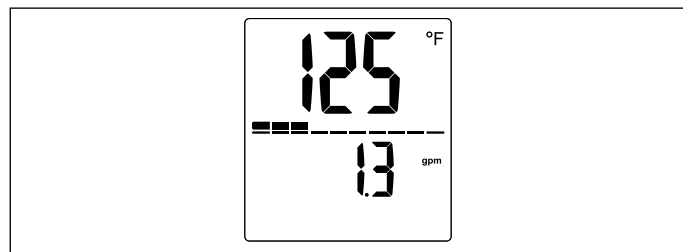
El calentador de agua Tempra Plus cuenta con un área de visualización primaria y secundaria, lo que permite que se indiquen varios parámetros o datos de información. El Tempra Plus señala el nivel de flujo existente de agua que pasa por el calentador de agua, como también calcula los ahorros de costo acumulados al tener un calentador de paso, en comparación con un calentador de agua con tanque.

Para consultar el nombre de cada componente de la pantalla del Tempra Plus, vea la sección 4.1.2, pág. 25.

5.3.1 Pantalla base

La pantalla base del Tempra Plus señala el valor nominal de temperatura actual en su unidad de temperatura preferida, en la parte superior de la pantalla. La barra que se encuentra debajo de la temperatura indica la fracción en curso de la capacidad total a la que funciona el calentador de agua. A medida que la demanda de agua fluctúa, el estado de capacidad de potencia se modifica e indica de 0 a 10 segmentos. La siguiente pantalla señala que el calentador de agua funciona al 30 % de su capacidad.

La parte inferior de la pantalla indica el nivel de flujo existente en el calentador de agua, ya sea en galones por minuto (gpm) o en litros por minuto (l/min).



El resto de las visualizaciones del menú volverán a la pantalla base luego de un período de 15 segundos sin recibir datos de entrada por parte del usuario o luego de mantener pulsado el botón de información por 5 segundos.

5.3.2 Menú de información

El sistema del menú de información indica datos adicionales para el usuario. Para acceder al menú de información, se debe presionar el botón de información en la pantalla base.

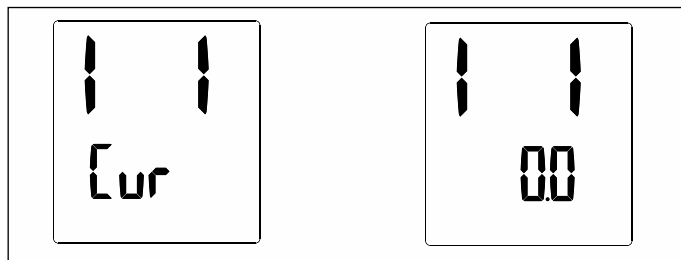
OPERACIÓN

UTILIZACIÓN DE LA PANTALLA

Pantalla de ahorro de costos acumulados

Al presionar el botón de información en la pantalla principal, se avanza a la pantalla de ahorro de costos acumulados. La pantalla de ahorros de costos acumulados indica "l1" en la parte superior de la pantalla y la parte inferior de la pantalla alterna entre "Cur" y los ahorros de costos acumulados del calentador de agua.

La función de ahorros de costo se actualiza diariamente y señala los ahorros aproximados que se le brinda al usuario, en comparación con la instalación de un calentador de agua con tanque.



Esta aproximación de ahorros de costo se basa en el gasto de electricidad que tiene el usuario. Para lograr una aproximación lo más precisa posible, el costo de electricidad por kWh debería establecerse en el menú de configuración de los parámetros de costo de la electricidad. Para consultar información sobre este paso, vea la sección Ajuste de parámetros de costos de electricidad, pág. 29.

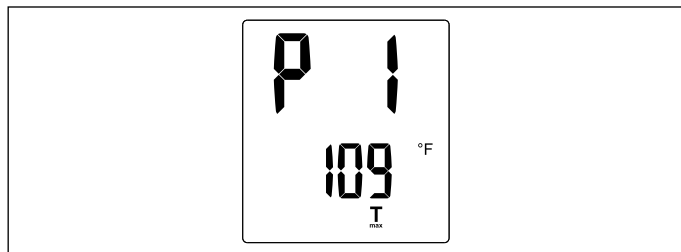
Al presionar el botón de información se vuelve a la pantalla base. También se regresará a la pantalla base si no se detecta ningún dato de entrada por parte del usuario durante 15 segundos.

5.3.3 Menú de parámetros

El menú de parámetros permite la modificación de varias configuraciones en el Tempra Plus. Se puede acceder al menú de parámetros sosteniendo el botón de información por 5 segundos.

Ajuste de parámetros T_{max}

El menú del primer parámetro configura el valor de T_{max} . El valor de T_{max} actúa como un limitador de altas temperaturas. Si el valor T_{max} está configurado, el valor predeterminado del calentador de agua no puede configurarse por arriba del valor T_{max} . Esta función es útil en situaciones donde hay riesgo de quemaduras a causa de agua muy caliente.



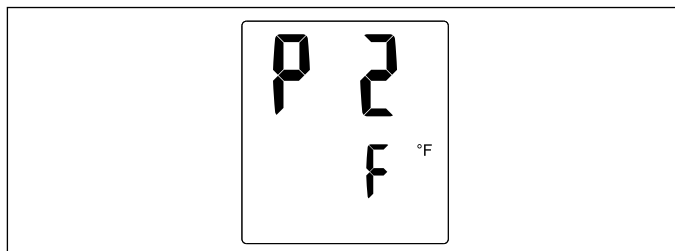
En el menú de ajuste de T_{max} , la pantalla parpadea, lo que indica que se puede cambiar el valor girando la perilla de control. El valor T_{max} puede aumentarse girando la perilla de control hacia la derecha y disminuirse girándola hacia la izquierda. El valor T_{max} puede desactivarse al girar la perilla de control hacia la izquierda, pasando la opción de 20 °C (68 °F). En la pantalla se indicará "Off" si el valor T_{max} está inactivo.

Si el símbolo T_{max} está visible en la pantalla principal, entonces la función T_{max} se encuentra activa y, de esa manera, limita la temperatura máxima aceptable.

Al presionar una vez el botón de información en esta pantalla, se avanza al ajuste de parámetros de unidades de temperatura.

Ajuste de parámetros de unidades de temperatura

El calentador de agua Tempra Plus indica la temperatura en Fahrenheit o Celsius.

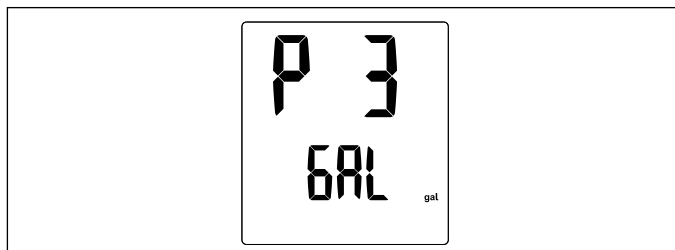


Se visualiza la unidad actual y el valor para la pantalla secundaria parpadea con el fin de indicar que se puede modificar tal valor. Para cambiar el valor de Fahrenheit a Celsius y viceversa, debe girarse la perilla de control.

Al presionar una vez el botón de información en esta pantalla, se avanza al ajuste de parámetros de unidades de volumen.

Ajuste de parámetros de unidades de volumen

El Tempra Plus indica los volúmenes o el flujo de volumen en galones por minuto (gpm) o litros por minuto (l/min).



Se indica la unidad actual de volumen y el valor parpadea con el fin de indicar que se puede modificar. Para cambiar el valor de galones por minuto a litros por minuto y viceversa, gire la perilla de control.

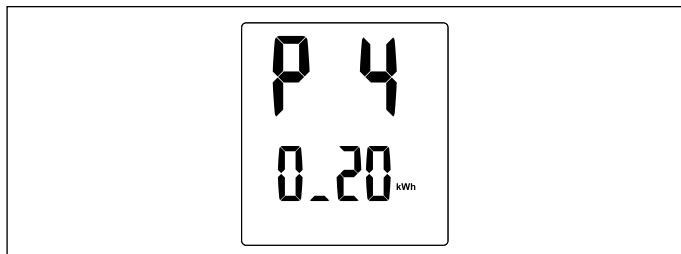
Al presionar una vez el botón de información en este menú, se avanza al ajuste de parámetros de costos de electricidad.

OPERACIÓN

UTILIZACIÓN DE LA PANTALLA

Ajuste de parámetros de costos de electricidad

El calentador de agua Tempra Plus tiene una función integrada que calcula el ahorro de energía del calentador de agua, en comparación con el uso promedio de energía de un calentador de agua con tanque. Para que esta función sea precisa, el costo por kWh de electricidad debe programarse en el software del aparato.

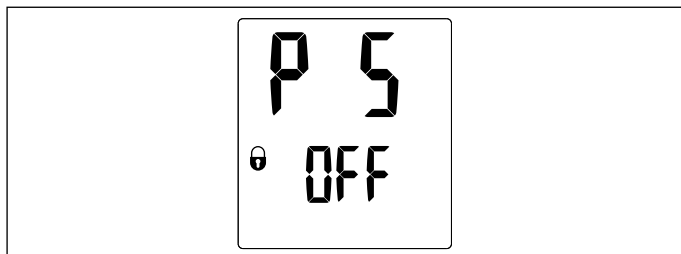


La pantalla secundaria parpadea para indicar que el valor puede modificarse girando la perilla de control. Revise su factura de electricidad para calcular el costo de electricidad.

Al presionar una vez el botón de información en este menú, se avanza al ajuste de parámetros de bloqueo de la pantalla.

Ajuste de parámetros de bloqueo de la pantalla

La pantalla puede bloquearse para prevenir una fácil alteración de la temperatura. El menú comienza a parpadear, lo que indica que el valor puede modificarse girando la perilla de control. Cuando aparece "Off", el bloqueo no está activo. La función de bloqueo está activa cuando en la pantalla se lee "On".



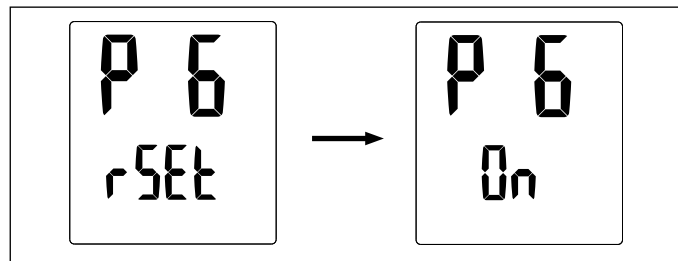
Si el parámetro de bloqueo de la pantalla está configurado en "On" y el usuario sostiene el botón de información por 5 segundos o deja que la pantalla quede en pausa por 15 segundos, el bloqueo de la pantalla pasará a estar activo.

Cuando el bloqueo de la pantalla está activo, aparece un ícono de candado en la pantalla principal y no se puede modificar ningún parámetro. Para desactivar el bloqueo, sostenga el botón de información por 12 segundos. De esa manera, desaparecerá el ícono de candado de la pantalla y se podrán volver a modificar todos los parámetros.

Al sostener una vez el botón de información en el menú de ajuste de parámetros de bloqueo de la pantalla, se avanza al menú de parámetros de reinicio a los ajustes de fábrica.

Parámetros de reinicio a los ajustes de fábrica

La temperatura nominal, los valores preestablecidos, la temperatura y las unidades de volumen pueden reiniciarse a los ajustes de fábrica.

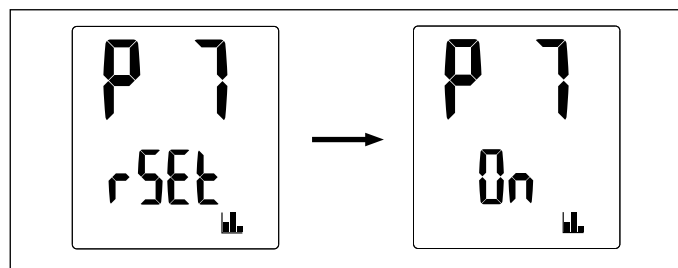


La pantalla en su totalidad comenzará a parpadear con el fin de indicar que el valor puede ser modificado girando la perilla de control. Cuando el valor está configurado en "On", debe confirmarse el reinicio sosteniendo tanto el Botón 1 como el Botón 2, al mismo tiempo, por 5 segundos.

Al presionar una vez el botón de información, se avanza al menú de parámetros de reinicio de ahorros de costos acumulados.

Parámetros de reinicio de ahorros de costos acumulados

Al igual que los parámetros de reinicio a los ajustes de fábrica, el valor calculado de los ahorros de costos acumulados puede reiniciarse en cero.



La pantalla en su totalidad comenzará a parpadear, con el fin de indicar que el valor puede modificarse girando la perilla de control. Cuando el valor se encuentra en "On", debe confirmarse el reinicio sosteniendo tanto el Botón 1 como el Botón 2, al mismo tiempo, por 5 segundos.

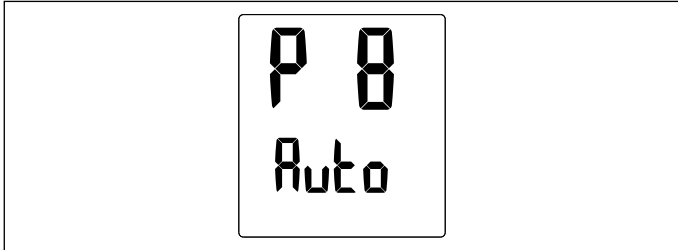
Al presionar una vez el botón de información, se avanza al menú de los parámetros de pausa de la retroiluminación de la pantalla.

OPERACIÓN

UTILIZACIÓN DE LA PANTALLA

Parámetros de pausa de la retroiluminación de la pantalla

La retroiluminación de la pantalla puede ajustarse para que siempre esté en "On" o puede ajustarse en modo automático, el cual se desactiva cuando no se detectan datos de entrada del usuario durante 15 segundos.

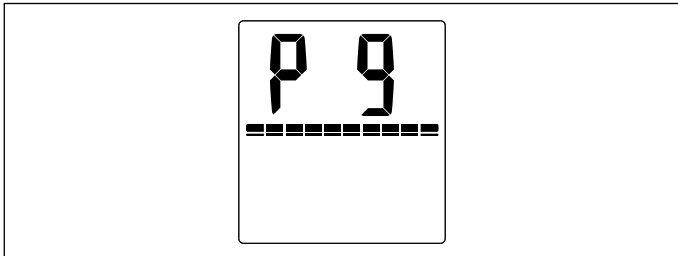


La pantalla en su totalidad y la retroiluminación comenzarán a parpadear, con el fin de indicar que el valor puede modificarse girando la perilla de control. Cuando el valor está ajustado en "Auto", se desactivará automáticamente después de 15 segundos de inactividad.

Al presionar una vez el botón de información en este menú, se avanza al menú de parámetros de brillo de la retroiluminación de la pantalla.

Parámetros de brillo de la retroiluminación de la pantalla

El brillo de la retroiluminación de la pantalla puede ajustarse a dos parámetros diferentes. Un ajuste alto y bajo permite la personalización del usuario, según las condiciones de luz en el lugar de instalación.



La barra de estado de la capacidad de potencia indica el ajuste de brillo. Una barra a plena capacidad indica que el brillo está en la configuración alta. Una barra a capacidad media indica que el brillo está en el ajuste bajo.

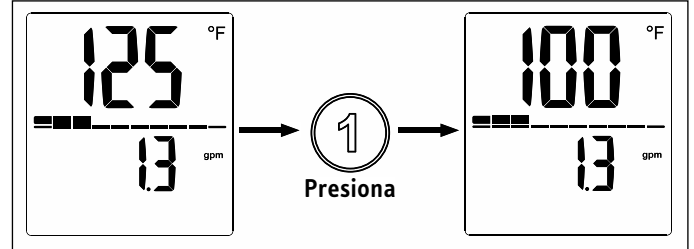
Al presionar una vez el botón de información mientras se encuentra en este menú, se volverá a la página de ajuste de parámetros T_{max} , marcada como "P1".

5.3.4 Opciones de temperatura preestablecida

El Temptra Plus cuenta con dos ajustes preestablecidos de temperatura para permitir el acceso rápido a los puntos de ajuste. Tanto el Botón 1 como el Botón 2 almacenan un valor nominal independiente.

Modificación de valores nominales a valores preestablecidos

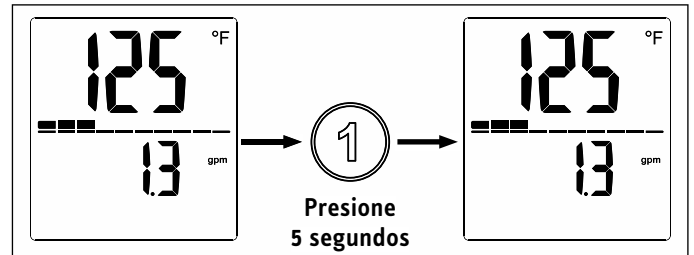
En la pantalla base, el usuario puede pulsar el Botón 1 o el Botón 2 para cambiar el valor nominal a los valores preestablecidos.



Cuando se pulsa el botón, el valor nominal se modificará al valor que estaba almacenado hasta ese punto.

Modificación de los valores preestablecidos

Los valores preestablecidos pueden modificarse y ser distintos a los valores nominales de fábrica.



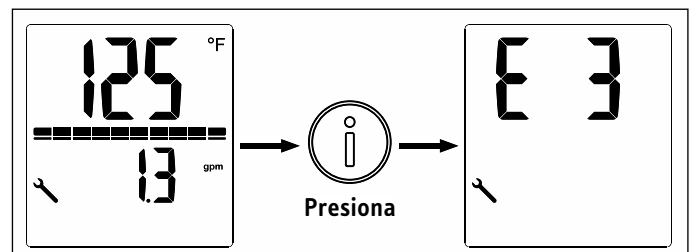
Para cambiar el valor de preselección 1 o 2, en primer lugar gire la perilla de control a la temperatura que desee ajustar. Luego, mantenga pulsado el botón de preselección durante 5 segundos. La pantalla comenzará a parpadear para indicar que el valor preestablecido se ha cambiado correctamente.

5.3.5 Retorno a la pantalla base

Cuando se explora la pantalla y, en cualquier menú excepto en la pantalla base, al sostener el botón de información por 5 segundos se regresará a la pantalla base. Asimismo, se vuelve a la pantalla base luego de un período de 15 segundos sin que el usuario ingrese ningún dato.

5.3.6 Menú de error de Temptra Plus

Si el Temptra plus encuentra un error, aparecerá el ícono de una llave inglesa en la parte inferior izquierda de la pantalla.



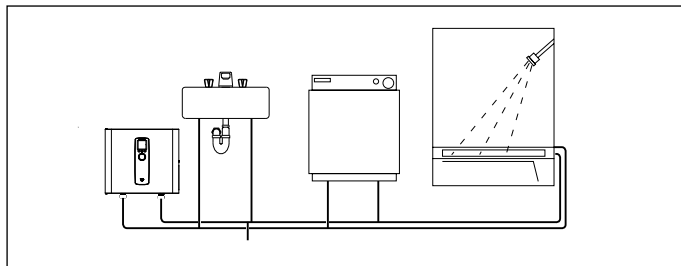
entras se muestra el ícono de la llave inglesa, pulse el botón de información para avanzar a la página de visualización de errores. Consulte el apartado "Informes de códigos de error de Temptra Plus", pág. 36.

INSTALACIÓN

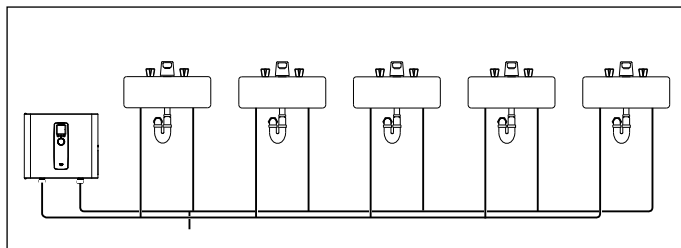
6. Configuración de la instalación

El Tempra puede utilizarse para las siguientes aplicaciones.

6.1 Instalación residencial típica



6.2 Instalación comercial típica



7. Montaje de la unidad



AVISO: La unidad debe estar instalada en posición vertical con las conexiones de agua mirando hacia abajo. No instale la unidad en lugares en los que pueda sufrir salpicaduras de agua. Puede sufrir una electrocución.



PELIGRO: No se puede instalar la unidad en un sitio donde hay salpicadura de agua. Es para evitar el riesgo de posible descarga eléctrica.

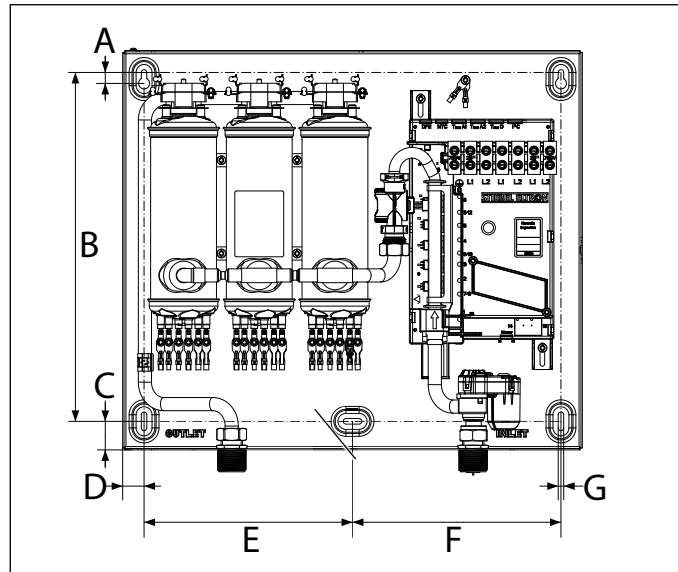


PRECAUCION: La tubería saliente de la unidad puede estar caliente al tocarla. Los tubos con una altura de 90 cm (36 pulgadas) o menos tienen que ser recubiertos con insulación térmica para evitar quemaduras a los niños.



AVISO: No se puede instalar la unidad en un sitio donde este sujeta a temperaturas menores de 0°C (32°F). Si la unidad esta sujeta a temperaturas que permitirían la congelación del agua hay que drenar la unidad antes que ocurra tal cosa. Si esto no se hace el calentador pierde la garantía. Hay que instalar la unidad donde se evite que una posible fuga de agua desde la unidad o sus conexiones puedan resultar en daños a las áreas contiguas. Si no es posible tal colocación recomendamos colocar / instalar drenaje por debajo de la unidad.

7.1 Dimensiones de montaje



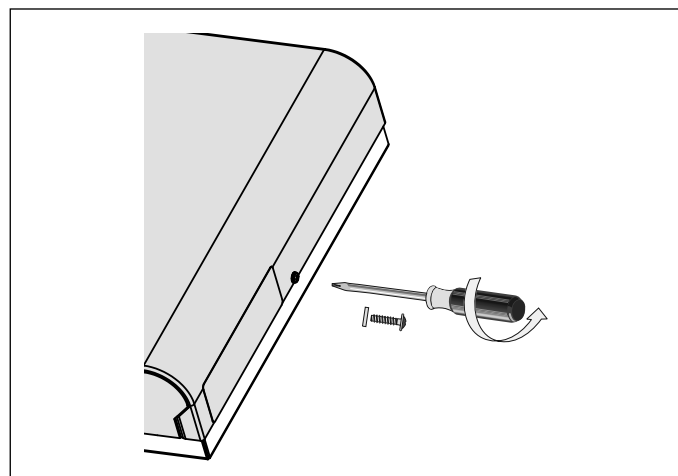
Dimensiones

A	10 mm (3/8 pulg.)
B	318 mm (12 1/2 pulg.)
C	26 mm (1 pulg.)
D	20 mm (3/4 pulg.)
E	190 mm (7 1/2 pulg.)
F	190 mm (7 1/2 pulg.)
G	5 mm (3/16 pulg.)

7.2 Instrucciones de montaje

Instale el Tempra lo más cerca posible de los puntos de suministro de agua caliente.

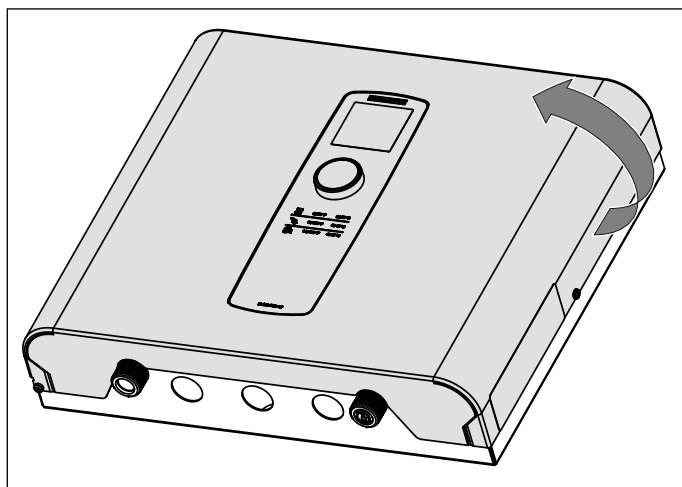
- ▶ Instale el Tempra en una zona resguardada de la escarcha. Si se formara escarcha, extraiga la unidad antes de que se impongan las temperaturas de congelación.
- ▶ Deje una distancia de separación mínima de 120 mm (5 pulg.) por todos los lados para poder realizar el mantenimiento sin problemas.



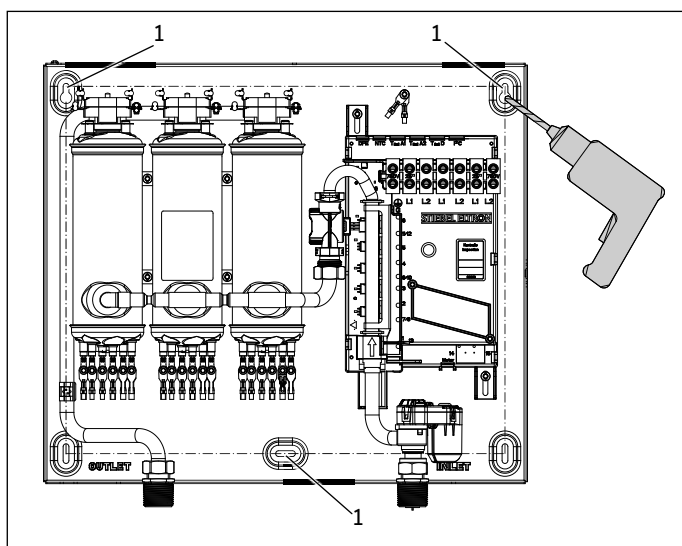
- ▶ Extraiga el tornillo de la tapa.

INSTALACIÓN

CONEXIONES DE AGUA



- Abra la cubierta frontal.



1 Orificios de montaje

- Instale la unidad fijamente a la pared colocando al menos tres tornillos en los orificios de montaje. Los tornillos y los dispositivos de anclaje plásticos de pared para montar sobre mampostería o madera vienen incluidos.

8. Conexiones de agua

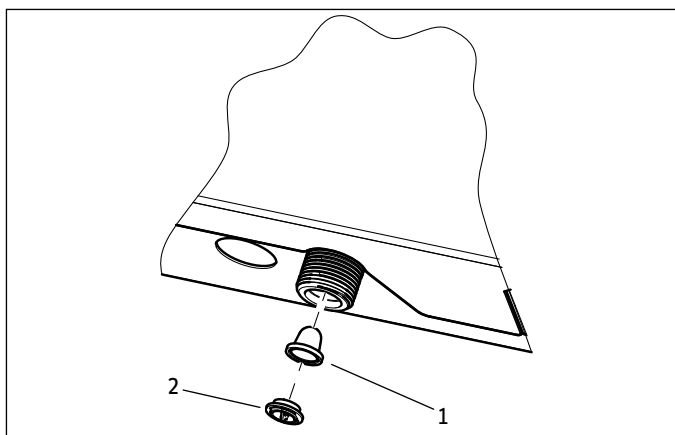


AVISO: Un calor de soldadura excesivo sobre las tuberías de cobre junto al Tempra podría causar daños. La conexión de agua fría a la unidad esta sujeta a ser desconectada periódicamente par poder limpiar el pequeño filtro / malla que se encuentra adentro de la misma. Sugerimos utilizar conexiones, uniones de tope y mangueras flexibles, resistentes al agua caliente, que permitan hacer tal servicio de mantenimiento preventivo.



ATENCIÓN: Hay que tomar en cuenta que la instalación de la unidad en lugares donde hay "agua dura" o agua con un alto contenido de minerales se toma un riesgo de dañar los componentes internos de la unidad por incrustaciones. En tales situaciones la garantía no se considera valida.

- Todos los trabajos de fontanería deben cumplir la normativa nacional, regional y local en materia de fontanería.
- Si la presión de suministro de agua fría supera los 10 bar (150 psi) deberá instalarse una válvula reductora de presión.
- Asegúrese de que la tubería de suministro de agua caliente se ha enjuagado para eliminar cualquier tipo de residuos y suciedad.
- Asimismo, el Tempra dispone de una pantalla de filtrado integrada que debe limpiarse periódicamente. Lave la pantalla y vuelva a colocar la pantalla y la arandela en su posición original.



- 1 Pantalla de filtrado
- 2 Arandela

- La conexión de agua fría (entrada) se encuentra a la derecha de la unidad y la conexión de agua caliente (salida) a la izquierda de la unidad.



AVISO: Los calentadores de agua sin depósito, como el Tempra, no necesitan estar equipados con una Válvula de Alivio de Presión y Temperatura (P&T). Si el inspector local no pasa la instalación sin una válvula P&T, ésta debe instalarse en el lado de salida de agua caliente de la unidad.

- El Tempra está diseñado para establecer una conexión en tuberías de cobre o un tubo flexible trenzado de acero inoxidable de PEX con rosca hembra autorroscante de 3/4 pulg NPT.

INSTALACIÓN

CONEXIÓN ELÉCTRICA

- ▶ La conexión de agua fría a la unidad esta sujeta a ser desconectada periódicamente par poder limpiar el pequeño filtro / malla que se encuentra adentro de la misma. Sugerimos utilizar conexiones, uniones de tope y mangueras flexibles, resistentes al agua caliente, que permitan hacer tal servicio de mantenimiento preventivo. Si es necesario realizar cualquier trabajo de soldadura cerca de la unidad dirija la llama apartándola de la carcasa de la unidad para evitar que se produzcan daños.
- ▶ Una vez realizados todos los trabajos de fontanería, revise la instalación para comprobar si existen fugas y tome medidas correctivas antes de comenzar a utilizar la unidad.

9. Conexión eléctrica



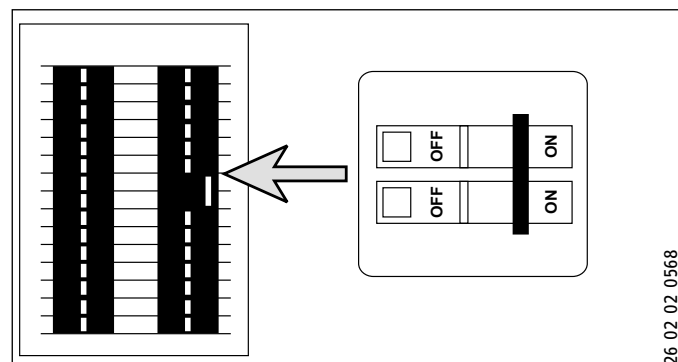
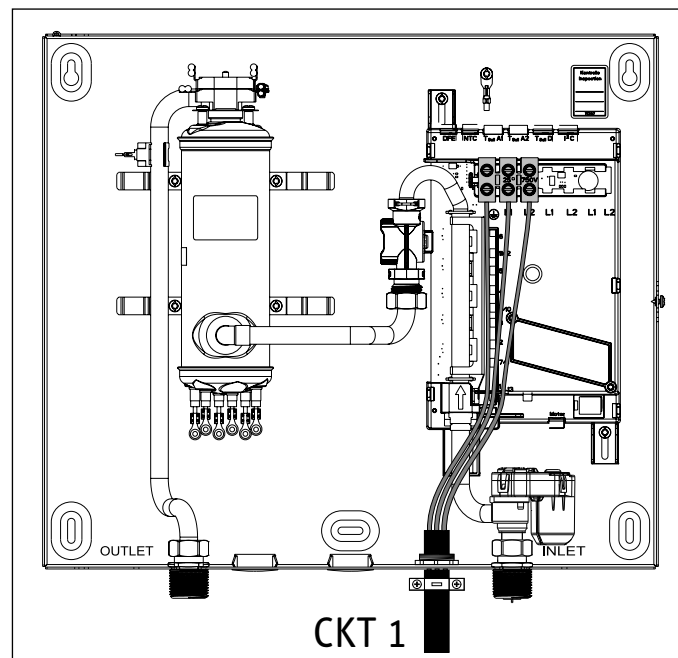
PELIGRO: Electrocción

Antes de realizar cualquier trabajo en la instalación eléctrica asegúrese de que los interruptores del panel del interruptor automático principal están apagados para evitar cualquier peligro de electrocción. Todos los trabajos de montaje y fontanería deben realizarse antes de realizar la conexión eléctrica. Siempre que sea necesario debido a la normativa eléctrica regional o nacional, los circuitos deben equiparse con un interruptor de fallas a tierra.

El Tempra debe conectarse a circuitos en ramificación separados y adecuadamente conectados a tierra que cuenten con las especificaciones técnicas adecuadas. La conexión a tierra debe ajustarse en "Ground" del panel del interruptor automático.

9.1 Diagramas de circuitos

9.1.1 Tempra 12 Trend / Plus

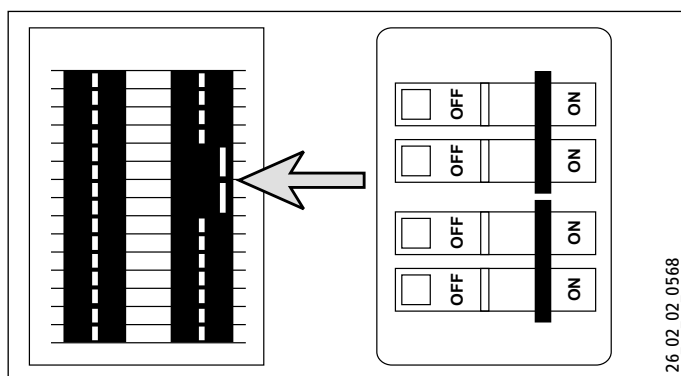
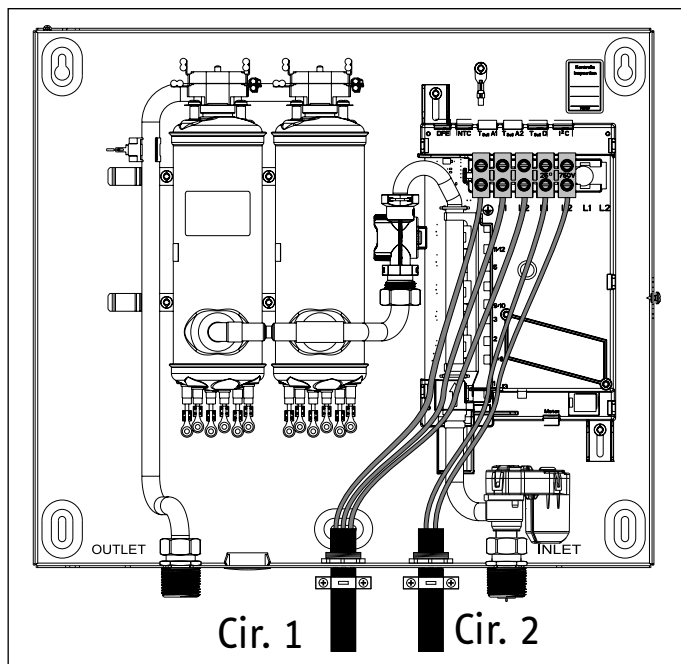


Tempra 12 Trend / Plus: Estas unidades pueden conectarse a un único circuito. Utilice un cable de suministro protegido por un interruptor de doble polo.

INSTALACIÓN

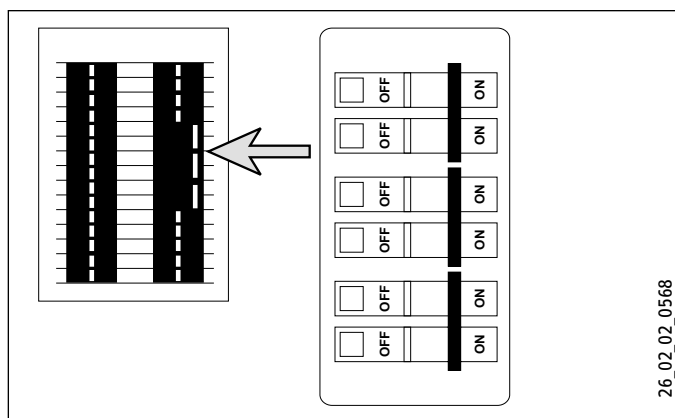
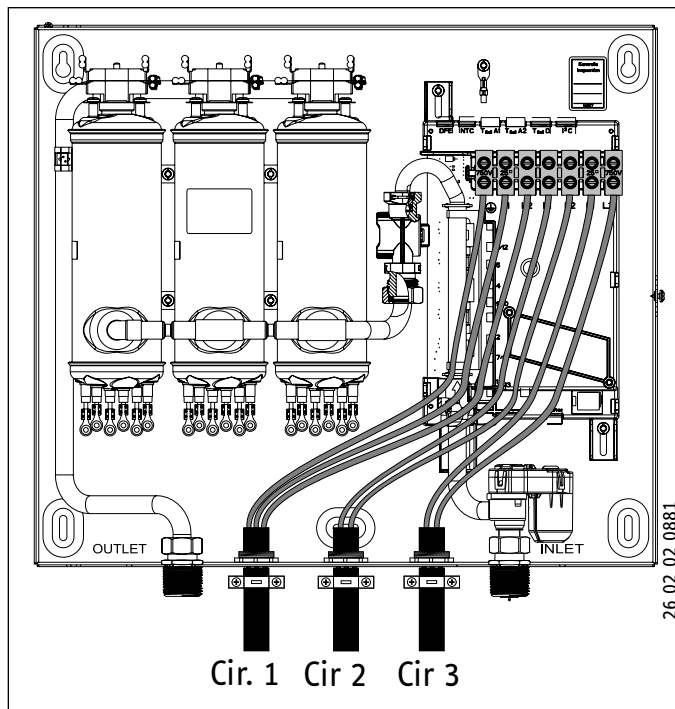
CONEXIÓN ELÉCTRICA

9.1.2 Tempra 15, 20, 24 Trend / Plus



Tempra 15, 20 o 24 Trend/Plus: Estas unidades requieren dos circuitos independientes. Utilice dos cables de suministro protegidos por dos interruptores de doble polo separados.

9.1.3 Tempra 29, 36 Trend / Plus

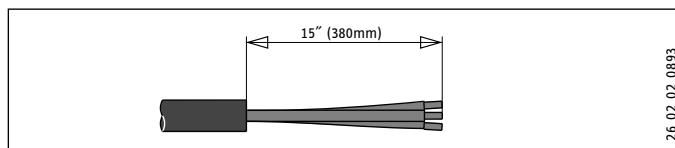


Tempra 29 o 36 Trend/Plus: Estas unidades requieren tres circuitos independientes. Utilice tres cables de suministro protegidos por tres interruptores de doble polo separados.

9.2 Conexión del circuito

Consulte la tabla de datos técnicos para obtener el tamaño correcto del cableado y del interruptor automático. En cualquier caso, asegúrese de que la unidad está correctamente conectada a tierra.

- ▶ Corte el cable de conexión eléctrica para adecuar su longitud y pélelo.



El cable debe pasarse a través de los orificios ciegos ubicados entre las conexiones de agua caliente y de agua fría (vea la sección 9.1, pág. 33). Los cables energizados deben conectarse a las ranuras del bloque de terminales y marcarse como L1 y L2. El

cable de conexión a tierra debe conectarse a la ranura marcada con el símbolo de tierra (vea la sección 13.5, pág. 41).

9.3 Bloque de terminales

Consulte el siguiente diagrama para ver el nivel recomendado de torsión en los tornillos del bloque de terminales.

Diámetro del cable (mm)	Torsión (N•cm)	Torsión (Lbf•in)
M6	200-250	17.7-22.1

Usar las especificaciones de torsión adecuadas para fijar el cable al bloque de cableado ayuda a evitar pérdidas personales o daños a la propiedad.

10. Puesta en servicio del calentador de agua



ADVERTENCIA: Abra el grifo de agua caliente durante unos minutos hasta que el caudal salga de forma continuada y todo el aire se haya purgado de las tuberías de agua. La tapa de la unidad debe instalarse antes de encender los interruptores automáticos.

- ▶ Compruebe que el cable del transductor del valor establecido esté enchufado en la ranura TSoll D de la placa de control de alimentación principal. Si el cable se desconectó por algún motivo durante la instalación, asegúrese de volver a conectarlo a la ranura TSoll D antes de suministrar energía al calentador de agua.
- ▶ Llena la unidad con agua.
- ▶ Cierre la tapa y fíjela utilizando el tornillo con disco interruptor.
- ▶ Encienda los interruptores automáticos para proporcionar alimentación a la unidad.
- ▶ Gire el selector de temperatura a derechas y a izquierdas para calibrar el transductor de valor de ajuste.
- ▶ Ajuste la temperatura del agua hasta el nivel deseado utilizando el botón del panel delantero de la unidad.
- ▶ Encienda el agua caliente y espere durante veinte segundos hasta que la temperatura se haya estabilizado.
- ▶ Compruebe la temperatura del agua con la mano y asegúrese de que no está demasiado caliente. Reduzca la temperatura si fuera necesario.
- ▶ Explique al usuario el funcionamiento de la unidad para que se familiarice con su uso.
- ▶ Avise al usuario sobre los posibles peligros existentes (temperatura del agua caliente hasta 60 °C (140 °F)). Entregue estas instrucciones con el fin de que sean archivadas para futuras consultas.

11. Mantenimiento normal



NOTA: El Tempra no contiene ningún componente que requiera mantenimiento por parte del usuario. Si se produce cualquier avería avise a un fontanero o electricista autorizado.

Los calentadores de agua sin depósito Stiebel Eltron Tempra han sido diseñados para alcanzar una larga vida útil. La esperanza de vida útil varía en función de la calidad del agua y del uso. La propia unidad no requiere ningún tipo de mantenimiento periódico. Para asegurar un flujo de agua constante, se recomienda eliminar periódicamente el sarro y la suciedad que puedan acumularse en el aireador de los grifos, en la pantalla de filtro de la unidad o en el dispositivo de calefacción del calentador de agua.

Verificar en forma regular la calidad del agua que ingresa al calentador de agua. La calidad del agua puede afectar la vida útil del aparato y es posible que no esté cubierta por la garantía del fabricante.

12. Solución de problemas

Síntoma	Causa posible	Solución
No hay agua caliente	interruptores automáticos apagados	encienda los interruptores automáticos
	caudal insuficiente para activar la unidad	limpie la pantalla del filtro en la unidad limpie el aireador o cabezal de la ducha
	Sensor de caudal obstruido/ que no gira	retire el sensor de flujo y sople a través de él para asegurarse de que la rueda gire
El agua no está suficientemente caliente	el calentador de agua no se instaló correctamente	verificar que el agua fría entre por el lado derecho y que el agua caliente salga por el lado izquierdo
	pantalla del filtro obstruida	limpie la pantalla del filtro en la unidad
No hay suficiente agua caliente	sarro acumulado en elementos calefactores	eliminar el sarro de los elementos calefactores con una solución descalcificante
	caudal de agua demasiado elevada	reduzca el caudal de agua hasta que la luz del panel delantero deje de parpadear
	voltaje demasiado bajo	suministre la tensión adecuada a la unidad
El agua no está suficientemente caliente	protección térmica disparada	desconectar el suministro eléctrico, restablecer el corte térmico de seguridad

Si el problema no puede solucionarse, diríjase a nosotros (véase última página) antes de retirar el aparato de la pared.

Stiebel Eltron le proporcionará asistencia técnica con mucho gusto. En la mayoría de los casos, el problema puede solucionarse mediante una consulta telefónica.

INSTALACIÓN

SOLUCIÓN DE PROBLEMAS

12.1 Informes de códigos de error de Tempra Plus

El Tempra Plus puede autodiagnosticar e informar sobre los problemas operativos que presenta. Para obtener información sobre cómo se mostrará el error en la pantalla de Tempra Plus, consulte la sección "Menú de error de Tempra Plus", pág. 30.

Error	Causa	Solución
2	fallo del sensor de temperatura de entrada	ponerse en contacto con el servicio técnico de Stiebel Eltron
3	fallo del sensor de temperatura de salida	compruebe que el cable del sensor de temperatura de salida esté conectado al panel principal de control ponerse en contacto con el servicio técnico de Stiebel Eltron

- ▶ Abrir la tapa delantera del calentador de agua
- ▶ Identificar los cortes térmicos de seguridad en la parte superior de los recipientes de cobre para calefacción. Los botones en la parte superior son los botones de reinicio.
- ▶ Presionar los botones hacia abajo y observar si hacen clic cuando se presionan.

Un contenedor de calefacción que necesita reajustes repetidamente puede tener un problema técnico que debe ser resuelto por el servicio técnico de Stiebel Eltron.

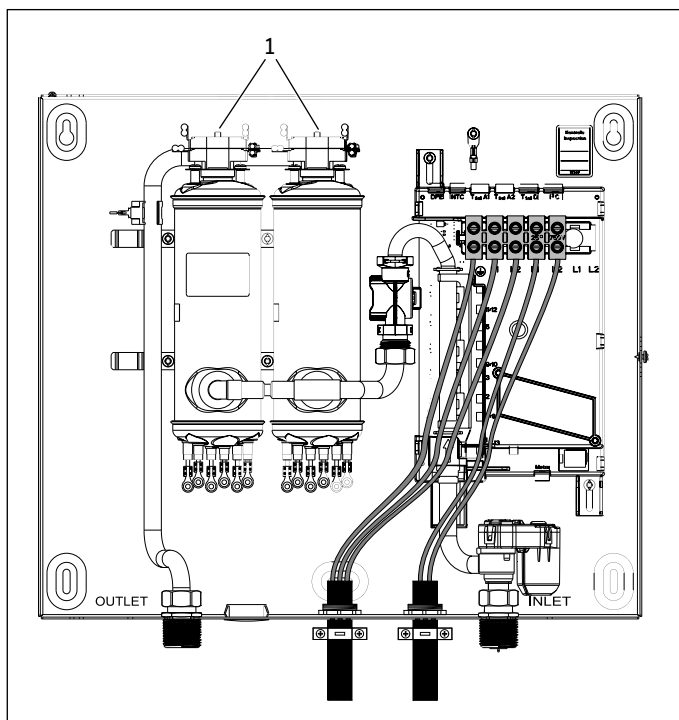
12.2 Restableciendo del corte térmico de seguridad



PELIGRO: Electrocutación

No intente restablecer el corte térmico de seguridad de este calentador de agua a menos que la unidad haya sido completamente desconectada de los interruptores automáticos.

El corte térmico de seguridad del Tempra fue diseñado para cortar la corriente eléctrica a los elementos de calefacción si sale agua a una temperatura demasiado alta. Cuando uno de estos interruptores de seguridad se haya disparado, deben ser reajustados manualmente.



1 Corte térmico de seguridad

Para restablecer los cortes de seguridad, seguir los siguientes procedimientos:

- ▶ Apagar todos los interruptores conectados al calentador de agua

13. Datos técnicos

13.1 Tempra Trend

	Tempra 12 Trend	Tempra 15 Trend	Tempra 20 Trend	Tempra 24 Trend ³	Tempra 29 Trend ⁴	Tempra 36 Trend ⁵
Número de pedido	239213	239214	239215	239216	239217	239218
Especificaciones eléctricas						
Corriente (50/60 Hz)	monofásico		monofásico ⁶		monofásico ⁶	
Voltaje	240 V	208 V	240 V	208 V	240 V	208 V
Potencia	12 kW	9 kW	14.4 kW	10.8 kW	19.2 kW	14.4 kW
Amperaje	1 x 50 A	1 x 44 A	2 x 30 A	2 x 26 A	2 x 40 A	2 x 35 A
Interruptor auto. # requerido ¹ (2P)	1 x 50 A	2 x 30 A	2 x 40 A	2 x 35 A	2 x 50 A	3 x 40 A
Conexión eléctrico	1/GRD	2/GRD	2/GRD	2/GRD	3/GRD	3/GRD
Calibre de alambre, cobre ²	1 x 8/2 AWG	2 x 10/2 AWG	2 x 8/2 AWG	2 x 8/2 AWG	3 x 8/2 AWG	3 x 8/2 AWG
Conexiones						
Conexión para agua	3/4 pulg. NPT					
Temperatura máx. del agua fría	42 °C (108 °F)					
Datos del sistema hidráulico						
Contenido nominal	0.5 l (0.13 gal)	1.0 l (0.26 gal)	1.0 l (0.26 gal)	1.0 l (0.26 gal)	1.5 l (0.39 gal)	1.5 l (0.39 gal)
Valores						
Flujo mínimo de agua para activar la unidad	1.4 l/min (0.37 gpm)	1.9 l/min (0.5 gpm)	1.9 l/min (0.5 gpm)	1.9 l/min (0.5 gpm)	2.9 l/min (0.77 gpm)	2.9 l/min (0.77 gpm)
Temperatura de admisión máxima admisible	55 °C (131 °F)					
Límites de utilización						
Presión máxima admisible	1.0 MPa (150 psi)					
Presión de prueba	2.0 MPa (300 psi)					
Modelos						
Cubierta y pared trasera	chapa de acero					
Color	blanco alpino					
Dimensiones						
Altura	369 mm (14 1/2 pulg.)					
Anchura	420 mm (16 5/8 pulg.)					
Profundidad	117 mm (4 5/8 pulg.)					
Pesos						
Peso	6.1 kg (13.5 lbs)	7.3 kg (16.1 lbs)	7.3 kg (16.1 lbs)	7.3 kg (16.1 lbs)	8.6 kg (19 lbs)	8.6 kg (19 lbs)

¹ Esta es nuestra recomendación por sobre la protección actual de tamaño al 100% de la carga. Compruebe normativa local si es necesario.

Los calentadores sin tanque eléctricos son considerados una carga no continua.

² Deben usarse conductores de cobre con una clasificación de temperatura de 75 ° C o más. Los conductores deben ser dimensionados para mantener una caída de tensión de menos del 3 % en situación de carga.

³ Requiere un servicio eléctrico de 150 A.

⁴ Requiere un servicio eléctrico de 200 A.

⁵ Requiere un servicio eléctrico de 300 A.

⁶ 29 Trend y 36 Trend pueden ser cableados para equilibrada 208 V 3 fases. 15 Trend, 20 Trend, 24 Trend puede ser cableado para desequilibrada 208 V 3 fases.

INSTALACIÓN

DATOS TÉCNICOS

13.2 Tempra Plus

	Tempra 12 Plus		Tempra 15 Plus		Tempra 20 Plus		Tempra 24 Plus ³		Tempra 29 Plus ⁴		Tempra 36 Plus ⁵	
Número de pedido	239219		239220		239221		239222		239223		239225	
Especificaciones eléctricas												
Corriente (50/60 Hz)	Monofásico		Monofásico		Monofásico		Monofásico		Monofásico		Monofásico	
Voltaje	240 V	208 V	240 V	208 V	240 V	208 V	240 V	208 V	240 V	208 V	240 V	208 V
Potencia	12 kW	9 kW	14.4 kW	10.8 kW	19.2 kW	14.4 kW	24 kW	18 kW	28.8 kW	21.6 kW	36 kW	27 kW
Amperaje	1 x 50 A	1 x 44 A	2 x 30 A	2 x 26 A	2 x 40 A	2 x 35 A	2 x 50 A	2 x 44 A	3 x 40 A	3 x 35 A	3 x 50 A	3 x 44 A
Interrupción auto. # requerido ¹ (2P)	1 x 50 A		2 x 30 A		2 x 40 A		2 x 35 A		2 x 50 A		3 x 40 A	
Conexión eléctrica	1/GRD		2/GRD		2/GRD		2/GRD		3/GRD		3/GRD	
Calibre de alambre, cobre ²	1 x 8/2 AWG		2 x 10/2 AWG		2 x 8/2 AWG		2 x 8/2 AWG		3 x 8/2 AWG		3 x 8/2 AWG	
Conexiones												
Conexión para agua	3/4 pulg. NPT											
Temperatura máx. del agua fría	42 °C (108 °F)											
Datos del sistema hidráulico												
Contenido nominal	0.5 l (0.13 gal)		1.0 l (0.26 gal)		1.0 l (0.26 gal)		1.0 l (0.26 gal)		1.5 l (0.39 gal)		1.5 l (0.39 gal)	
Valores												
Flujo mínimo de agua para activar la unidad	1.4 l/min (0.37 gpm)		1.9 l/min (0.5 gpm)		1.9 l/min (0.5 gpm)		1.9 l/min (0.5 gpm)		2.9 l/min (0.77 gpm)		2.9 l/min (0.77 gpm)	
Temperatura de admisión máxima admisible	55 °C (131 °F)											
Límites de utilización												
Presión máxima admisible	1.0 MPa (150 psi)											
Presión de prueba	2.0 MPa (300 psi)											
Modelos												
Cubierta y pared trasera	chapa de acero											
Color	blanco alpino											
Dimensiones												
Altura	369 mm (14 1/2 pulg.)											
Anchura	420 mm (16 5/8 pulg.)											
Profundidad	117 mm (4 5/8 pulg.)											
Pesos												
Peso	6.1 kg (13.5 lbs)		7.3 kg (16.1 lbs)		7.3 kg (16.1 lbs)		7.3 kg (16.1 lbs)		8.6 kg (19 lbs)		8.6 kg (19 lbs)	

¹ Esta es nuestra recomendación por sobre la protección actual de tamaño al 100% de la carga. Compruebe normativa local si es necesario.

Los calentadores sin tanque eléctricos son considerados una carga no continua.

² Deben usarse conductores de cobre con una clasificación de temperatura de 75 °C o más. Los conductores deben ser dimensionados para mantener una caída de tensión de menos del 3 % en situación de carga.

³ Requiere un servicio eléctrico de 150 A.

⁴ Requiere un servicio eléctrico de 200 A.

⁵ Requiere un servicio eléctrico de 300 A.

⁶ 29 Plus y 36 Plus pueden ser cableados para equilibrada 208 V 3 fases. 15 Plus, 20 Plus, 24 Plus puede ser cableado para desequilibrada 208 V 3 fases.

INSTALACIÓN

DATOS TÉCNICOS

13.3 Aumento máximo de temperatura del agua fría entrante

Agua fría temperatura de entrada		Flujo de agua caliente [GPM]						Flujo de agua caliente [l/m]					
		Temperatura del agua caliente 105°F						Temperatura del agua caliente 40°C					
		39°F	59°F	77°F	95°F	113°F	131°F	4°C	15°C	25°C	35°C	45°C	55°C
Tempra 12 Trend / 12 Plus	9 kW @ 208 V	0.95	1.36	2.27	6.61	-	-	3.58	5.16	8.59	25.00	-	-
	12 kW @ 220-240 V	1.26	1.82	3.03	6.61	-	-	4.77	6.87	11.46	25.00	-	-
Tempra 15 Trend / 15 Plus	10.8 kW @ 208 V	1.14	1.63	2.72	6.61	-	-	4.30	6.19	10.31	25.00	-	-
	14.4 kW @ 220-240 V	1.51	2.18	3.63	6.61	-	-	5.73	8.25	13.75	25.00	-	-
Tempra 20 Trend / 20 Plus	14.4 kW @ 208 V	1.51	2.18	3.63	6.61	-	-	5.73	8.25	13.75	25.00	-	-
	19.2 kW @ 220-240 V	2.02	2.91	4.84	6.61	-	-	7.64	11.00	18.33	25.00	-	-
Tempra 24 Trend / 24 Plus	18 kW @ 208 V	1.89	2.72	4.54	6.61	-	-	7.16	10.31	17.18	25.00	-	-
	24 kW @ 220-240 V	2.52	3.63	6.05	6.61	-	-	9.55	13.75	22.91	25.00	-	-
Tempra 29 Trend / 29 Plus	21.6 kW @ 208 V	2.27	3.27	5.45	6.61	-	-	8.59	12.37	20.62	25.00	-	-
	28.8 kW @ 220-240 V	3.03	4.36	6.61	6.61	-	-	11.46	16.50	25.00	25.00	-	-
Tempra 36 Trend / 36 Plus	27 kW @ 208 V	2.84	4.09	6.61	6.61	-	-	10.74	15.47	25.00	25.00	-	-
	36 kW @ 220-240 V	3.78	5.45	6.61	6.61	-	-	14.32	20.62	25.00	25.00	-	-

Agua fría temperatura de entrada		Flujo de agua caliente [GPM]						Flujo de agua caliente [l/m]					
		Temperatura del agua caliente 113°F						Temperatura del agua caliente 45°C					
		39°F	59°F	77°F	95°F	113°F	131°F	4°C	15°C	25°C	35°C	45°C	55°C
Tempra 12 Trend / 12 Plus	9 kW @ 208 V	0.83	1.14	1.70	3.41	6.61	-	3.14	4.30	6.44	12.89	25.00	-
	12 kW @ 220-240 V	1.11	1.51	2.27	4.54	6.61	-	4.19	5.73	8.59	17.18	25.00	-
Tempra 15 Trend / 15 Plus	10.8 kW @ 208 V	1.00	1.36	2.04	4.09	6.61	-	3.77	5.16	7.73	15.47	25.00	-
	14.4 kW @ 220-240 V	1.33	1.82	2.72	5.45	6.61	-	5.03	6.87	10.31	20.62	25.00	-
Tempra 20 Trend / 20 Plus	14.4 kW @ 208 V	1.33	1.82	2.72	5.45	6.61	-	5.03	6.87	10.31	20.62	25.00	-
	19.2 kW @ 220-240 V	1.77	2.45	3.63	6.61	6.61	-	6.71	9.16	13.75	25.00	25.00	-
Tempra 24 Trend / 24 Plus	18 kW @ 208 V	1.66	2.27	3.41	6.61	6.61	-	6.29	8.59	12.89	25.00	25.00	-
	24 kW @ 220-240 V	2.21	3.03	4.54	6.61	6.61	-	8.38	11.46	17.18	25.00	25.00	-
Tempra 29 Trend / 29 Plus	21.6 kW @ 208 V	1.99	2.72	4.09	6.61	6.61	-	7.54	10.31	15.47	25.00	25.00	-
	28.8 kW @ 220-240 V	2.66	3.63	5.45	6.61	6.61	-	10.06	13.75	20.62	25.00	25.00	-
Tempra 36 Trend / 36 Plus	27 kW @ 208 V	2.49	3.41	5.11	6.61	6.61	-	9.43	12.89	19.33	25.00	25.00	-
	36 kW @ 220-240 V	3.32	4.54	6.61	6.61	6.61	-	12.57	17.18	25.00	25.00	25.00	-

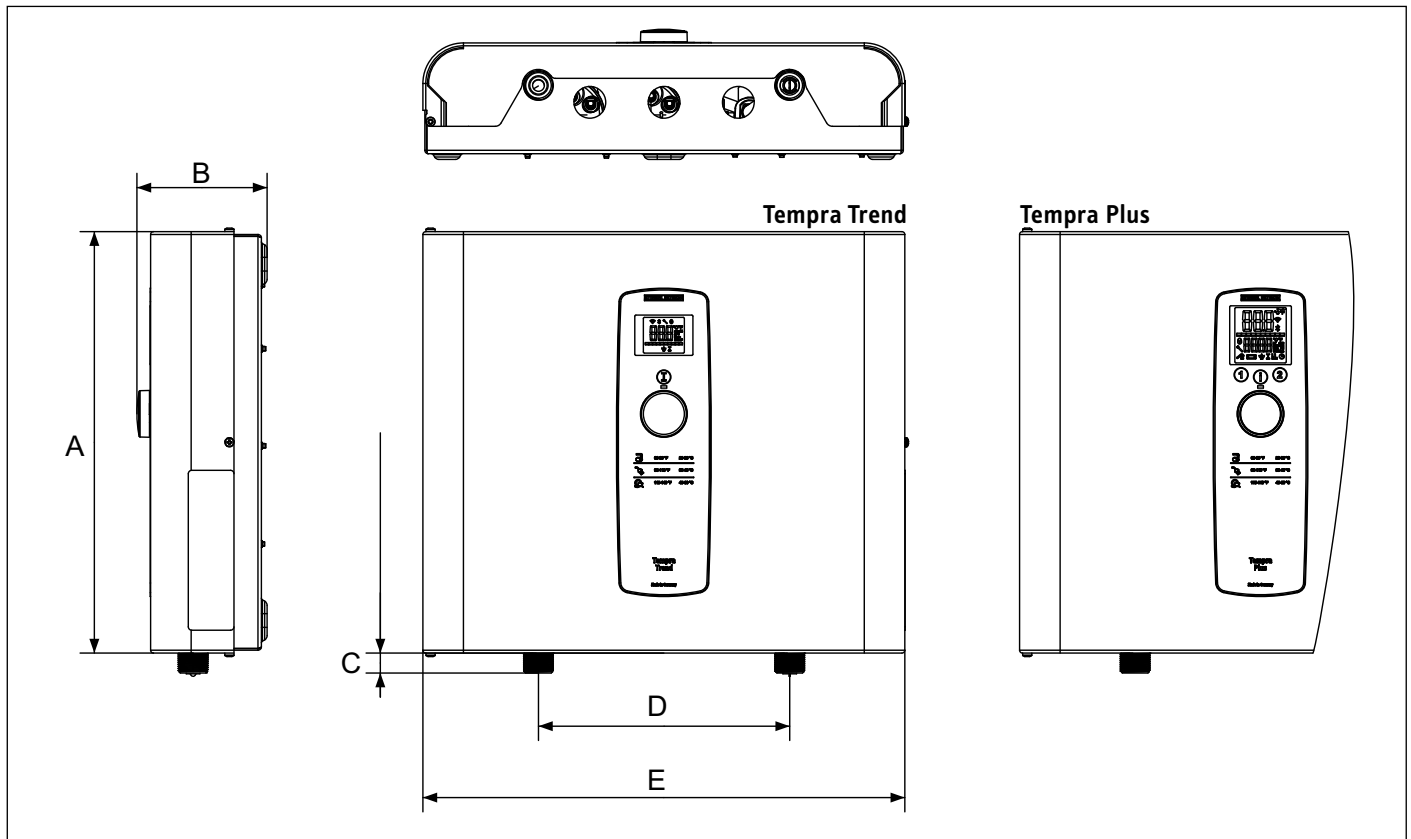
Agua fría temperatura de entrada		Flujo de agua caliente [GPM]						Flujo de agua caliente [l/m]					
		Temperatura del agua caliente 140°F						Temperatura del agua caliente 60°C					
		39°F	59°F	77°F	95°F	113°F	131°F	4°C	15°C	25°C	35°C	45°C	55°C
Tempra 12 Trend / 12 Plus	9 kW @ 208 V	0.61	0.76	0.97	1.36	2.27	6.61	2.30	2.86	3.68	5.16	8.59	25.00
	12 kW @ 220-240 V	0.81	1.01	1.30	1.82	3.03	6.61	3.07	3.82	4.91	6.87	11.46	25.00
Tempra 15 Trend / 15 Plus	10.8 kW @ 208 V	0.73	0.91	1.17	1.63	2.72	6.61	2.76	3.44	4.42	6.19	10.31	25.00
	14.4 kW @ 220-240 V	0.97	1.21	1.56	2.18	3.63	6.61	3.68	4.58	5.89	8.25	13.75	25.00
Tempra 20 Trend / 20 Plus	14.4 kW @ 208 V	0.97	1.21	1.56	2.18	3.63	6.61	3.68	4.58	5.89	8.25	13.75	25.00
	19.2 kW @ 220-240 V	1.30	1.61	2.08	2.91	4.84	6.61	4.91	6.11	7.86	11.00	18.33	25.00
Tempra 24 Trend / 24 Plus	18 kW @ 208 V	1.22	1.51	1.95	2.72	4.54	6.61	4.60	5.73	7.36	10.31	17.18	25.00
	24 kW @ 220-240 V	1.62	2.02	2.59	3.63	6.05	6.61	6.14	7.64	9.82	13.75	22.91	25.00
Tempra 29 Trend / 29 Plus	21.6 kW @ 208 V	1.46	1.82	2.33	3.27	5.45	6.61	5.52	6.87	8.84	12.37	20.62	25.00
	28.8 kW @ 220-240 V	1.95	2.42	3.11	4.36	6.61	6.61	7.36	9.16	11.78	16.50	25.00	25.00
Tempra 36 Trend / 36 Plus	27 kW @ 208 V	1.82	2.27	2.92	4.09	6.61	6.61	6.90	8.59	11.05	15.47	25.00	25.00
	36 kW @ 220-240 V	2.43	3.03	3.89	5.45	6.61	6.61	9.21	11.46	14.73	20.62	25.00	25.00

INSTALACIÓN

DATOS TÉCNICOS

13.4 Dimensiones

Temptra Trend / Temptra Plus



Dimensiones

A 369 mm (14¹/₂ pulg.)

B 114 mm (4¹/₂ pulg.)

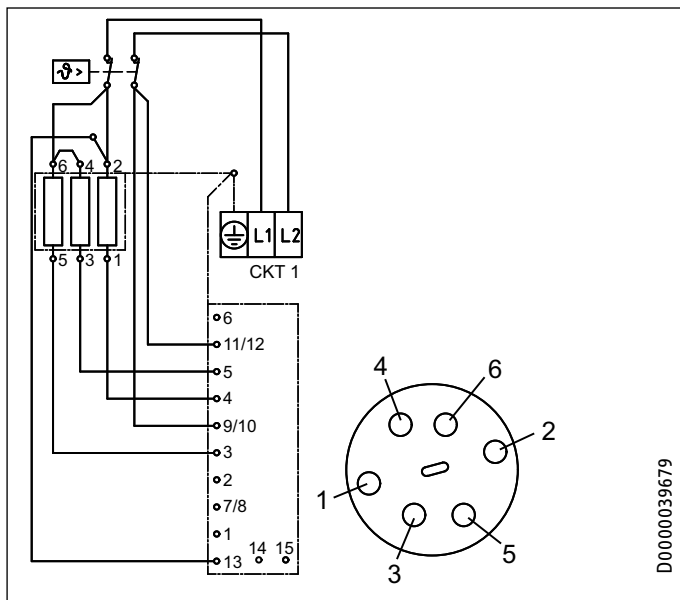
C 18 mm (3/4 pulg.)

D 220 mm (8¹¹/₁₆ pulg.)

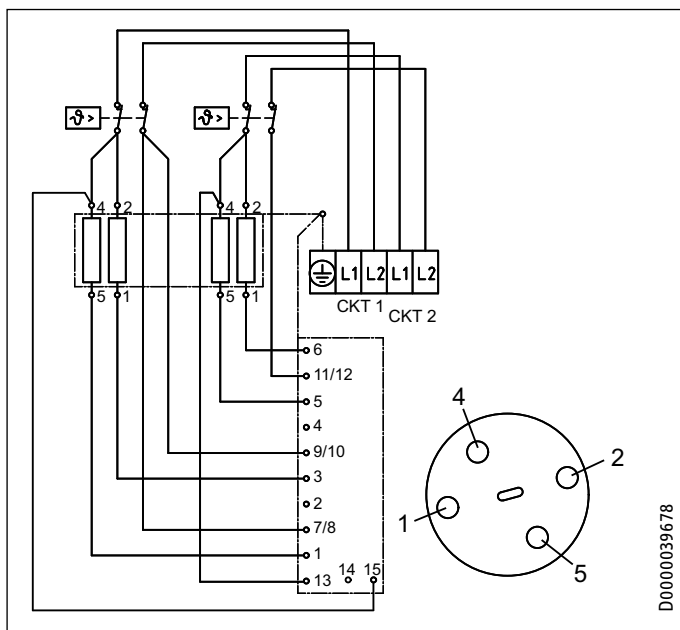
E 422 mm (16¹/₂ pulg.)

13.5 Diagrama eléctrico

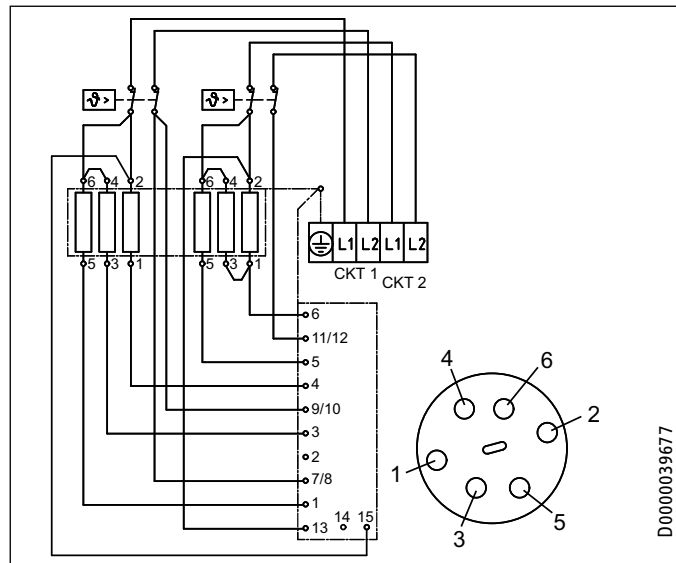
13.5.1 Tempra 12 Trend / Plus



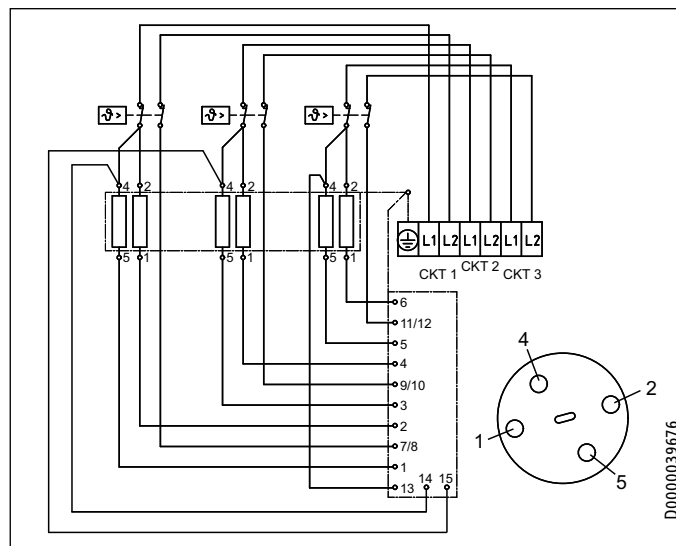
13.5.2 Tempra 15, 20 Trend / Plus



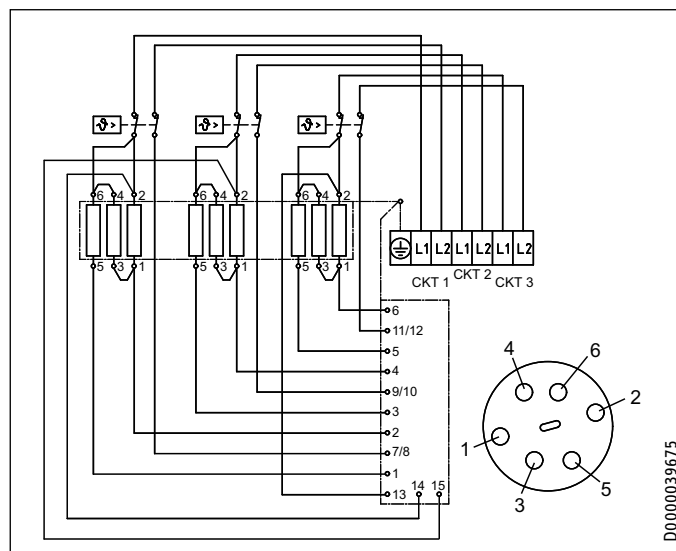
13.5.3 Tempra 24 Trend / Plus



13.5.4 Tempra 29 Trend / Plus



13.5.5 Tempra 36 Trend / Plus



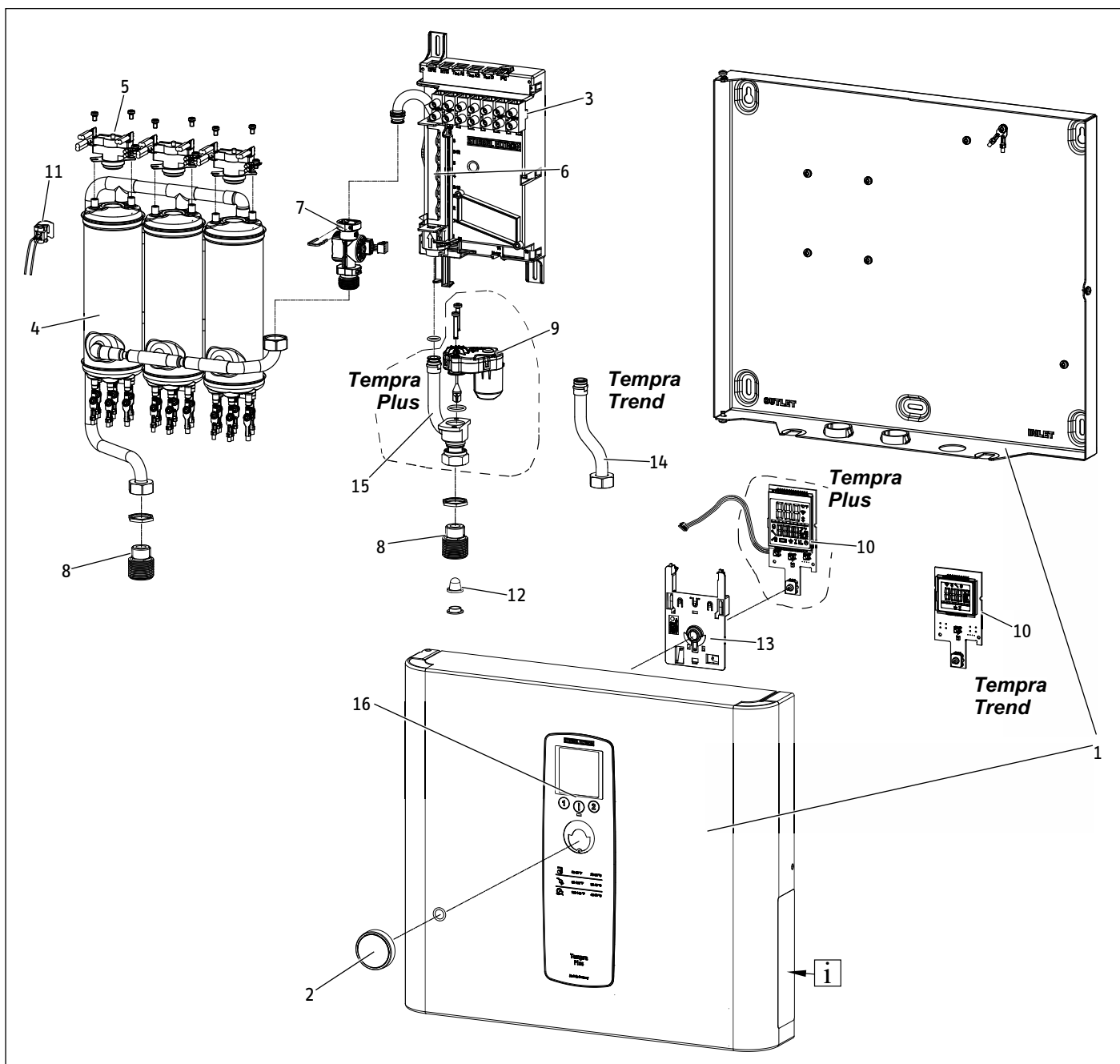
14. Repuestos

	Repuestos No.						
	1	2	3	4	5	6	7
	Carcasa	Perilla de control de temperatura	Bloque de cableado	Sistema de calefacción	Corte térmico de seguridad	Unidad de control electrónica	Sensor de flujo
Tempra 12 Trend	331894	323686	279998	286360	286369	286375	286461
Tempra 15 Trend	331894	323686	279997	286361	286369	286845	286461
Tempra 20 Trend	331894	323686	279997	286362	286369	286845	286461
Tempra 24 Trend	331894	323686	279997	286364	286369	286376	286461
Tempra 29 Trend	331894	323686	279996	286373	286369	286378	286461
Tempra 36 Trend	331894	323686	279996	286374	286369	286379	286461
Tempra 12 Plus	331926	323686	279998	286360	286369	286375	286461
Tempra 15 Plus	331926	323686	279997	286361	286369	286845	286461
Tempra 20 Plus	331926	323686	279997	286362	286369	286845	286461
Tempra 24 Plus	331926	323686	279997	286364	286369	286376	286461
Tempra 29 Plus	331926	323686	279996	286373	286369	286378	286461
Tempra 36 Plus	331926	323686	279996	286374	286369	286379	286461

	Repuestos No.						
	8	9	10	11	12	13	14
	Conexión de fontanería 3/4 pulg.	Advanced Flow Control (válvula motorizada)	Control electrónico de temperatura	Sensor de temperatura	Pantalla del filtro	Soporte de pantalla	Codo de entrada
Tempra 12 Trend	278698	---	331933	280677	056755	326141	278695
Tempra 15 Trend	278698	---	331933	280677	056755	326141	278695
Tempra 20 Trend	278698	---	331933	280677	056755	326141	278695
Tempra 24 Trend	278698	---	331933	280677	056755	326141	278695
Tempra 29 Trend	278698	---	331933	280677	056755	326141	278695
Tempra 36 Trend	278698	---	331933	280677	056755	326141	278695
Tempra 12 Plus	278698	220502	331934	280677	056755	326141	---
Tempra 15 Plus	278698	220502	331934	280677	056755	326141	---
Tempra 20 Plus	278698	220502	331934	280677	056755	326141	---
Tempra 24 Plus	278698	220502	331934	280677	056755	326141	---
Tempra 29 Plus	278698	220502	331934	280677	056755	326141	---
Tempra 36 Plus	278698	220502	331934	280677	056755	326141	---

	Repuestos No.	
	15	16
	Montaje de válvula	Pantalla LCD
Tempra 12 Trend	---	331933
Tempra 15 Trend	---	331933
Tempra 20 Trend	---	331933
Tempra 24 Trend	---	331933
Tempra 29 Trend	---	331933
Tempra 36 Trend	---	331933
Tempra 12 Plus	280622	331934
Tempra 15 Plus	280622	331934
Tempra 20 Plus	280622	331934
Tempra 24 Plus	280622	331934
Tempra 29 Plus	280622	331934
Tempra 36 Plus	280622	331934

INSTALACIÓN REPUESTOS



15. Garantía

Sujeto a los términos y condiciones expresados en esta Garantía Limitada de por vida, Stiebel Eltron, Inc. (el “Fabricante”) por la presente asegura al comprador original (el “Propietario”) que cada calentador de agua eléctrico de calor sin tanque (el “Calentador”) no deberá (i) tener fugas debido a defectos en los materiales del fabricante o mano de obra por un período de siete (7) años desde la fecha de compra o (ii) falla debido a defectos en los materiales o mano de obra del fabricante por un período de tres (3) años a partir de la fecha de compra. Como única y exclusiva solución para el Propietario en cuanto a la presente garantía, el Fabricante, a discreción del Fabricante, reparará en fábrica o reemplazará el Calentador defectuoso con una unidad o repuesto de reemplazo con características de funcionamiento comparables. La máxima responsabilidad del Fabricante en cualquier circunstancia se limitará al precio de compra del Calentador que pagó el Propietario.

Esta garantía limitada será la garantía exclusiva que el Fabricante otorga, y reemplaza todas las demás garantías, expresas o implícitas, escritas u orales, que incluyen pero no se limitan a las garantías de comerciabilidad o adecuación para un fin determinado. El Fabricante no será responsable de daños incidentales, indirectos o contingentes o gastos que surjan, de manera directa o indirecta, de cualquier defecto del Calentador o del uso del mismo. El Fabricante no será responsable por daños ocasionados por el agua o cualquier otro daño a la propiedad del Propietario que surja, de manera directa o indirecta, de cualquier defecto del Calentador o del uso del mismo. Solo el Fabricante está autorizado a conceder todas las garantías en representación del Fabricante, y ninguna declaración o garantía realizada por cualquier otra parte será vinculante para el Fabricante.

El Fabricante no será responsable de ningún daño relacionado o causado por:

1. cualquier uso indebido o falta de cuidado del Calentador, cualquier accidente que afecte al Calentador, cualquier alteración al Calentador, o cualquier otro uso incorrecto;
2. casos fortuitos o circunstancias sobre las cuales el Fabricante no tiene control;
3. instalación del Calentador que se desvíe de las directivas del Fabricante o no observe los códigos de

construcción pertinentes;

4. negligencia en cuanto a mantener el Calentador u operar el Calentador según las especificaciones del Fabricante;
5. hacer funcionar el Calentador en condiciones de presión de agua fluctuante o en caso de que el Calentador se alimente de agua no potable durante un período de cualquier duración;
6. instalación defectuosa y/o uso de materiales inapropiados por parte de cualquier instalador y que no se relacione con defectos en los repuestos o la mano de obra del Fabricante;
7. mover el Calentador de su lugar original de instalación;
8. exposición a condiciones de congelamiento;
9. los problemas de calidad del agua, como el agua corrosiva, el agua dura y agua contaminada con contaminantes o aditivos;

Si el Propietario desea devolver el Calentador al Fabricante para su reparación o reemplazo bajo esta garantía, el Propietario debe obtener primero la autorización por escrito del Fabricante. El Propietario deberá presentar una prueba de compra, incluida la fecha de compra, y será responsable de los costos de desinstalación y transporte. Si el Propietario no puede demostrar una fecha de compra, esta garantía se limitará al período que comienza a partir de la fecha de compra impresa en el Calentador. El Fabricante se reserva el derecho de negar la cobertura de esta garantía después de examinar el Calentador. Esta garantía se limita al Propietario y es intransferible.

Algunos Estados y Provincias no permiten la exclusión o limitación de ciertas Garantías. En dichos casos, las limitaciones aquí expresadas pueden no aplicarse al Propietario. En dichos casos esta Garantía se limitará al período más corto y las menores cifras de daños permitidas por ley. Esta Garantía le da derechos legales específicos y puede que usted tenga otros derechos que variarán de Estado a Estado y de Provincia a Provincia.

El Propietario será responsable de todos los costos de mano de obra y otros cargos incurridos al retirar o reparar el Calentador en el lugar de instalación. Por favor obsérvese que el Calentador debe instalarse de tal manera que, en caso de pérdida, el flujo de agua de la pérdida no dañe el lugar en que está instalado.



La compañía no acepta responsabilidad alguna por la falla de cualquier artículo suministrado que no haya sido instalado y operado de acuerdo con las instrucciones del fabricante.



La instalación, conexión eléctrica y primera operación de este artefacto debe ser realizada por un instalador calificado.

Medioambiente y reciclaje

Por favor ayúdenos a proteger el medioambiente eliminando el embalaje en concordancia con la normativa nacional para el tratamiento de residuos.

Esta Garantía solo es válida en Estados Unidos y Canadá. Las garantías pueden variar de un país a otro. Consulte a su representante de Stiebel Eltron local para conocer la Garantía correspondiente a su país.

UTILISATION

1.	Informations générales	45
2.	Sécurité	45
2.1	Utilisation conforme	45
2.2	Précautions de sécurité	46
2.3	Label de conformité	46
2.4	Homologation	46
3.	Inscrivez votre produit	46
4.	Généralités	46
4.1	Apparence générale	47
5.	Utilisation de l'afficheur	48
5.1	Entrée utilisateur	48
5.2	Entrée utilisateur du Tempra Trend	48
5.3	Entrée utilisateur du Tempra Plus	49

INSTALLATION

6.	Configuration de l'installation	53
7.	Montage de l'appareil	53
7.1	Dimensions de montage	53
7.2	Instructions de montage	53
8.	Raccords d'eau	54
9.	Raccordement électrique	55
9.1	Tracé du circuit	55
9.2	Connexion de circuit	56
9.3	Bloc de câblage	57
10.	Mise en service du chauffe-eau	57
11.	Entretien de routine	57
12.	Dépannage	57
12.1	Signalisation des codes d'erreur du Tempra Plus	57
12.2	Renouveler l'interrupteur thermique de sécurité	58
13.	Caractéristiques techniques	59
13.1	Tempra Trend	59
13.2	Tempra Plus	60
13.3	Montée en température au-dessus de la température d'eau ambiante	61
13.4	Dimensions	62
13.5	Schéma de câblage	63
14.	Pièces de rechange	64
15.	Garantie	66

UTILISATION

1. Informations générales

Veillez lire ce manuel dans son intégralité. Le non-respect des directives contenues dans les guides, les instructions et les règlements pourrait entraîner des dégâts matériels ou des blessures. Des installations, réglages, modifications, entretiens et utilisations non conformes de cet appareil pourraient provoquer des blessures graves.

Cet appareil doit être installé par un électricien et un plombier agréés. L'installation doit se faire conformément aux codes de l'électricité et de la plomberie en vigueur au niveau national, provincial et local. Il incombe à l'installateur de veiller à ce que l'installation soit faite correctement. Le non-respect des directives d'installation et du mode d'emploi, ou une utilisation incorrecte aura pour effet d'annuler la garantie.

Conserver ces instructions pour consultation ultérieure. L'installateur doit laisser ces instructions au consommateur.

Pour toute question relative à l'installation, l'utilisation ou le fonctionnement de ce chauffe-eau, ou si vous avez besoin de manuels d'installation supplémentaire, veuillez vous adresser à notre service technique en composant le (800) 582-8423 (Canada et États-Unis uniquement). Si vous appelez depuis un pays autre que le Canada ou les États-Unis, veuillez composer le USA 413-247-3380 et nous vous mettrons en contact avec un centre d'entretien Stiebel Eltron agréé situé dans votre région.



Symbole d'alerte à la sécurité. Il sert à vous avertir qu'il existe un danger de blessure potentiel. Respectez tous les messages relatifs à la sécurité mentionnés après ce symbole pour éviter la possibilité de blessure, voire de décès.

2. Sécurité

Respectez les consignes suivantes et les prescriptions de sécurité.

N'utilisez cet appareil que s'il est complètement installé et doté de tous les dispositifs de sécurité.

2.1 Utilisation conforme

L'appareil est destiné au chauffage de l'eau sanitaire et peut alimenter plusieurs points de soutirage.

Tout autre usage au-delà de ce qui est décrit sera jugé inapproprié et pourrait annuler la garantie du fabricant.

Le respect de la présente notice faite également partie de l'utilisation conforme de cet appareil.

2.2 Précautions de sécurité



DANGER: Blessure
Lisez et respectez la présente notice, Le non-observation de cette notice peut entraîner des blessures très graves, voire la mort,



DOMMAGES SUR L'APPAREIL ET SUR L'ENVIRONNEMENT:
L'appareil doit être installé par un installateur agréé, L'installation doit satisfaire à toutes les prescriptions nationales, régionales et locales, La maintenance de l'appareil doit être effectuée par un installateur qualifié,



DANGER: Électrocution
Avant d'effectuer les travaux d'installation, de paramétrage, de modification ou de maintenance sur cet appareil, coupez tous les disjoncteurs et sectionneurs de l'alimentation électrique de l'appareil, La non-observation de ces consignes peut entraîner des blessures très graves, voire la mort. Ne retirez le capot de l'appareil qu'une fois l'alimentation électrique de l'appareil coupée, La non-observation de cette consigne peut entraîner des blessures, voire la mort. L'appareil doit être relié correctement à la terre, L'absence de liaison à la terre du produit peut entraîner des blessures très graves, voire la mort.



DANGER: Brûlures
L'eau à des températures supérieures à 52 °C (125 °F) peut entraîner des brûlures immédiates graves, voire la mort par ébullition, Le danger d'ébullition par eau brûlante existe lorsque le thermostat de l'appareil est sur un réglage trop élevé, Dans les foyers avec des enfants en bas âge, des personnes handicapées ou âgées, il peut être nécessaire de régler le thermostat sur 45 °C (113 °F) ou moins pour éviter les blessures dues à l'eau chaude.



AVERTISSEMENT: Risque de blessures
Si des enfants ou des personnes aux capacités physiques, sensorielles ou mentales réduites sont autorisées à utiliser cet appareil, il convient de s'assurer qu'ils l'utilisent uniquement quand ils sont supervisés ou s'ils ont été instruits par la personne responsable de leur sécurité, Veillez à ce que les enfants ne jouent pas avec l'appareil.

2.3 Label de conformité

Voir la plaque signalétique de l'appareil.

2.4 Homologation

- UL (U.S.A) norme 499
- CSA (Canada) norme C22.2 No.88
- NSF/ANSI 372

3. Inscrivez votre produit



Vous devez inscrire votre produit dans les 90 jours qui suivent la date d'achat sur notre site internet pour activer la garantie normale ou pour pouvoir réclamer la garantie prolongée, Rendez-vous à notre site internet à l'adresse suivante : www.stiebel-eltron-usa.com et cliquez sur « Register Your Product » (inscrivez votre produit).

Avant de lancer le processus d'inscription, nous vous conseillons d'avoir à portée de main la documentation nécessaire, à savoir :

Modèle, Exemple : Tempra 24 Plus

Numéro apparaissant après « Nr, » (N°)

Lieu d'achat

Date d'achat

Prénom et nom de famille

Adresse courriel

Adresse postale

Numéro de téléphone

Date d'installation

En cas de questions à propos du processus d'inscription ou des options pour la garantie, veuillez contacter Stiebel Eltron USA directement en composant le (800) 582-8423.

4. Généralités

Les appareils Tempra Trend et Tempra Plus ont été conçus pour la production d'eau chaude dans une maison, un appartement ou pour répondre à certaines applications commerciales. Contrairement à un chauffe-eau conventionnel à accumulateur incorporé, le chauffe-eau Tempra sans réservoir ne stocke pas d'eau chaude mais la chauffe instantanément au fur et à mesure qu'elle s'écoule de l'appareil. Le chauffe-eau Tempra offre un meilleur rendement énergétique qu'un chauffe-eau à accumulateur en raison de l'absence des pertes à vide et de la réduction des tuyauteries d'eau chaude.

Le chauffage de l'eau est commandé électroniquement. Les Tempra fournissent de l'eau à des températures comprises entre 20 °C (68 °F) et 60 °C (140 °F). Réglez la température désirée avec le bouton de réglage qui se trouve sur la face avant. Le bouton de réglage de la température du Tempra peut être réglé sur : ARRÊT, de 20 à 60 °C (de 68 à 140 °F).

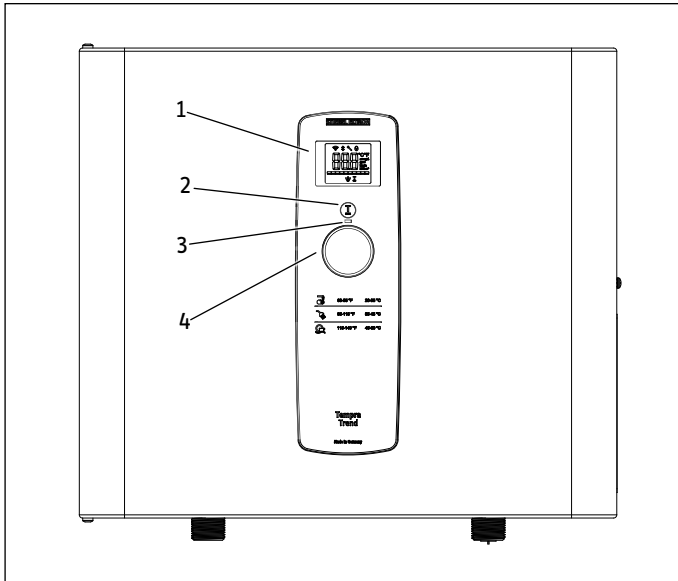
Pour des raisons d'efficacité et de durée de vie (entartrage), la plage de réglage optimale de la température se situe entre 30 °C (86 °F) et 50 °C (120 °F).

Le Tempra est doté d'un afficheur intégré qui permet une personnalisation en fonction de l'utilisateur et un contrôle par retour de l'information.

UTILISATION GÉNÉRALITÉS

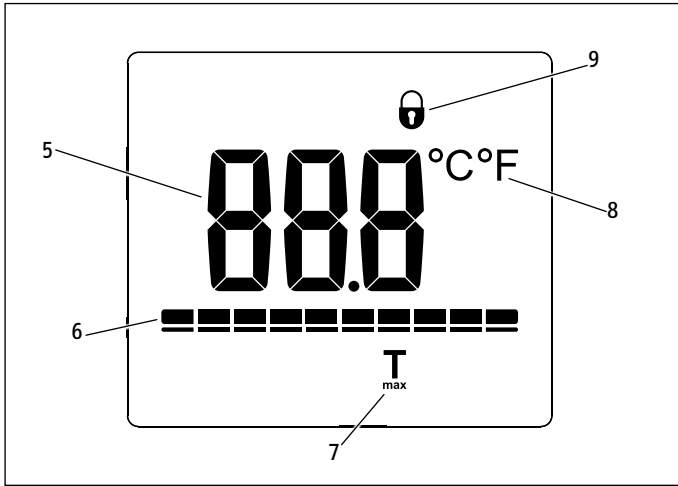
4.1 Apparence générale

4.1.1 Tempra Trend



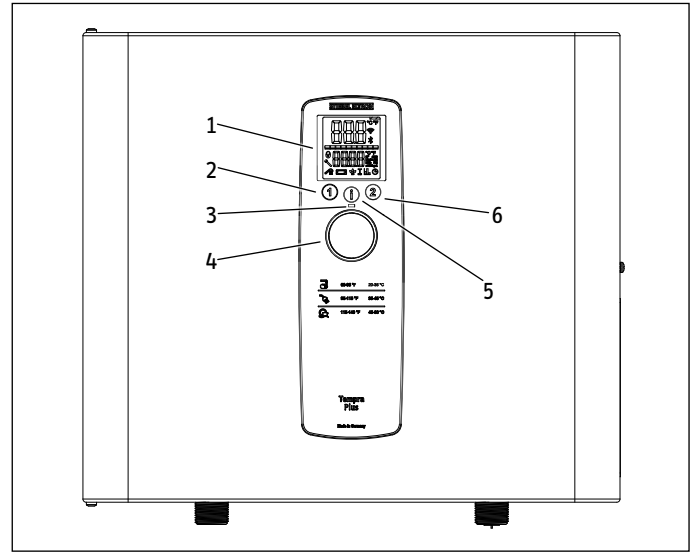
- 1 Afficheur
- 2 Bouton de T_{max}
- 3 Témoin DEL Power (alimentation)
- 4 Bouton de réglage

Bouton de réglage Tempra Trend



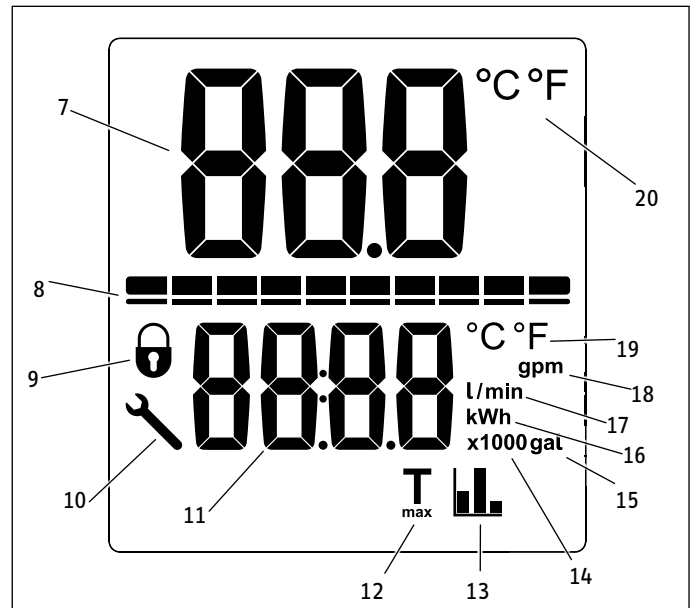
- 5 Afficheur numérique
- 6 État de capacité énergétique
- 7 Indicateur T_{max}
- 8 Témoin de l'unité de température
- 9 Témoin du blocage de l'afficheur

4.1.2 Tempra Plus



- 1 Afficheur
- 2 Préréglage 1
- 3 Témoin DEL Power (alimentation)
- 4 Bouton de réglage
- 5 Bouton de information
- 6 Préréglage 2

Bouton de réglage Tempra Plus



- 7 Afficheur numérique principal
- 8 État de capacité énergétique
- 9 Témoin du blocage de l'afficheur
- 10 Symbole de code d'erreur
- 11 Afficheur numérique secondaire
- 12 Indicateur T_{max}
- 13 Indicateur des statistiques relatives aux économies
- 14 Valeur de l'afficheur secondaire x1000
- 15 Unité de l'afficheur secondaire gallons
- 16 Unité de l'afficheur secondaire kWh
- 17 Unité de l'afficheur secondaire litres et litres par minute
- 18 Unité de l'afficheur secondaire gallons par minute
- 19 Unité de température pour l'afficheur secondaire
- 20 Unité de température pour l'afficheur principal

5. Utilisation de l’afficheur

5.1 Entrée utilisateur

Le Tempra Trend et le Tempra Plus sont dotés d’un afficheur interactif qui permet de personnaliser en fonction de l’utilisateur afin d’accroître le niveau de confort de celui-ci.

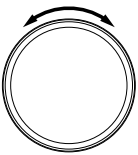
La structure du menu est conçue de manière intuitive et linéaire pour faciliter au maximum la navigation.

5.1.1 Entrée utilisateur Tempra Trend

Entrée utilisateur



Bouton de T_{max}



Bouton de réglage (tournez le bouton pour modifier les paramètres)

5.1.2 Entrée utilisateur Tempra Plus

Entrée utilisateur



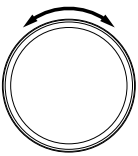
Bouton de information



Préréglage 1



Préréglage 2



Bouton de réglage (tournez le bouton pour modifier les paramètres)

5.2 Entrée utilisateur du Tempra Trend

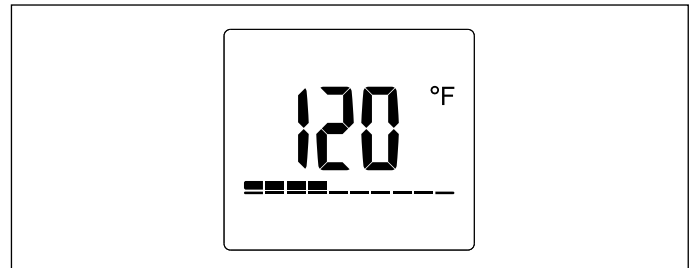
L’afficheur du Tempra Trend est composé d’un afficheur de température et de capacité énergétique. L’afficheur est rétroéclairé et s’allume chaque fois qu’une entrée utilisateur est détectée. Le rétroéclairage est contrôlé par une minuterie et s’éteindra si aucune activité utilisateur n’est détectée pendant 15 secondes.

Pour identifier chaque élément de l’affichage sur le Tempra Trend, consultez la section « Tempra Trend » à la page 47.

5.2.1 Écran d’accueil

L’écran d’accueil indique la valeur de réglage actuelle de la température dans l’unité de température sélectionnée par l’utilisateur. La barre au-dessous de la température montre la capacité opérationnelle actuelle. Lorsque la demande en eau chaude fluctue, l’état de capacité énergétique change pour afficher entre 0 et 10 segments. L’afficheur ci-dessous montre que le chauffe-eau fonctionne à 40% de sa capacité.

Tous les autres écrans du menu reviendront à cet écran soit au bout de 15 secondes après la dernière entrée utilisateur, soit au bout de 5 secondes si le bouton T_{max} est maintenu enfoncé.



Changer la température réglée

La température réglée peut se situer entre 20 °C (68 °F) et 60 °C (140 °F).

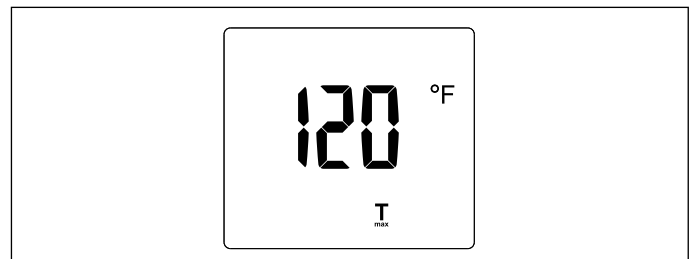
La valeur réglée peut être augmentée en tournant le bouton de réglage dans le sens horaire et diminuée en le tournant dans le sens antihoraire. Le chauffe-eau peut être désactivé lorsqu’il est branché en tournant le bouton de réglage dans le sens antihoraire au-delà du réglage de 20 °C (68 °F).

5.2.2 Menu des paramètres

Dans l’écran d’accueil, le fait de maintenir le bouton T_{max} enfoncé pendant 5 secondes va permettre d’accéder au menu des paramètres.

Réglage des paramètres T_{max}

Le premier menu des paramètres permet de programmer la valeur pour T_{max} . La valeur de T_{max} sert de limite supérieure de la température. Si la valeur de T_{max} est définie, la valeur de réglage du chauffe-eau ne peut pas dépasser la valeur de T_{max} . Cette fonction est utile lorsqu’il y a un risque de brûlures causées par l’eau chaude.



Au menu de réglage de T_{max} , l’afficheur clignote, indiquant que la valeur peut être modifiée en tournant le bouton de réglage. La valeur de T_{max} peut être augmentée en tournant le bouton de réglage dans le sens horaire et diminuée en le tournant dans le sens antihoraire. La valeur de T_{max} peut être désactivée en tournant le bouton de réglage dans le sens antihoraire au-delà du réglage

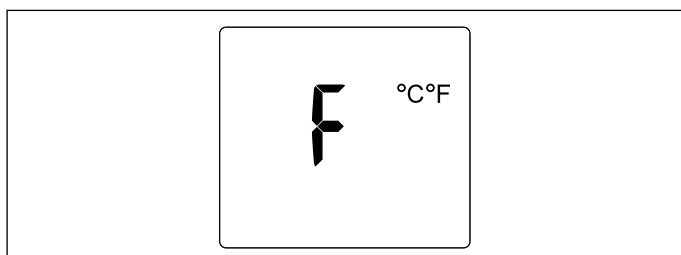
de 20 °C (68 °F). L’afficheur indiquera « Off » si la valeur T_{max} est inactive.

Si le symbole de T_{max} est visible dans l’écran d’accueil, cela indique que la fonction T_{max} est active et limite la température maximale autorisée.

En appuyant sur le bouton T_{max} une fois alors que vous vous trouvez dans cet écran, vous pourrez accéder à l’écran de réglage des paramètres des unités de température.

Réglage des paramètres d’unité de température

Le Tempra Trend peut afficher la température en degrés Fahrenheit ou Celsius.

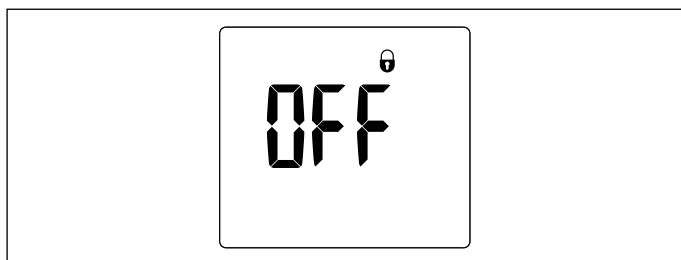


L’unité utilisée à ce moment sera affichée et tout l’écran clignotera pour indiquer que la valeur peut être changée. Faites tourner le bouton de réglage pour basculer entre Fahrenheit et Celsius.

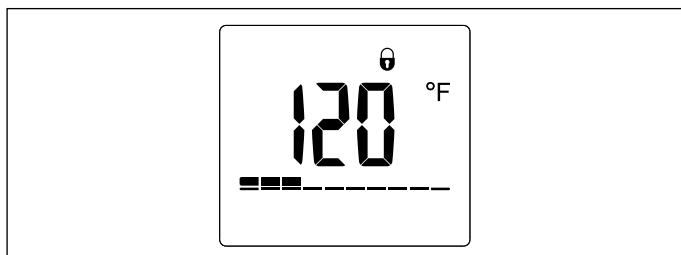
En appuyant sur le bouton T_{max} une fois alors que vous trouvez dans cet écran, vous pourrez accéder à l’écran de réglage des paramètres de blocage de l’afficheur.

Réglage des paramètres de blocage de l’afficheur

L’afficheur peut être bloqué pour empêcher toute modification de la valeur de la température définie. Le menu clignote, indiquant que la valeur peut être modifiée en tournant le bouton de réglage. Lorsque « Off » est affiché, le blocage n’est pas activé. Le blocage est actif lorsque « On » est affiché.



Si le paramètre du blocage de l’afficheur est réglé sur « On », et si l’utilisateur maintient le bouton T_{max} enfoncé pendant 5 secondes ou attend 15 secondes que l’afficheur se mette en veille, le blocage de l’afficheur est activé.



Avec le blocage de l’afficheur activé, un cadenas s’affiche sur l’écran d’accueil et aucun paramètre ne peut être changé. Pour désactiver le blocage, maintenez le bouton T_{max} enfoncé pendant 12 secondes. Le cadenas disparaîtra de l’afficheur et il sera à nouveau possible de changer les paramètres.

En appuyant sur le bouton T_{max} une fois alors que vous vous trouvez dans cet écran, vous pourrez retourner au menu de réglage des paramètres T_{max} .

5.2.3 Retourner à l’écran d’accueil

Lorsque vous naviguez les menus de l’afficheur et que vous vous trouvez dans n’importe quel menu autre que l’écran d’accueil, le fait de maintenir le bouton T_{max} enfoncé pendant 5 secondes va faire revenir l’affichage à l’écran d’accueil. De plus, l’afficheur reviendra à l’écran d’accueil au bout de 15 secondes d’inactivité de la part de l’utilisateur.

5.3 Entrée utilisateur du Tempra Plus

Le Tempra Plus possède un afficheur avec un affichage principal et un affichage secondaire : vous pouvez ainsi afficher plusieurs paramètres ou informations. Le Tempra Plus est capable d’afficher le débit d’eau actuel passant par le chauffe-eau, mais aussi de calculer les économies d’énergie réalisées grâce au chauffe-eau sans réservoir comparé à un chauffe-eau avec réservoir.

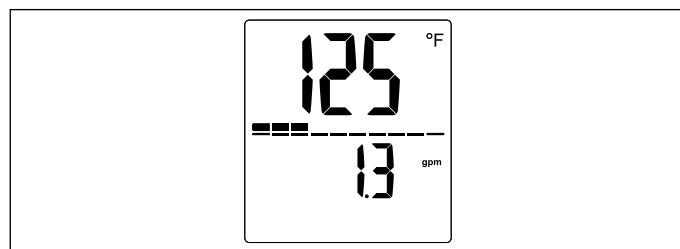
Pour identifier chaque élément de l’affichage sur le Tempra Plus, consultez la section « 4.1.2 Tempra Plus » à la page 47.

5.3.1 Écran d’accueil

L’écran d’accueil du Tempra Plus affiche la température réglée actuelle dans l’unité de température qui a été sélectionnée dans la moitié supérieure de l’afficheur.

La barre au-dessous de la température indique la fraction actuelle de la capacité totale à laquelle le chauffe-eau fonctionne. Lorsque la demande en eau chaude fluctue, l’état de capacité énergétique change pour afficher entre 0 et 10 segments. L’afficheur ci-dessous montre que le chauffe-eau fonctionne à 30% de sa capacité.

La moitié inférieure de l’afficheur indique le débit de l’eau passant par l’appareil soit en gallons par minute (gpm) soit en litres par minute (l/min).



Tous les autres menus reviendront à l’écran d’accueil soit au bout de 15 secondes après la dernière entrée utilisateur, soit au bout de 5 secondes si le bouton Informations est maintenu enfoncé.

UTILISATION

UTILISATION DE L’AFFICHEUR

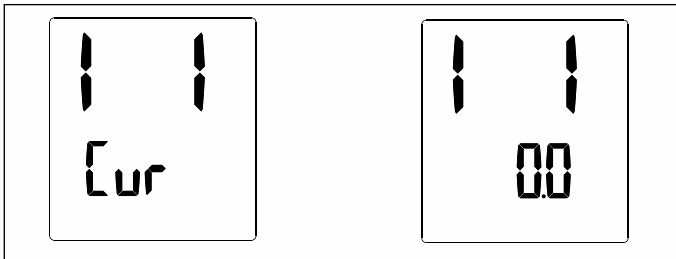
5.3.2 Menu des informations

La structure du menu des informations affiche des informations supplémentaires à l’intention de l’utilisateur. Vous accédez au menu des informations en appuyant sur le bouton Informations lorsque vous êtes dans l’écran d’accueil.

Affichage des économies totales réalisées

Si vous appuyez sur le bouton Informations alors que l’écran d’accueil est affiché, l’afficheur passera à l’affichage des économies totales réalisées.

L’affichage des économies totales réalisées indiquera « l1 » dans la moitié supérieure de l’afficheur, et la moitié inférieure basculera entre « Cur » et les économies réalisées avec le chauffe-eau.



Le total des économies réalisées sera mis à jour quotidiennement et représente une estimation des économies réalisées par l’utilisateur comparées à une installation avec un chauffe-eau avec réservoir.

L’estimation des économies est basée sur le coût de l’électricité. Pour une estimation très précise, le coût de l’électricité par kWh doit être défini dans le menu des paramètres relatifs au coût de l’électricité. Pour plus de détails sur cette procédure, consultez la section « Réglage des paramètres relatifs au coût de l’électricité » à la page 51.

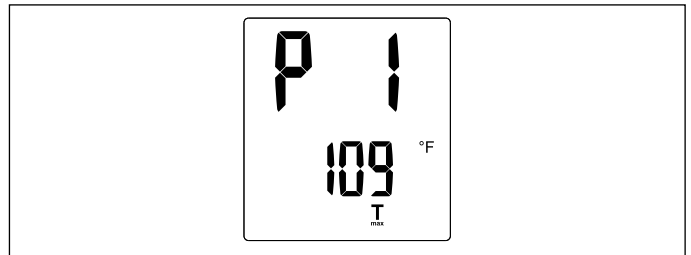
Le fait d’appuyer sur le bouton Informations vous renverra à l’écran d’accueil. L’afficheur reviendra aussi à l’écran d’accueil si aucune entrée utilisateur n’est détectée pendant 15 secondes.

5.3.3 Menu des paramètres

Le menu des paramètres permet de modifier plusieurs paramètres sur le Temptra Plus. Vous pourrez accéder au menu des paramètres en maintenant le bouton Informations enfoncé pendant 5 secondes.

Réglage des paramètres T_{max}

Le premier menu des paramètres permet de programmer la valeur pour T_{max} . La valeur de T_{max} sert de limite supérieure de la température. Si la valeur de T_{max} est définie, la valeur de réglage du chauffe-eau ne peut pas dépasser la valeur de T_{max} . Cette fonction est utile lorsqu’il y a un risque de brûlures causées par l’eau chaude.



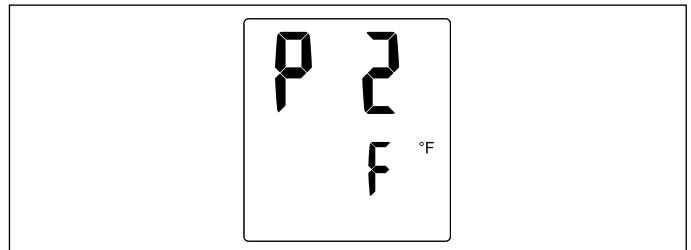
Au menu de réglage de T_{max} , la valeur de la température clignote, indiquant que la valeur peut être modifiée en tournant le bouton de réglage. La valeur de T_{max} peut être augmentée en tournant le bouton de réglage dans le sens horaire et diminuée en le tournant dans le sens antihoraire. La valeur de T_{max} peut être désactivée en tournant le bouton de réglage dans le sens antihoraire au-delà du réglage de 20 °C (68 °F). L’afficheur indiquera « Off » si la valeur T_{max} est inactive.

Si le symbole de T_{max} est visible dans l’écran d’accueil, cela indique que la fonction T_{max} est active et limite la température maximale autorisée.

En appuyant sur le bouton Informations une fois alors que vous trouvez dans ce menu, vous pourrez accéder à l’écran de réglage des paramètres des unités de température.

Réglage des paramètres d’unité de température

Le Temptra Plus peut afficher la température en degrés Fahrenheit ou Celsius.

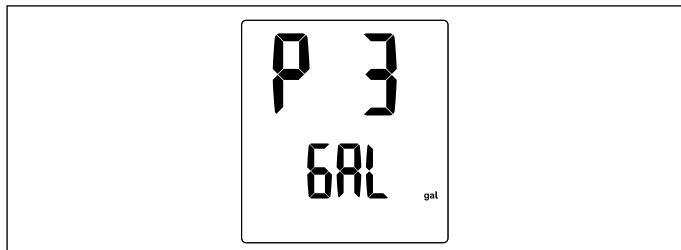


L’unité utilisée à l’instant sera affichée et la valeur de l’affichage secondaire clignotera pour indiquer que la valeur peut être changée. Faites tourner le bouton de réglage pour basculer entre Fahrenheit et Celsius.

En appuyant sur le bouton Informations une fois alors que vous trouvez dans ce menu, vous pourrez accéder à l’écran de réglage des paramètres des unités de volume.

Réglage des paramètres d’unité de volume

Le Tempra Plus peut afficher le volume ou le débit soit en gallons par minute (gpm) soit en litres par minute (l/min).

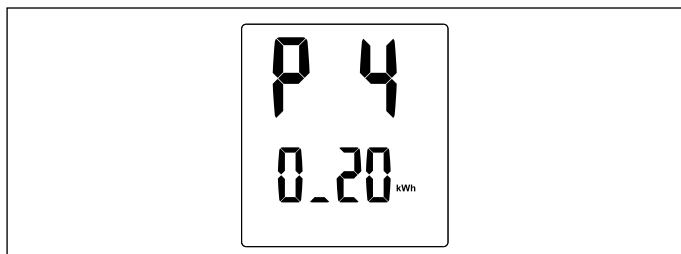


L’unité de volume utilisée à l’instant sera affichée et la valeur clignotera pour indiquer qu’elle peut être changée. Faites tourner le bouton de réglage pour basculer entre gallons par minute et litres par minute.

En appuyant sur le bouton Informations une fois alors que vous vous trouvez dans ce menu, vous pourrez accéder à l’écran de réglage des paramètres relatifs au coût de l’électricité.

Réglage des paramètres relatifs au coût de l’électricité

Le Tempra Plus possède une fonction intégrée qui calcule les économies d’énergie réalisées par l’appareil comparées à l’énergie utilisée moyenne par un chauffe-eau avec réservoir. Pour que cette fonction soit précise, le coût par kWh de l’électricité doit être programmé dans le logiciel.

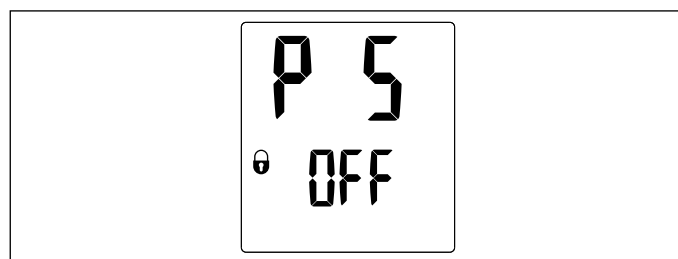


L’affichage secondaire clignotera pour indiquer que la valeur peut être modifiée en tournant le bouton de réglage. Examinez votre facture d’électricité pour déterminer le coût de l’électricité.

En appuyant sur le bouton Informations une fois alors que vous vous trouvez dans ce menu, vous pourrez accéder à l’écran de réglage des paramètres de blocage de l’afficheur.

Réglage des paramètres de blocage de l’afficheur

L’afficheur peut être bloqué pour empêcher toute modification facile de la valeur de la température définie. Le menu clignote, indiquant que la valeur peut être modifiée en tournant le bouton de réglage. Lorsque « Off » est affiché, le blocage n’est pas activé. Le blocage est actif lorsque « On » est affiché.



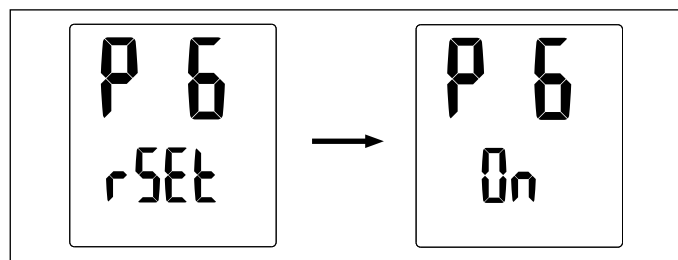
Si le paramètre du blocage de l’afficheur est réglé sur « On », et si l’utilisateur maintient le bouton Informations enfoncé pendant 5 secondes ou attend 15 secondes que l’afficheur se mette en veille, le blocage de l’afficheur est activé.

Avec le blocage de l’afficheur activé, un cadenas s’affiche sur l’écran d’accueil et aucun paramètre ne peut être changé. Pour désactiver le blocage, maintenez le bouton Informations enfoncé pendant 12 secondes. Le cadenas disparaîtra et il sera à nouveau possible de changer les paramètres.

En appuyant sur le bouton Informations une fois alors que vous vous trouvez dans cet écran, vous pourrez accéder au menu du paramètre de réinitialisation des réglages d’usine.

Paramètre de réinitialisation des réglages d’usine

La valeur de la température réglée, les valeurs prédéfinies, les unités de température et de volume peuvent toutes être remises aux valeurs des réglages d’usine.

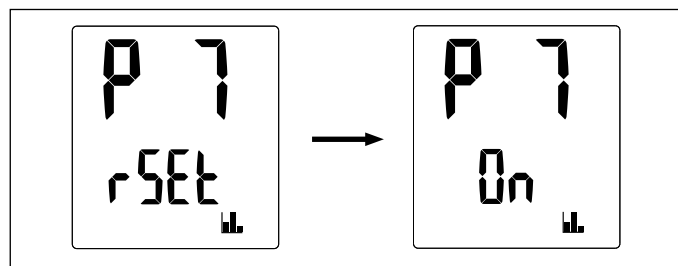


Tout l’affichage clignotera pour indiquer que la valeur peut être modifiée en tournant le bouton de réglage. Lorsque la valeur est réglée sur « On », la réinitialisation doit être confirmée en maintenant le Bouton 1 et le Bouton 2 enfoncés simultanément pendant 5 secondes.

En appuyant sur le bouton Informations, vous pourrez accéder à l’affichage du paramètre de réinitialisation des économies réalisées.

Paramètre de réinitialisation des économies réalisées

Tout comme le paramètre de réinitialisation des réglages d’usine, la valeur calculée des économies réalisées peut être remise à zéro.



UTILISATION

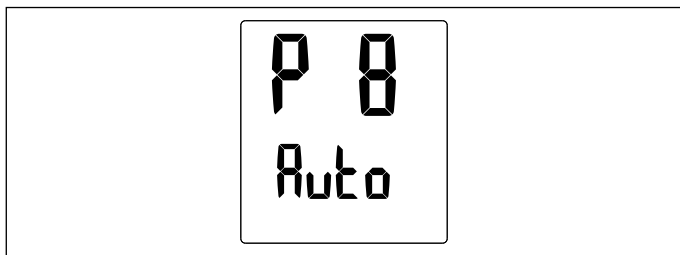
UTILISATION DE L’AFFICHEUR

Tout l’affichage clignotera pour indiquer que la valeur peut être modifiée en tournant le bouton de réglage. Lorsque la valeur est réglée sur « On », la réinitialisation doit être confirmée en maintenant le Bouton 1 et le Bouton 2 enfoncés simultanément pendant 5 secondes.

En appuyant sur le bouton Informations une fois, vous pourrez accéder à l’écran du paramètre de mise en veille du rétroéclairage de l’affichage.

Paramètre de mise en veille du rétroéclairage de l’affichage

Le rétroéclairage de l’affichage peut être réglé de façon à être toujours allumé ou en mode automatique qui se désactive lorsqu’aucune entrée utilisateur n’est détectée pendant 15 secondes.

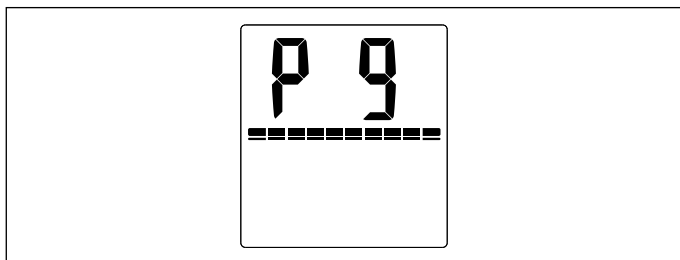


Tout l’affichage et le rétroéclairage clignoteront pour indiquer que la valeur peut être modifiée en tournant le bouton de réglage. Lorsque la valeur est réglée sur « On », le rétroéclairage restera allumé. Lorsque la valeur est réglée sur « Auto », il s’éteindra automatiquement au bout de 15 secondes sans activité.

En appuyant sur le bouton Informations une fois alors que vous vous trouvez dans ce menu, vous pourrez accéder à l’écran du menu du paramètre de luminosité du rétroéclairage de l’affichage.

Paramètre de luminosité du rétroéclairage de l’affichage

La luminosité du rétroéclairage de l’affichage peut être réglée sur deux paramètres différents. Un réglage haut et bas permet de personnaliser la luminosité en fonction de l’éclairage à l’endroit où l’appareil est installé.



La barre d’état de la capacité d’alimentation indique le réglage de luminosité. Une barre de capacité complète indique que la luminosité est réglée sur « haut ». Une barre de capacité à moitié indique que la luminosité est réglée sur « bas ».

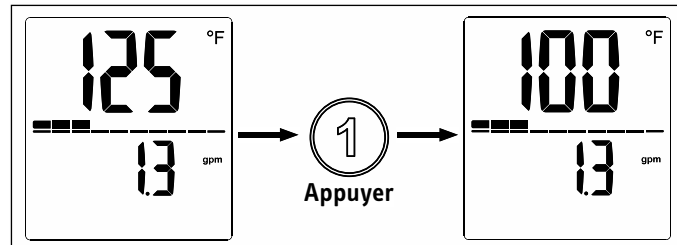
En appuyant sur le bouton Informations une fois alors que vous vous trouvez dans ce menu, vous pourrez retourner à la page de réglage des paramètres de T_{max} .

5.3.4 Options pour le pré-réglage de la température

Le Tempra Plus présente deux réglages prédéfinis pour les températures permettant de définir les températures réglées rapidement. Les Boutons 1 et 2 peuvent mémoriser chacun une valeur de température réglée indépendante.

Changer les valeurs prédéfinies de la température réglée

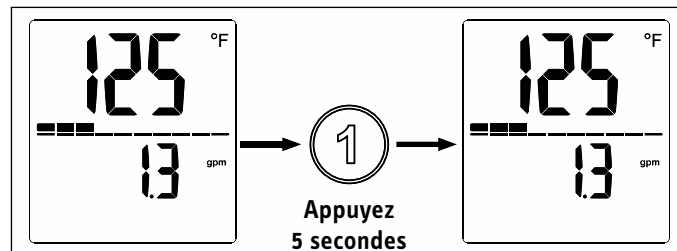
Lorsque l’afficheur est à l’écran d’accueil, l’utilisateur peut appuyer soit sur le Bouton 1, soit sur le Bouton 2 pour modifier la valeur mémorisée de la température réglée associée à chaque bouton.



Lorsque vous appuyez sur le bouton, la valeur de la température réglée va passer à la valeur qui a été mémorisée jusqu’à ce moment.

Changer les valeurs prédéfinies

Les valeurs prédéfinies peuvent être changées des valeurs par défaut.



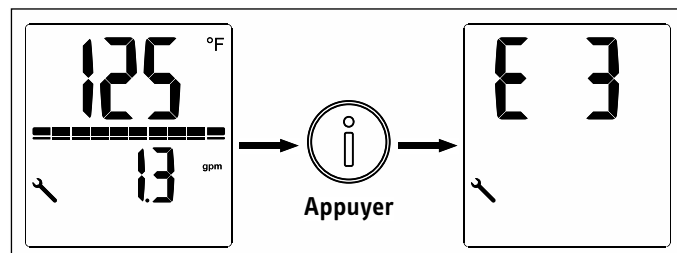
Pour changer la valeur du pré-réglage 1 ou du pré-réglage 2, tournez d’abord le bouton de réglage à la température que vous voulez définir comme la valeur prédéfinie. Puis maintenez le bouton de pré-réglage enfoncé pendant 5 secondes. L’affichage clignotera pour indiquer que la valeur pré-réglée a bien été modifiée.

5.3.5 Retourner à l’écran d’accueil

Lorsque vous naviguez les menus de l’afficheur et que vous vous trouvez dans n’importe quel menu autre que l’écran d’accueil, le fait de maintenir le bouton Informations enfoncé pendant 5 secondes va faire revenir l’affichage à l’écran d’accueil. De plus, l’afficheur reviendra à l’écran d’accueil au bout de 15 secondes d’inactivité de la part de l’utilisateur.

5.3.6 Menu d’erreurs du Tempra Plus

Si le Tempra plus a une erreur, le symbole d’une clé s’allume dans la partie inférieure gauche de l’afficheur.



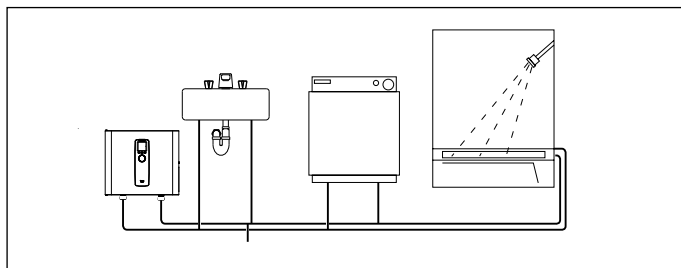
Lorsque la clé est affichée, appuyez sur le bouton Information pour afficher la page d’affichage des erreurs. Consultez la section « 5.3.6 Menu d’erreurs du Tempra Plus » à la page 52 pour plus de détails pour interpréter le code d’erreur signalé.

INSTALLATION

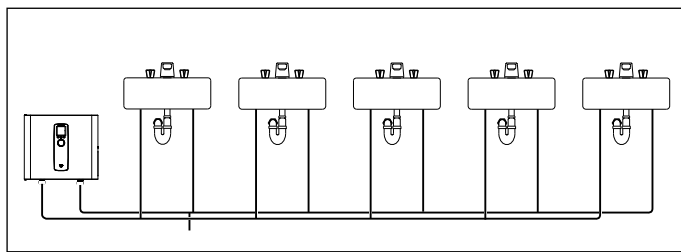
6. Configuration de l'installation

Le Tempra est conçu pour les applications suivantes.

Installation sanitaire typique des habitations



Installation sanitaire typique des locaux commerciaux



7. Montage de l'appareil



AVERTISSEMENT: L'appareil doit être installé en position verticale, raccords d'eau dirigés vers le bas.



ATTENTION: Ne pas installer l'appareil dans un endroit où il risque d'être régulièrement éclaboussé d'eau. Une électrocution pourrait se produire.

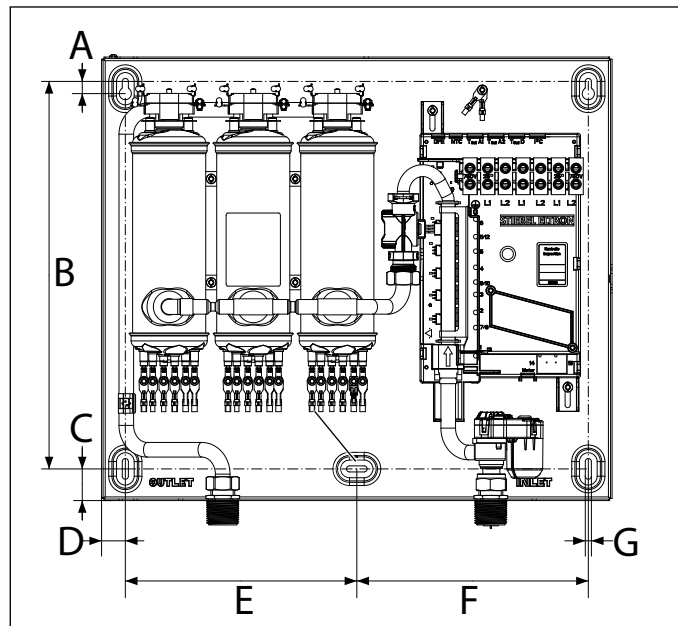


ATTENTION: Les canalisations d'écoulement d'eau chaude quittant l'appareil peuvent être chaudes au toucher. Il faut isoler les canalisations d'écoulement d'eau chaudes situées à moins de 91 cm (36 po) à cause du risque de brûlures encouru par les enfants.



AVIS: Cet appareil ne doit pas être installé à un endroit susceptible d'être exposé au gel (températures inférieures à 2° C [36° F]). Si l'appareil risque d'être exposé au gel, il faut purger toute l'eau de l'appareil. Le non-respect de cette directive annule toutes les garanties. L'appareil doit être situé dans un endroit où les fuites d'eau provenant de l'appareil ou des franchements ne risquent pas d'entraîner des dommages à son environnement immédiat. Si l'installation ne peut avoir lieu ailleurs, il est conseillé d'installer un bac de récupération sous l'appareil.

7.1 Dimensions de montage



Dimensions

A 10 mm (3/8 po)

B 318 mm (12 1/2 po)

C 26 mm (1 po)

D 20 mm (3/4 po)

E 190 mm (7 1/2 po)

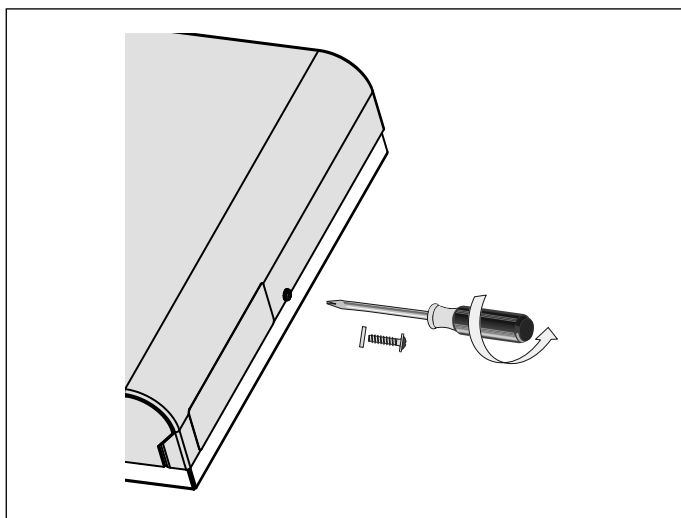
F 190 mm (7 1/2 po)

G 5 mm (3/16 po)

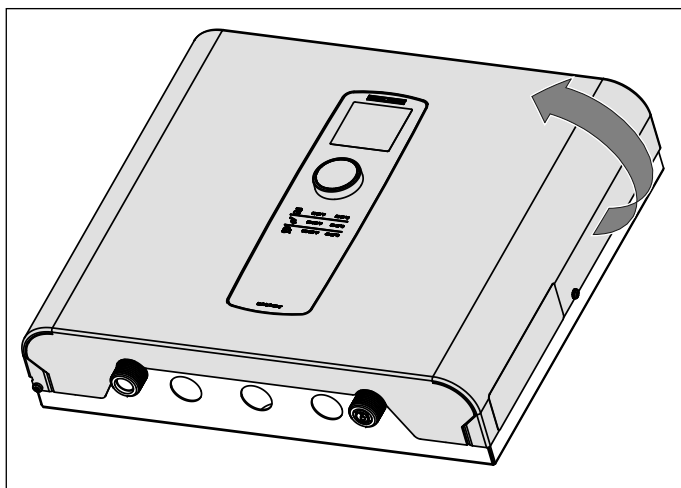
7.2 Instructions de montage

Installez le Tempra le plus près possible des points principaux de prélèvement d'eau chaude.

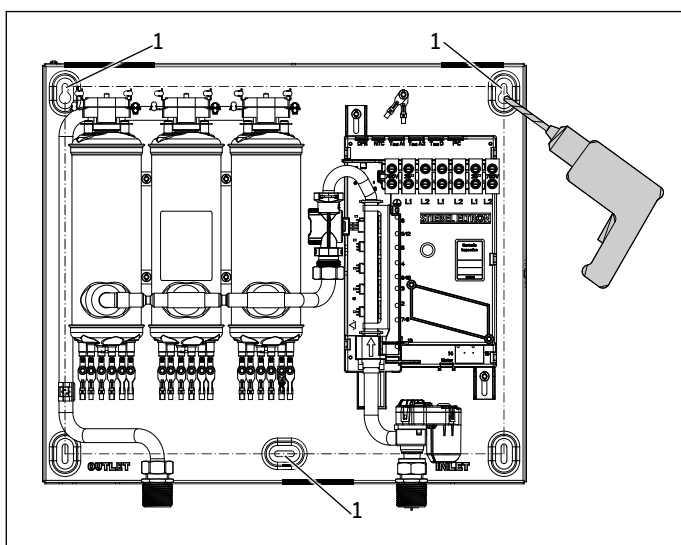
- Installez le Tempra dans un local à l'abri du gel. En cas de risque de gel, déposez l'appareil avant l'arrivée du gel.
- Laissez un espace minimum de 120 mm (5 po) environ de chaque côté pour l'entretien.



- Enlevez la vis du capot.



- Ouvrez le capot avant.



- 1 Trous de montage

- Fixez l'appareil au mur solidement en plaçant au moins trois vis dans les trous de fixation. Les vis et les pièces d'ancrage au mur en plastique pour montage dans un ouvrage en maçonnerie ou en bois sont fournies.

8. Raccords d'eau

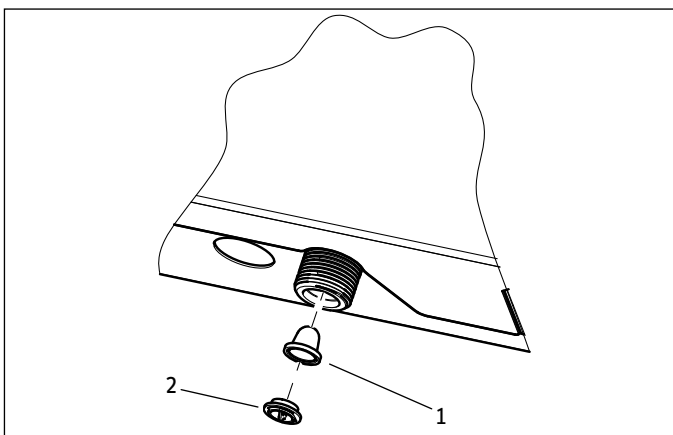


AVIS: Une chaleur excessive due au soudage des tuyauteries en cuivre à proximité du Tempra peut endommager l'appareil. Le branchement d'eau froide vers l'appareil doit être déconnecté régulièrement pour nettoyer l'écran du filtre. Il est nécessaire d'utiliser des raccords d'eau qui puissent se déconnecter facilement comme des raccords flexibles en acier tressé.



AVIS: L'eau dure ou l'eau avec une teneur élevée en minéraux peut endommager l'appareil. Les dégâts causés par le tartre ou une teneur élevée en minéraux ne sont pas couverts par la garantie.

- Tous les travaux de plomberie doivent être réalisés conformément aux réglementations nationales, régionales et locales applicables.
- Un réducteur de pression doit être installé si la pression de l'alimentation en eau froide est supérieure à 10 bars (150 psi).
- Vérifiez que la tuyauterie d'arrivée d'eau froide a bien été rincée pour enlever les dépôts ou les saletés.
- Les Tempra comportent aussi un filtre crépine à nettoyer de temps en temps. Nettoyez le filtre crépine puis remettre le filtre et la rondelle en place.



- 1 Filtre crépine
- 2 Rondelle

- Le raccord d'eau froide (arrivée) se trouve sur la droite de l'appareil et le raccord d'eau chaude (prélèvement) du côté gauche.



NOTICE: Il n'est pas nécessaire d'équiper un chauffe-eau sans réservoir comme Tempra d'une soupape de sécurité de pression et de température (P&T). Si le contrôleur local n'agrée pas l'installation sans soupape P&T, il est possible d'en installer une du côté prélèvement de l'eau chaude sur l'appareil.

- Le Tempra est conçu pour un raccordement sur tuyauterie en cuivre, en PEX ou sur flexible en acier inoxydable tressé avec filetage conique femelle 3/4 po. NPT.

INSTALLATION

RACCORDEMENT ÉLECTRIQUE

- ▶ Le branchement d'eau froide vers l'appareil doit être déconnecté régulièrement pour nettoyer l'écran du filtre. Il est nécessaire d'utiliser des raccords d'eau qui puissent se déconnecter facilement comme des raccords flexibles en acier tressé. S'il faut souder près de l'appareil, tenir la flamme éloignée de l'enveloppe de l'appareil pour éviter toute détérioration.
- ▶ Lorsque tous les travaux de plomberie sont achevés, contrôlez l'absence de fuite et exécutez les mesures correctives avant de poursuivre.

9. Raccordement électrique



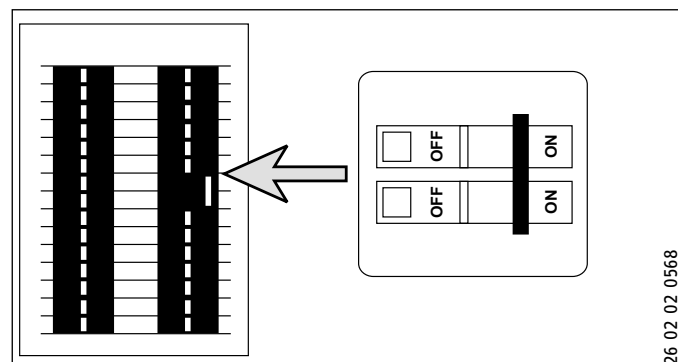
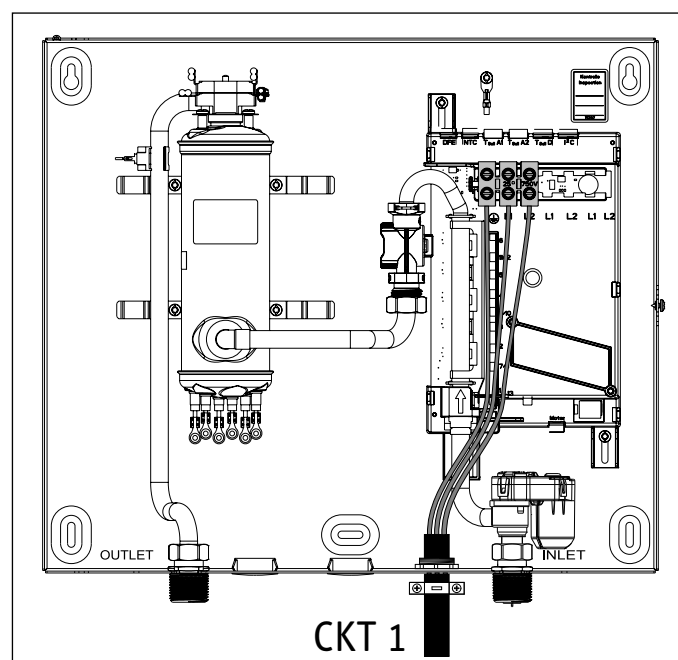
DANGER: Électrocution

Avant toute intervention sur l'installation électrique, vérifiez que les interrupteurs du panneau de disjoncteurs principaux sont sur « arrêt » afin de prévenir tout risque d'électrocution. Tous les travaux de montage et de plomberie doivent être achevés avant de procéder au branchement électrique. Les circuits doivent être équipés d'un interrupteur différentiel si les réglementations nationales, régionales ou locales en matière d'installation électrique l'exigent. Comme avec tout appareil électrique, des défauts de mise à la terre électriques peuvent entraîner des lésions graves ou mortelles.

Tous les travaux électriques doivent être réalisés conformément aux réglementations nationales, régionales et locales applicables. Le Tempra doit être raccordé à un circuit de dérivation relié à la terre et présentant la tension assignée requise. La terre doit être connectée à la borne « Ground » du tableau de disjoncteur.

9.1 Tracé du circuit

9.1.1 Tempra 12 Trend / Plus

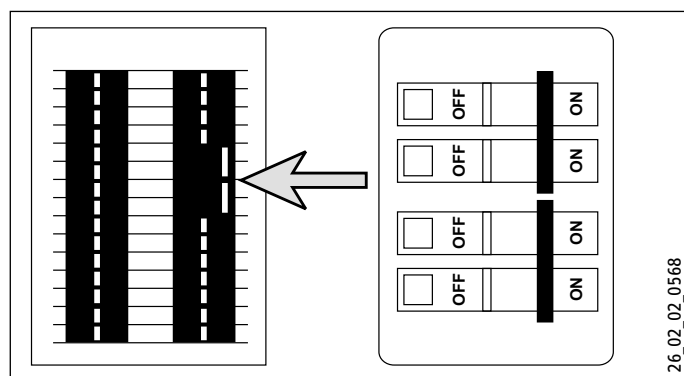
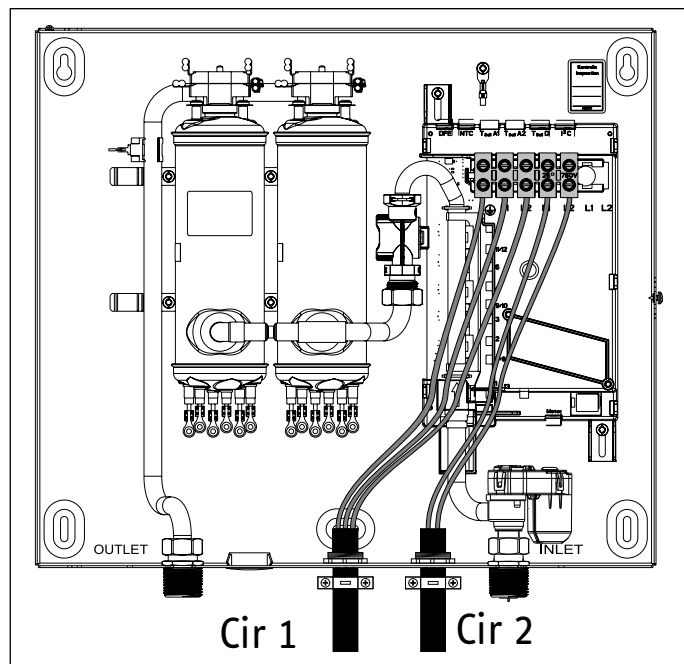


Tempra 12 Trend / Plus: Ces appareils peuvent être connectés à un circuit simple. Utilisez un câble d'alimentation protégé par un disjoncteur bipolaire.

INSTALLATION

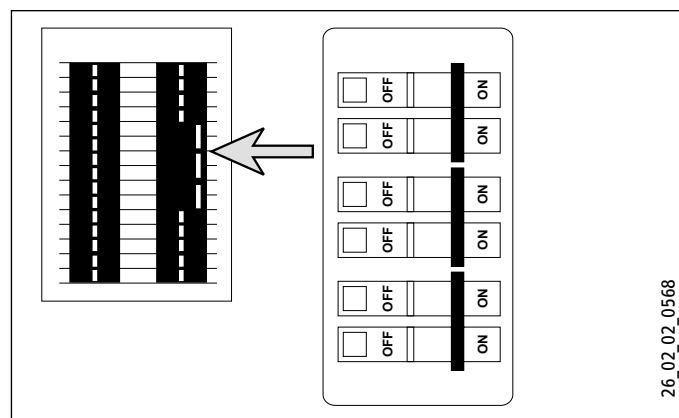
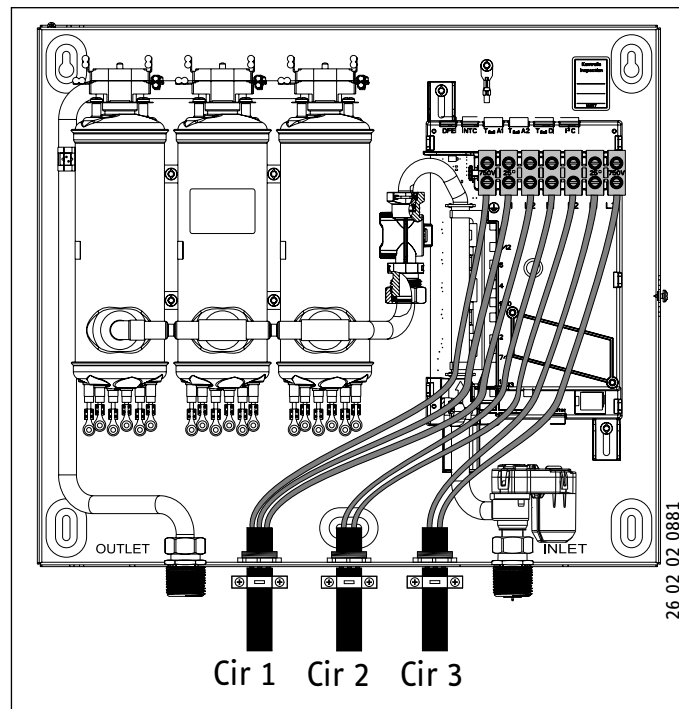
RACCORDEMENT ÉLECTRIQUE

9.1.2 Tempra 15, 20 ou 24 Trend / Plus



Tempra 15, 20 ou 24 Trend / Plus: Ces appareils exigent deux circuits indépendants. Utilisez deux câbles d'alimentation protégés par deux disjoncteurs bipolaires distincts.

9.1.3 Tempra 29 ou 36 Trend / Plus

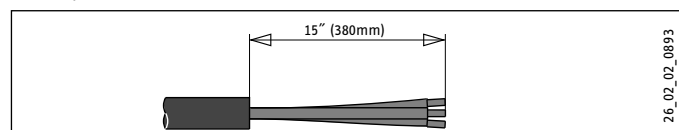


Tempra 29 ou 36 Trend / Plus: Ces appareils exigent trois circuits indépendants. Utilisez trois câbles d'alimentation protégés par trois disjoncteurs bipolaires distincts. Le Tempra 15 à 36 doit posséder plusieurs sources d'alimentation.

9.2 Connexion de circuit

Pour les sections de câbles et la taille de disjoncteur requise, consultez les caractéristiques techniques. Dans tous les cas, assurez-vous de la mise à la terre adéquate de l'appareil.

- Coupez à la longueur désirée le câble de raccordement électrique et dénudez l'extrémité.



Le câble doit être inséré par les passages prévus situés entre les raccords d'eau froide et d'eau chaude (« 9.1 Tracé du circuit » à la page 55). Les fils sous tension doivent être connectés aux bornes L1 et L2 du bloc de jonction. Le conducteur de mise à la terre doit être connecté à la borne pourvue du symbole de terre (« 13.5 Schéma de câblage » à la page 63).

9.3 Bloc de câblage

Consultez le tableau ci-dessous pour connaître la pression de serrage recommandée pour les vis de la plaque à bornes.

Diamètre de vis (mm)	Torque (N•cm)	Torque (lbf•in)
M6	200-250	17.7-22.1

Utiliser la pression de serrage appropriée pour fixer les fils au bloc de câblage contribue à prévenir la perte de biens personnels et les dommages à la propriété.

10. Mise en service du chauffe-eau



AVERTISSEMENT: Ouvrez le robinet d'eau chaude pendant quelques minutes jusqu'à ce que le débit soit constant et que l'air dans les tuyauteries soit purgé. Le capot de l'appareil doit être remonté avant d'enclencher les disjoncteurs.

- ▶ Vérifiez que le câble du transducteur de valeur de consigne est branché dans le connecteur TSoll D de la carte de commande d'alimentation principale. Si le câble a été débranché pour une raison quelconque pendant l'installation, assurez-vous qu'il est reconnecté à l'emplacement TSoll D avant d'alimenter le chauffe-eau.
- ▶ Remplissez l'appareil avec de l'eau.
- ▶ Fermez le capot et fixez-le avec le disque interrupteur avec la vis.
- ▶ Enclenchez les disjoncteurs pour mettre l'appareil sous tension.
- ▶ Tournez le sélecteur de température dans le sens horaire et dans le sens antihoraire pour calibrer le transmetteur de valeur de consigne.
- ▶ Réglez la température de l'eau comme vous le souhaitez à l'aide du bouton placé à l'avant de l'appareil.
- ▶ Ouvrez l'eau chaude et attendez vingt secondes que la température se stabilise.
- ▶ Contrôlez la température de l'eau avec la main pour vous assurer que ce ne soit pas trop chaud. Baissez la température si besoin est.
- ▶ Expliquez le fonctionnement de l'appareil à l'utilisateur et faites en sorte qu'il se familiarise avec son utilisation.
- ▶ Informez l'utilisateur des risques éventuels (température de l'eau chaude jusqu'à 60 °C (140 °F)). Remettez les présentes instructions qui doivent être conservées pour toute référence ultérieure.

11. Entretien de routine



Les Tempra ne comportent pas de pièces nécessitant l'intervention d'une personne non spécialiste. En cas de dysfonctionnement, prenez contact avec un artisan plombier ou électricien agréé.

Les chauffe-eau Stiebel Eltron Tempra sans réservoir sont conçus pour une très longue durée de vie. La durée de vie effective varie en fonction de la qualité de l'eau et de l'utilisation. Pour garantir un débit d'eau régulier, il est suggéré de détartre et de nettoyer

à intervalles réguliers l'aérateur du ou des robinet(s), le filtre crépine de l'appareil et les cartouches chauffantes du chauffe-eau.

Vérifiez également la qualité de l'eau alimentant le chauffe-eau à intervalles réguliers. La qualité de l'eau peut avoir un impact sur la durée de vie de l'appareil et peut ne pas être couverte par la garantie du fabricant.

12. Dépannage

Symptôme	Cause possible	Solution
L'eau n'est pas chaude	les disjoncteurs sont coupés débit insuffisant pour activer l'appareil	enclenchez les disjoncteurs nettoyez le filtre crépine de l'appareil nettoyez le brise-jet du robinet ou la pomme de douche
	capteur de débit bouché/ne tournant pas	retirez le capteur de débit et soufflez dans le capteur pour vous assurer que la roue tourne
	le chauffe-eau n'est pas bien branché	veillez à ce que l'eau froide entre par la droite et que l'eau chaude sorte par la gauche.
Il n'y a pas assez d'eau chaude	le filtre crépine est obstrué éléments chauffants entartrés	nettoyez le filtre crépine de l'appareil. détartrez les éléments chauffants à l'aide d'une solution de détartage
L'eau n'est pas suffisamment chaude	le débit d'eau est trop élevé la tension est trop faible l'interrupteur thermique de sécurité déclenché	réduisez le débit d'eau jusqu'à ce que le témoin arrête de clignoter sur le capot frontal alimentez l'appareil avec la tension adéquate coupez l'électricité et réinitialisez l'interrupteur thermique de sécurité

Si vous êtes incapable de résoudre un problème, contactez-nous au numéro gratuit 800-582-8423 avant de déposer l'appareil du mur. Stiebel Eltron est heureux de vous proposer une assistance technique. Dans la plupart des cas, nous pouvons résoudre le problème par téléphone.

12.1 Signalisation des codes d'erreur du Tempra Plus

Le Tempra Plus peut effectuer un auto diagnostic et signaler les problèmes de fonctionnement qui se présentent. Pour savoir comment l'erreur est signalée sur l'afficheur du Tempra Plus, t.

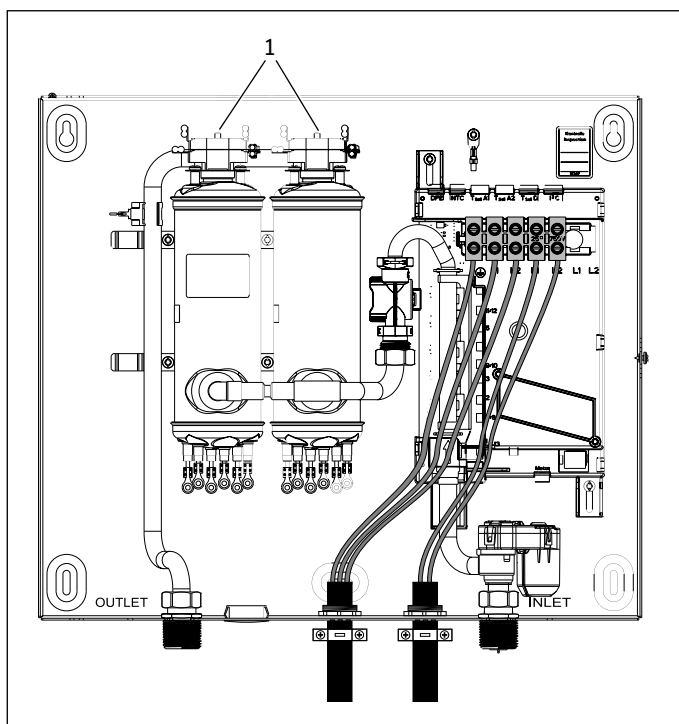
Erreur	Cause possible	Solution
2	défaillance du capteur de température à l'admission	contactez le soutien technique de Stiebel Eltron.
3	défaillance du capteur de température à la sortie	veillez à ce que le câble du capteur de température de sortie soit connecté à la carte de commande principale contactez le soutien technique de Stiebel Eltron.

12.2 Renouveler l'interrupteur thermique de sécurité

**DANGER: Électrocution**

N'essayez pas de réinitialiser l'interrupteur thermique de sécurité de ce chauffe-eau à moins que l'alimentation ait été complètement coupée au disjoncteur.

L'interrupteur thermique de sécurité du Tempra est conçu pour couper l'alimentation des éléments chauffants si la température de l'eau est trop chaude. Lorsque l'un de ces interrupteurs est déclenché, il doit être réinitialisé manuellement.



1 Interrupteur thermique de sécurité

Pour réinitialiser les interrupteurs de sécurité, procédez comme suit:

- ▶ Coupez tous les disjoncteurs reliés au chauffe-eau
- ▶ Ouvrez le couvercle avant du chauffe-eau
- ▶ Identifiez les interrupteurs thermiques sur les cartouches chauffantes en cuivre. Les boutons du dessus sont les boutons de réinitialisation.
- ▶ Enfoncez-les, et remarquez si vous entendez un déclic lorsqu'ils s'enfoncent.

Une cartouche chauffante qui doit être réinitialisée à répétition pourrait avoir des problèmes techniques qui doivent être résolus par le soutien technique de Stiebel Eltron.

INSTALLATION

CARACTÉRISTIQUES TECHNIQUES

13. Caractéristiques techniques

13.1 Tempra Trend

	Tempra 12 Trend		Tempra 15 Trend		Tempra 20 Trend		Tempra 24 Trend ³		Tempra 29 Trend ⁴		Tempra 36 Trend ⁵	
Réf. commande	239213		239214		239215		239216		239217		239218	
Données électriques												
Phase (50/60 Hz)	monophasé		monophasé ⁶		monophasé ⁶		monophasé ⁶		monophasé ⁶		monophasé ⁶	
Tension	240 V	208 V	240 V	208 V	240 V	208 V	240 V	208 V	240 V	208 V	240 V	208 V
Puissance	12 kW	9 kW	14.4 kW	10.8 kW	19.2 kW	14.4 kW	24 kW	18 kW	28.8 kW	21.6 kW	36 kW	27 kW
Charge maximale	1 x 50 A	1 x 44 A	2 x 30 A	2 x 26 A	2 x 40 A	2 x 35 A	2 x 50 A	2 x 44 A	3 x 40 A	3 x 35 A	3 x 50 A	3 x 44 A
Taille requise disjoncteur ¹ (bipolaire)	1 x 50 A		2 x 30 A		2 x 40 A		2 x 50 A		3 x 40 A		3 x 50 A	
Raccord électrique	1/GRD		2/GRD		2/GRD		2/GRD		3/GRD		3/GRD	
Taille de câble requise, cuivre ²	1 x 8/2 AWG		2 x 10/2 AWG		2 x 8/2 AWG		2 x 8/2 AWG		3 x 8/2 AWG		3 x 8/2 AWG	
Raccordements												
Raccord hydraulique	3/4 po. NPT											
Température eau froide max.	42 °C (108 °F)											
Données hydrauliques												
Capacité nominale	0.5 l (0.13 gal)		1.0 l (0.26 gal)		1.0 l (0.26 gal)		1.0 l (0.26 gal)		1.5 l (0.39 gal)		1.5 l (0.39 gal)	
Valeurs												
Débit d'eau min. pour activer l'appareil	1.4 l/min (0.37 gpm)		1.9 l/min (0.5 gpm)		1.9 l/min (0.5 gpm)		1.9 l/min (0.5 gpm)		2.9 l/min (0.77 gpm)		2.9 l/min (0.77 gpm)	
Température d'arrivée max. admissible	55 °C (131 °F)											
Limites d'utilisation												
Pression maxi. admissible	1.0 MPa (150 psi)											
Pression d'essai	2.0 MPa (300 psi)											
Fabrication												
Cache et panneau arrière	tôle d'acier											
Couleur	blanc alpin											
Dimensions												
Hauteur	369 mm (14 1/2 po.)											
Largeur	420 mm (16 5/8 po.)											
Profondeur	117 mm (4 5/8 po.)											
Poids												
Poids	6.1 kg (13.5 lbs)		7.3 kg (16.1 lbs)		7.3 kg (16.1 lbs)		7.3 kg (16.1 lbs)		8.6 kg (19 lbs)		8.6 kg (19 lbs)	

¹ Ceci est notre recommandation pour la protection de surintensité à 100 % de la charge. Vérifiez les codes locaux de la conformité si nécessaire.

Les chauffe-eau sans réservoir sont considérés comme une charge non continue.

² Des conducteurs en cuivre avec une température nominale de 75 °C ou plus doivent être utilisés. Les conducteurs doivent être choisis pour maintenir une baisse de tension inférieur à 3 % sous tension.

³ Exige une alimentation secteur de 150 A.

⁴ Exige une alimentation secteur de 200 A.

⁵ Exige une alimentation secteur de 300 A.

⁶ 29 Trend et 36 Trend peut être câblé pour un système triphasé équilibré de tension 208V. 15 Trend, 20 Trend, 24 Trend peut être câblé pour un système triphasé déséquilibré de tension 208 V.

INSTALLATION

CARACTÉRISTIQUES TECHNIQUES

13.2 Tempra Plus

	Tempra 12 Plus		Tempra 15 Plus		Tempra 20 Plus		Tempra 24 Plus ³		Tempra 29 Plus ⁴		Tempra 36 Plus ⁵	
Réf. commande	239219		239220		239221		239222		239223		239225	
Données électriques												
Phase (50/60 Hz)	monophasé		monophasé ⁶		monophasé ⁶		monophasé ⁶		monophasé ⁶		monophasé ⁶	
Tension	240 V	208 V	240 V	208 V	240 V	208 V	240 V	208 V	240 V	208 V	240 V	208 V
Puissance	12 kW	9 kW	14.4 kW	10.8 kW	19.2 kW	14.4 kW	24 kW	18 kW	28.8 kW	21.6 kW	36 kW	27 kW
Charge maximale	1 x 50 A	1 x 44 A	2 x 30 A	2 x 26 A	2 x 40 A	2 x 35 A	2 x 50 A	2 x 44 A	3 x 40 A	3 x 35 A	3 x 50 A	3 x 44 A
Taille requise disjoncteur ¹ (bipolaire)	1 x 50 A		2 x 30 A		2 x 40 A		2 x 35 A		2 x 50 A		3 x 40 A	
Raccord électrique	1/GRD		2/GRD		2/GRD		2/GRD		3/GRD		3/GRD	
Taille de câble requise, cuivre ²	1 x 8/2 AWG		2 x 10/2 AWG		2 x 8/2 AWG		2 x 8/2 AWG		3 x 8/2 AWG		3 x 8/2 AWG	
Raccordements												
Raccord hydraulique	3/4 po. NPT											
Température eau froide max.	42 °C (108 °F)											
Données hydrauliques												
Capacité nominale	0.5 l (0.13 gal)		1.0 l (0.26 gal)		1.0 l (0.26 gal)		1.0 l (0.26 gal)		1.5 l (0.39 gal)		1.5 l (0.39 gal)	
Valeurs												
Débit d'eau min. pour activer l'appareil	1.4 l/min (0.37 gpm)		1.9 l/min (0.5 gpm)		1.9 l/min (0.5 gpm)		1.9 l/min (0.5 gpm)		2.9 l/min (0.77 gpm)		2.9 l/min (0.77 gpm)	
Température d'arrivée max. admissible	55 °C (131 °F)											
Limites d'utilisation												
Pression maxi. admissible	1.0 MPa (150 psi)											
Pression d'essai	2.0 MPa (300 psi)											
Fabrication												
Cache et panneau arrière	tôle d'acier											
Couleur	blanc alpin											
Dimensions												
Hauteur	369 mm (14 1/2 po.)											
Largeur	420 mm (16 5/8 po.)											
Profondeur	117 mm (4 5/8 po.)											
Poids												
Poids	6.1 kg (13.5 lbs)		7.3 kg (16.1 lbs)		7.3 kg (16.1 lbs)		7.3 kg (16.1 lbs)		8.6 kg (19 lbs)		8.6 kg (19 lbs)	

¹ Ceci est notre recommandation pour la protection de surintensité à 100 % de la charge. Vérifiez les codes locaux de la conformité si nécessaire.

Les chauffe-eau sans réservoir sont considérés comme une charge non continue.

² Des conducteurs en cuivre avec une température nominale de 75 °C ou plus doivent être utilisés. Les conducteurs doivent être choisis pour maintenir une baisse de tension inférieur à 3 % sous tension.

³ Exige une alimentation secteur de 150 A.

⁴ Exige une alimentation secteur de 200 A.

⁵ Exige une alimentation secteur de 300 A.

⁶ 29 Plus et 36 Plus peut être câblé pour un système triphasé équilibré de tension 208 V. 15 Plus, 20 Plus, 24 Plus peut être câblé pour un système triphasé déséquilibré de tension 208 V.

INSTALLATION

CARACTÉRISTIQUES TECHNIQUES

13.3 Montée en température au-dessus de la température d'eau ambiante

Température d'entrée d'eau froide		Débit d'eau chaude [GPM]						Débit d'eau chaude [l/m]					
		Température de sortie d'eau chaude 105 °F						Température de sortie d'eau chaude 40 °C					
		39 °F	59 °F	77 °F	95 °F	113 °F	131 °F	4 °C	15 °C	25 °C	35 °C	45 °C	55 °C
Tempra 12 Trend / 12 Plus	9 kW @ 208 V	0.95	1.36	2.27	6.61	-	-	3.58	5.16	8.59	25.00	-	-
	12 kW @ 220-240 V	1.26	1.82	3.03	6.61	-	-	4.77	6.87	11.46	25.00	-	-
Tempra 15 Trend / 15 Plus	10.8 kW @ 208 V	1.14	1.63	2.72	6.61	-	-	4.30	6.19	10.31	25.00	-	-
	14.4 kW @ 220-240 V	1.51	2.18	3.63	6.61	-	-	5.73	8.25	13.75	25.00	-	-
Tempra 20 Trend / 20 Plus	14.4 kW @ 208 V	1.51	2.18	3.63	6.61	-	-	5.73	8.25	13.75	25.00	-	-
	19.2 kW @ 220-240 V	2.02	2.91	4.84	6.61	-	-	7.64	11.00	18.33	25.00	-	-
Tempra 24 Trend / 24 Plus	18 kW @ 208 V	1.89	2.72	4.54	6.61	-	-	7.16	10.31	17.18	25.00	-	-
	24 kW @ 220-240 V	2.52	3.63	6.05	6.61	-	-	9.55	13.75	22.91	25.00	-	-
Tempra 29 Trend / 29 Plus	21.6 kW @ 208 V	2.27	3.27	5.45	6.61	-	-	8.59	12.37	20.62	25.00	-	-
	28.8 kW @ 220-240 V	3.03	4.36	6.61	6.61	-	-	11.46	16.50	25.00	25.00	-	-
Tempra 36 Trend / 36 Plus	27 kW @ 208 V	2.84	4.09	6.61	6.61	-	-	10.74	15.47	25.00	25.00	-	-
	36 kW @ 220-240 V	3.78	5.45	6.61	6.61	-	-	14.32	20.62	25.00	25.00	-	-

Température d'entrée d'eau froide		Débit d'eau chaude [GPM]						Débit d'eau chaude [l/m]					
		Température de sortie d'eau chaude 113 °F						Température de sortie d'eau chaude 45 °C					
		39 °F	59 °F	77 °F	95 °F	113 °F	131 °F	4 °C	15 °C	25 °C	35 °C	45 °C	55 °C
Tempra 12 Trend / 12 Plus	9 kW @ 208 V	0.83	1.14	1.70	3.41	6.61	-	3.14	4.30	6.44	12.89	25.00	-
	12 kW @ 220-240 V	1.11	1.51	2.27	4.54	6.61	-	4.19	5.73	8.59	17.18	25.00	-
Tempra 15 Trend / 15 Plus	10.8 kW @ 208 V	1.00	1.36	2.04	4.09	6.61	-	3.77	5.16	7.73	15.47	25.00	-
	14.4 kW @ 220-240 V	1.33	1.82	2.72	5.45	6.61	-	5.03	6.87	10.31	20.62	25.00	-
Tempra 20 Trend / 20 Plus	14.4 kW @ 208 V	1.33	1.82	2.72	5.45	6.61	-	5.03	6.87	10.31	20.62	25.00	-
	19.2 kW @ 220-240 V	1.77	2.45	3.63	6.61	6.61	-	6.71	9.16	13.75	25.00	25.00	-
Tempra 24 Trend / 24 Plus	18 kW @ 208 V	1.66	2.27	3.41	6.61	6.61	-	6.29	8.59	12.89	25.00	25.00	-
	24 kW @ 220-240 V	2.21	3.03	4.54	6.61	6.61	-	8.38	11.46	17.18	25.00	25.00	-
Tempra 29 Trend / 29 Plus	21.6 kW @ 208 V	1.99	2.72	4.09	6.61	6.61	-	7.54	10.31	15.47	25.00	25.00	-
	28.8 kW @ 220-240 V	2.66	3.63	5.45	6.61	6.61	-	10.06	13.75	20.62	25.00	25.00	-
Tempra 36 Trend / 36 Plus	27 kW @ 208 V	2.49	3.41	5.11	6.61	6.61	-	9.43	12.89	19.33	25.00	25.00	-
	36 kW @ 220-240 V	3.32	4.54	6.61	6.61	6.61	-	12.57	17.18	25.00	25.00	25.00	-

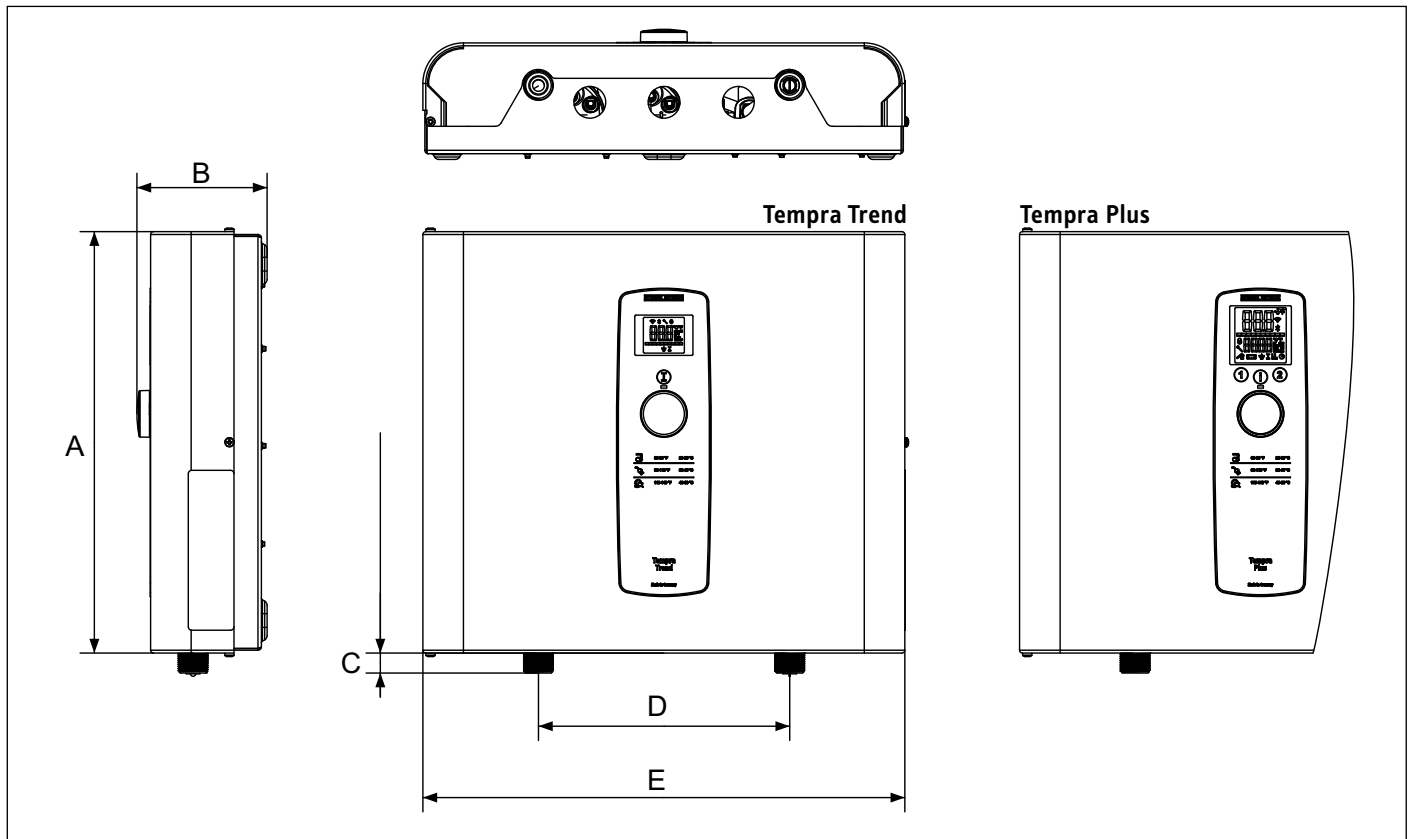
Température d'entrée d'eau froide		Débit d'eau chaude [GPM]						Débit d'eau chaude [l/m]					
		Température de sortie d'eau chaude 140 °F						Température de sortie d'eau chaude 60 °C					
		39 °F	59 °F	77 °F	95 °F	113 °F	131 °F	4 °C	15 °C	25 °C	35 °C	45 °C	55 °C
Tempra 12 Trend / 12 Plus	9 kW @ 208 V	0.61	0.76	0.97	1.36	2.27	6.61	2.30	2.86	3.68	5.16	8.59	25.00
	12 kW @ 220-240 V	0.81	1.01	1.30	1.82	3.03	6.61	3.07	3.82	4.91	6.87	11.46	25.00
Tempra 15 Trend / 15 Plus	10.8 kW @ 208 V	0.73	0.91	1.17	1.63	2.72	6.61	2.76	3.44	4.42	6.19	10.31	25.00
	14.4 kW @ 220-240 V	0.97	1.21	1.56	2.18	3.63	6.61	3.68	4.58	5.89	8.25	13.75	25.00
Tempra 20 Trend / 20 Plus	14.4 kW @ 208 V	0.97	1.21	1.56	2.18	3.63	6.61	3.68	4.58	5.89	8.25	13.75	25.00
	19.2 kW @ 220-240 V	1.30	1.61	2.08	2.91	4.84	6.61	4.91	6.11	7.86	11.00	18.33	25.00
Tempra 24 Trend / 24 Plus	18 kW @ 208 V	1.22	1.51	1.95	2.72	4.54	6.61	4.60	5.73	7.36	10.31	17.18	25.00
	24 kW @ 220-240 V	1.62	2.02	2.59	3.63	6.05	6.61	6.14	7.64	9.82	13.75	22.91	25.00
Tempra 29 Trend / 29 Plus	21.6 kW @ 208 V	1.46	1.82	2.33	3.27	5.45	6.61	5.52	6.87	8.84	12.37	20.62	25.00
	28.8 kW @ 220-240 V	1.95	2.42	3.11	4.36	6.61	6.61	7.36	9.16	11.78	16.50	25.00	25.00
Tempra 36 Trend / 36 Plus	27 kW @ 208 V	1.82	2.27	2.92	4.09	6.61	6.61	6.90	8.59	11.05	15.47	25.00	25.00
	36 kW @ 220-240 V	2.43	3.03	3.89	5.45	6.61	6.61	9.21	11.46	14.73	20.62	25.00	25.00

INSTALLATION

CARACTÉRISTIQUES TECHNIQUES

13.4 Dimensions

Tempra Trend / Tempra Plus



Dimensions

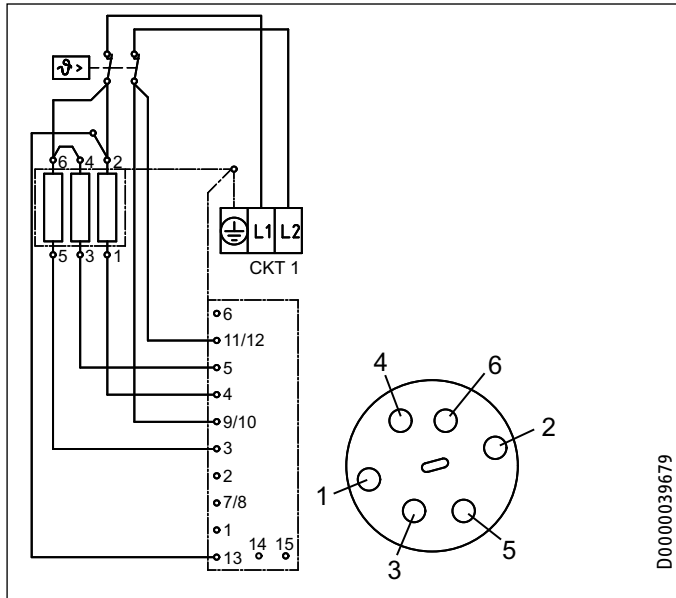
- A 369 mm (14¹/₂ po.)
- B 114 mm (4¹/₂ po.)
- C 18 mm (3/₄ po.)
- D 220 mm (8¹¹/₁₆ po.)
- E 422 mm (16¹/₂ po.)

INSTALLATION

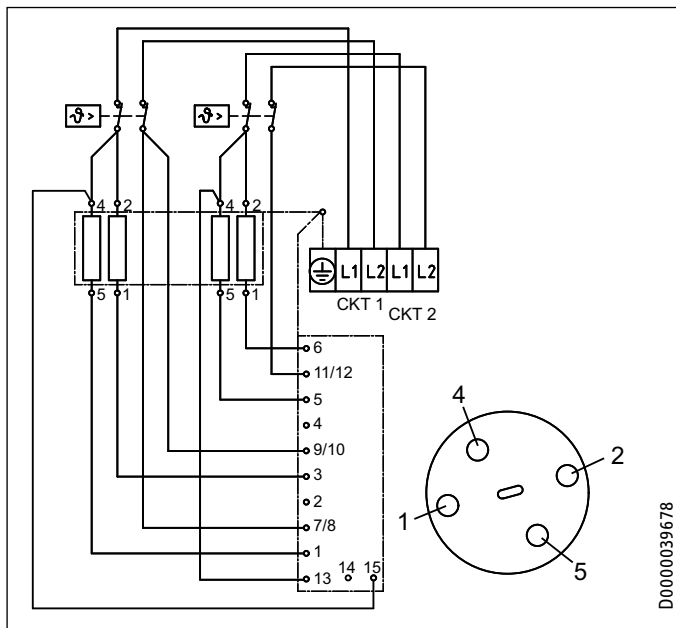
CARACTÉRISTIQUES TECHNIQUES

13.5 Schéma de câblage

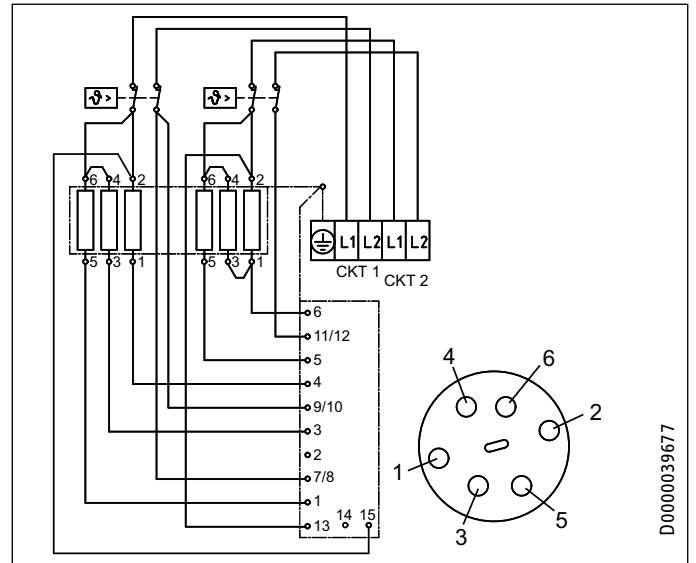
13.5.1 Tempra 12 Trend / Plus



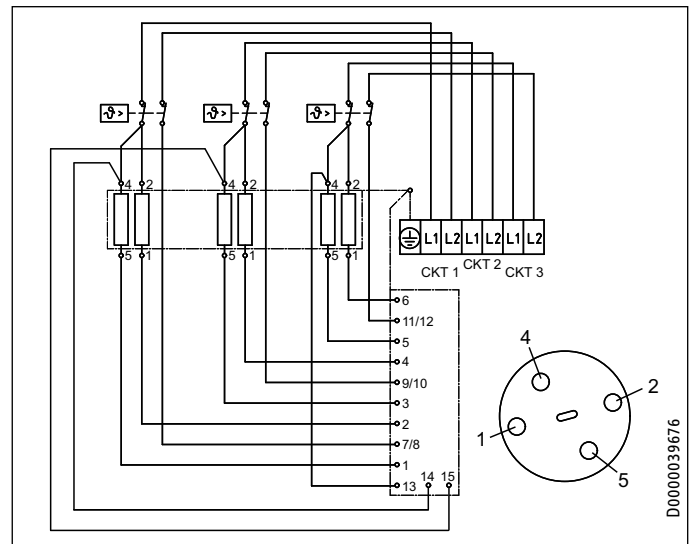
13.5.2 Tempra 15, 20 Trend / Plus



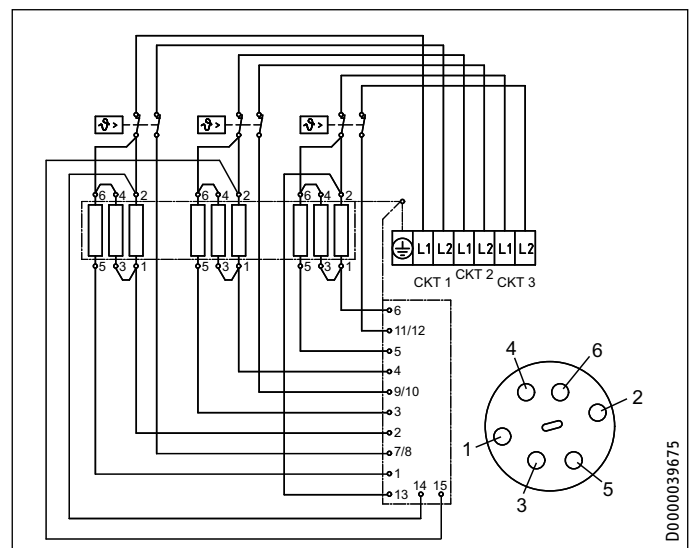
13.5.3 Tempra 24 Trend / Plus



13.5.4 Tempra 29 Trend / Plus



13.5.5 Tempra 36 Trend / Plus



INSTALLATION

PIÈCES DE RECHANGE

14. Pièces de rechange

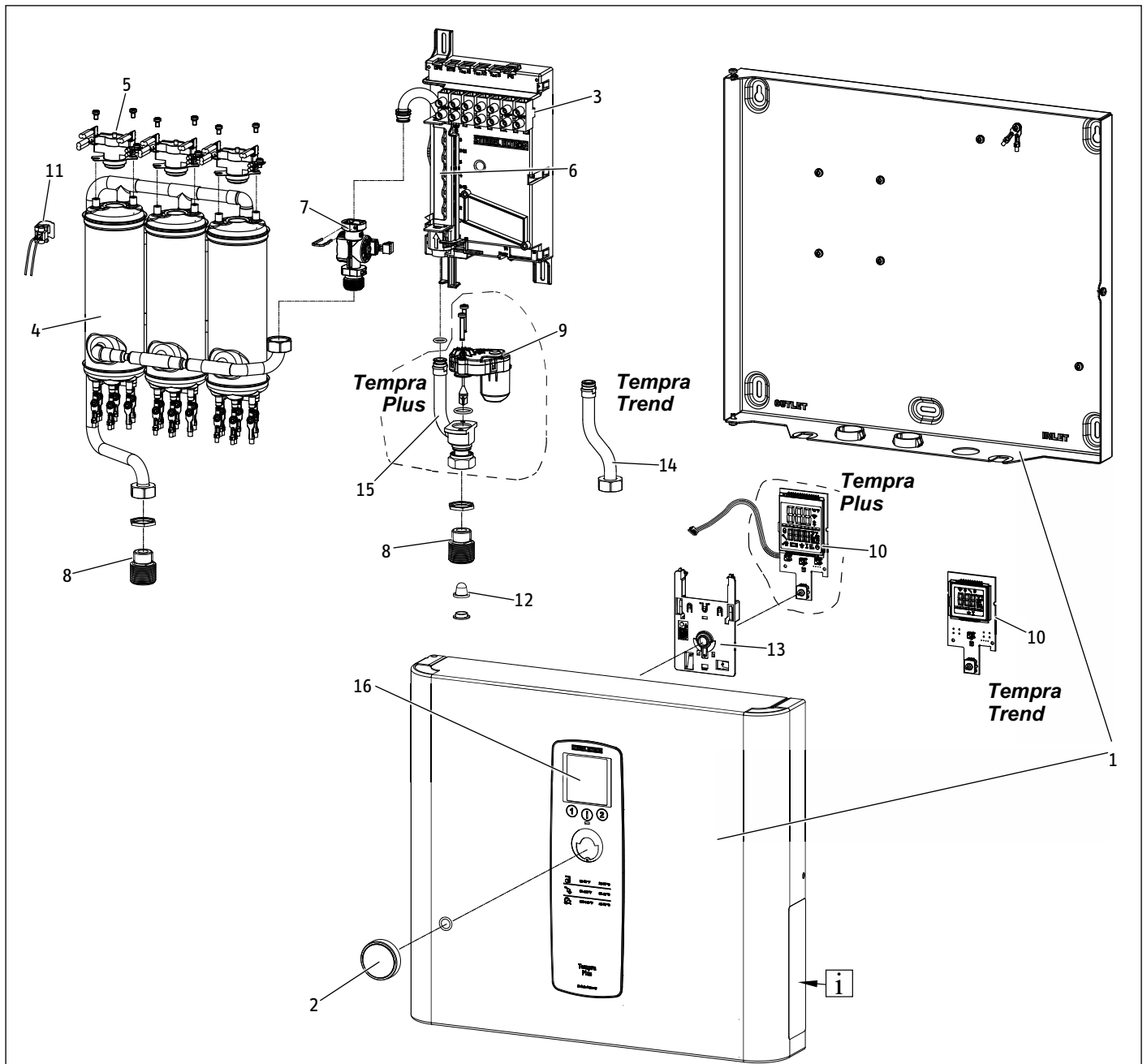
	N° Pièces de rechange						
	1	2	3	4	5	6	7
	Boîtier	Bouton de contrôle de la température	Bloc de câblage	Système de chauffage	Interrupteur thermique de sécurité	Unité de commande électronique	Capteur de débit
Tempra 12 Trend	331894	323686	279998	286360	286369	286375	286461
Tempra 15 Trend	331894	323686	279997	286361	286369	286845	286461
Tempra 20 Trend	331894	323686	279997	286362	286369	286845	286461
Tempra 24 Trend	331894	323686	279997	286364	286369	286376	286461
Tempra 29 Trend	331894	323686	279996	286373	286369	286378	286461
Tempra 36 Trend	331894	323686	279996	286374	286369	286379	286461
Tempra 12 Plus	331926	323686	279998	286360	286369	286375	286461
Tempra 15 Plus	331926	323686	279997	286361	286369	286845	286461
Tempra 20 Plus	331926	323686	279997	286362	286369	286845	286461
Tempra 24 Plus	331926	323686	279997	286364	286369	286376	286461
Tempra 29 Plus	331926	323686	279996	286373	286369	286378	286461
Tempra 36 Plus	331926	323686	279996	286374	286369	286379	286461

	N° Pièces de rechange						
	8	9	10	11	12	13	14
	Connexion de plomberie 3/4 po.	Advanced Flow Control (vanne motorisée)	Contrôle électronique de la température	Capteur de température	Filtre crépine	Support d'affichage	Coude de tuyau d'entrée
Tempra 12 Trend	278698	---	331933	280677	056755	326141	278695
Tempra 15 Trend	278698	---	331933	280677	056755	326141	278695
Tempra 20 Trend	278698	---	331933	280677	056755	326141	278695
Tempra 24 Trend	278698	---	331933	280677	056755	326141	278695
Tempra 29 Trend	278698	---	331933	280677	056755	326141	278695
Tempra 36 Trend	278698	---	331933	280677	056755	326141	278695
Tempra 12 Plus	278698	220502	331934	280677	056755	326141	---
Tempra 15 Plus	278698	220502	331934	280677	056755	326141	---
Tempra 20 Plus	278698	220502	331934	280677	056755	326141	---
Tempra 24 Plus	278698	220502	331934	280677	056755	326141	---
Tempra 29 Plus	278698	220502	331934	280677	056755	326141	---
Tempra 36 Plus	278698	220502	331934	280677	056755	326141	---

	N° Pièces de rechange	
	15	16
	Ensemble de soupape	Affichage LCD
Tempra 12 Trend	---	331933
Tempra 15 Trend	---	331933
Tempra 20 Trend	---	331933
Tempra 24 Trend	---	331933
Tempra 29 Trend	---	331933
Tempra 36 Trend	---	331933
Tempra 12 Plus	280622	331934
Tempra 15 Plus	280622	331934
Tempra 20 Plus	280622	331934
Tempra 24 Plus	280622	331934
Tempra 29 Plus	280622	331934
Tempra 36 Plus	280622	331934

INSTALLATION

PIÈCES DE RECHANGE



15. Garantie

Sous réserve du respect des termes et conditions définis dans la présente garantie à vie limitée, Stiebel Eltron, Inc. (ci-après, le « Fabricant ») garantit à l'acheteur d'origine (ci-après le « Propriétaire ») que tous les chauffe-eau électrique sans réservoir (ci-après, le « Chauffe-eau ») ne doit pas (i) des fuites dues à des défauts de matériaux ou de fabricant de fabrication pendant une période de sept (7) ans à compter de la date d'achat ou (ii) l'échec en raison de défauts dans les matériaux ou de fabrication du fabricant pour une période de trois (3) ans à compter de la date d'achat. Le seul et unique recours du propriétaire dans le cadre de la garantie susmentionnée sera pour le Propriétaire de soit réparer en usine, soit remplacer le Chauffe-eau défectueux (à la discrétion du fabricant) avec soit un appareil de rechange, soit une ou des pièces ayant les mêmes caractéristiques d'exploitation. La responsabilité financière maximale du Fabricant ne pourra en aucun cas aller au-delà du prix d'achat du le Chauffe-eau.

Cette garantie limitée représente la seule garantie accordée par le fabricant et annule toute les autres garanties, orales ou écrites, expresses ou implicites, y compris, mais sans y être limitées les garanties de qualité marchande ou d'aptitude à un usage particulier. Le fabricant rejette toute responsabilité pour les dommages ou frais indirects, consécutifs ou autres résultant directement ou indirectement de tout vice présent dans le chauffe-eau ou survenu lors de l'usage du Chauffe-eau. Le fabricant rejette toute responsabilité pour tout dégât des eaux ou tout autre dégât matériel encouru par le propriétaire, résultant directement ou indirectement de tout vice présent dans le Chauffe-eau ou survenu lors de l'usage du Chauffe-eau. Seul le Fabricant est autorisé à énoncer les garanties au nom du Fabricant et aucune déclaration, garantie ou autre document énoncé par une tierce partie ne saurait engager la responsabilité du Fabricant.

Le Fabricant rejette toute responsabilité pour tout dommage causé par ou en relation avec :

1. toute mauvaise utilisation ou négligence du chauffe-eau, tout accident subi par le chauffe-eau, toute modification du chauffe-eau ou tout autre usage non prévu,
2. les calamités naturelles ou toute autre circonstance sur laquelle le fabricant n'a aucun contrôle,
3. l'installation du chauffe-eau autre que conformément aux directives du fabricant et autre que conformément

aux codes de la construction en vigueur,

4. le non-respect des procédures d'entretien du chauffe-eau ou l'utilisation du chauffe-eau non conformes aux directives du fabricant,
5. l'utilisation du chauffe-eau avec une pression d'eau irrégulière ou dans le cas où le chauffe-eau serait alimenté en eau non potable pour toute durée que ce soit,
6. une installation incorrecte ou l'utilisation de matériaux incorrects par un installateur et sans relation avec les vices de fabrication ou de matériel du fabricant,
7. déplacer le Chauffe-eau de son lieu d'installation d'origine;
8. l'exposition au gel,
9. problèmes de qualité de l'eau comme l'eau corrosive, l'eau dure et de l'eau contaminée par des polluants ou des additifs,

Si le Propriétaire désire renvoyer le Chauffe-eau au Fabricant pour qu'il soit réparé ou remplacé dans le cadre de cette Garantie, le Propriétaire doit d'abord obtenir l'autorisation écrite du Fabricant. Le Propriétaire doit apporter la preuve d'achat, y compris la date d'achat, et sera responsable de tous les frais de transport et de dépose. Si le Propriétaire ne peut pas apporter la preuve de la date d'achat, cette Garantie sera limitée à la période commençant à la date de fabrication estampée sur le Chauffe-eau. Le Fabricant se réserve le droit de rejeter toute couverture de la Garantie à la suite d'une inspection du Chauffe-eau par le Fabricant. Cette Garantie ne s'applique qu'au propriétaire et ne peut pas être transférée.

Certains États et Provinces n'autorisent pas l'exclusion ou la limitation de certaines garanties. Dans ce cas, les limites ci-mentionnées peuvent ne pas s'appliquer au propriétaire. Dans ce cas, la Garantie sera limitée à la période la plus courte et aux dommages et intérêts les plus faibles autorisés par la loi. Cette garantie vous octroie des droits légaux spécifiques. Il est toutefois possible que vous ayez d'autres droits en fonction de votre juridiction.

Le Propriétaire sera responsable de tous les frais de main-d'œuvre et autres encourus lors de la dépose ou de la réparation du Chauffe-eau sur le chantier. Veuillez également noter que le Chauffe-eau doit être installé de sorte qu'en cas de fuite, l'eau qui s'écoule doit couler de façon à ne pas endommager l'endroit où il est installé.

Environnement et recyclage

Veuillez nous aider à protéger l'environnement en mettant les matériaux d'emballage au rebut conformément aux règlements nationaux relatifs au traitement des déchets.

Cette garantie n'est valide que pour le Canada et les États-Unis. Les garanties varient en fonction du pays. Veuillez vous adresser à votre représentant local Stiebel Eltron pour plus de détails sur la garantie s'appliquant à votre pays.



L'installation, le branchement électrique et la première mise en route de cet appareil doivent être exécutés par un prestataire qualifié.



La société rejette toute responsabilité pour toute défaillance du produit livré qui n'aurait pas été installé et mis en route conformément aux directives du fabricant.

NOTES

STIEBEL ELTRON, Inc.
17 West Street | West Hatfield MA 01088
Tel. 413-247-3380 | Fax 413-247-3369
info@stiebel-eltron-usa.com
www.stiebel-eltron-usa.com



Subject to errors and technical changes! | ¡Sujeto a errores y cambios técnicos! |
Sous réserve d'erreurs et de modifications techniques!

STIEBEL ELTRON

A 326134-41376-9461