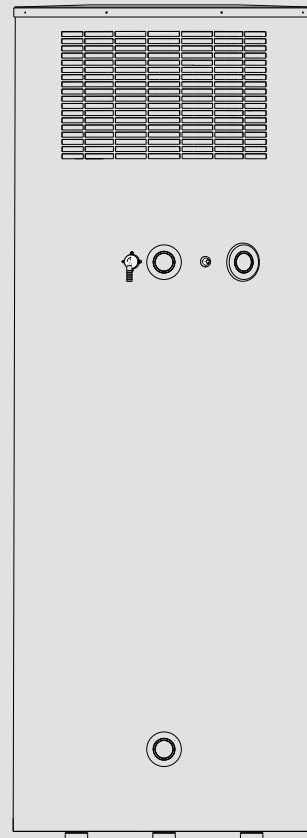


OPERATING AND INSTALLATION OPERACIÓN E INSTALACIÓN UTILISATION ET INSTALLATION

DHW HEAT PUMP WATER HEATER
CALENTADOR DE AGUA CON BOMBA ELÉCTRICA DE CALOR
CHAUFFE-EAU THERMODYNAMIQUE

» ACCELERA® 300



The Accelera® 300 Heat Pump Water Heater is tested and certified by WQA against NSF/ANSI 372 for lead free compliance.

STIEBEL ELTRON Inc.
17 West Street | West Hatfield MA 01088
Tel. 413-247-3380 | Fax 413-247-3369
Email info@stiebel-eltron-usa.com
www.stiebel-eltron-usa.com

STIEBEL ELTRON

GENERAL INFORMATION

QUICK START-UP GUIDE



Please read
Read these instructions carefully and retain them for future reference. If the water heater is passed on to a third party please hand these instructions to the new user.

This manual includes important information regarding the safe and efficient handling of the water heater. Keep this manual with the water heater at all times.

Work must only be carried out by a licensed installer who has read and understands these instructions. All federal, state, and local codes must be followed. Failure to do so may result in equipment failure, serious injury, or death.

While working on the water heater, disconnect the power supply.

Illustrations in these instructions are designed to aid a general understanding and may deviate from the actual water heater version. No claims can be derived from such illustrations.

Limited liability:

We have collated all details and information in this manual in due consideration of applicable standards and regulations, the state of the art and our long-term know-how and experience.

Losses due to the following are excluded from our liability:

- Non-observance of these instructions
- Incorrect use
- Installation of the water heater by unqualified personnel
- Unauthorized modifications
- Technical modifications
- Use of unauthorized spare parts

Accelera® 300 Quick Start-up Guide

- A. **OVERVIEW:** This water heater hooks up like any other electric water heater, with a few minor exceptions. Be sure to follow all state and local codes during installation. This page is not intended to be a substitute for the installation manual. Be sure to follow all safety precautions.
- B. **UNPACKING:** DO NOT unpack water heater unit until it is located at the point of installation. Follow all instructions in the manual and be sure to use caution, as this unit is top heavy. DO NOT lay the unit down and DO NOT jar or tip the unit past 45 degrees on the hand truck. **See: 10.6**
- C. **INSTALLATION / WATER:**
- a. Location: Find a suitable location according to the manual. Minimum area is 10' x 10' x 8'. Be sure vents are parallel to the wall with the fan facing the most open area along that wall. Please note: a drain pan is recommended. **See: 10.6**
- b. 3/4" Inlet from union provided. For hook-up, follow all state and local codes for check valves, expansion tanks, shut off valves, gauges, etc. Install a 70 psi pressure reduction valve. Please note: water pressure should not exceed 0.48 MPa (70 psi). **See: 10.7**
- c. 3/4" Outlet from union to hot water line.
- d. Install T&P Relief valve (supplied). Please note: 0.69 MPa / 99 °C (100 psi / 210 °F).
- D. **CONDENSATE DRAIN:** Goes directly into a drain or use a condensate pump to drain into a suitable location. **See: 10.6.1**
- E. **FILL & FLUSH TANK:** Run water and be sure tank is full prior to turning on the electricity.
- F. **INSTALLATION / ELECTRICAL:** Use a 240 Volt / 15 Amp double pole breaker and connect to water heater L1, L2, and Ground. **See: 16.2**



WITHIN ABOUT 5 HOURS OF START-UP TIME, EXHAUST AIR FLOW SHOULD BE APPROXIMATELY -14,4 °C (6 °F) LESS THAN THE INLET SIDE.



CAUTION: RISK OF SCALDING. THERE IS A RISK OF SCALDING AT OUTLET TEMPERATURES EXCEEDING 43 °C (110 °F) RISK OF SCALDING

Copyright:

These operating and installation instructions are subject to copyright.

Transferring these instructions to third parties, copying of any kind, either in total or extracts therefrom, as well as their use and/or conveying its contents are prohibited without our written consent.

Contraventions are liable to claims for compensation. Further claims are reserved.

We hold the copyright:

STIEBEL ELTRON Inc.
17 West Street | West Hatfield MA 01088
Tel. 413-247-3380 | Fax 413-247-3369
Email info@stiebel-eltron-usa.com
www.stiebel-eltron-usa.com

Should you have any question regarding the installation or operation of the water heater, please contact our customer service. Tel. (USA) 800-582-8423 or 413-247-3380

Please record your serial number and information

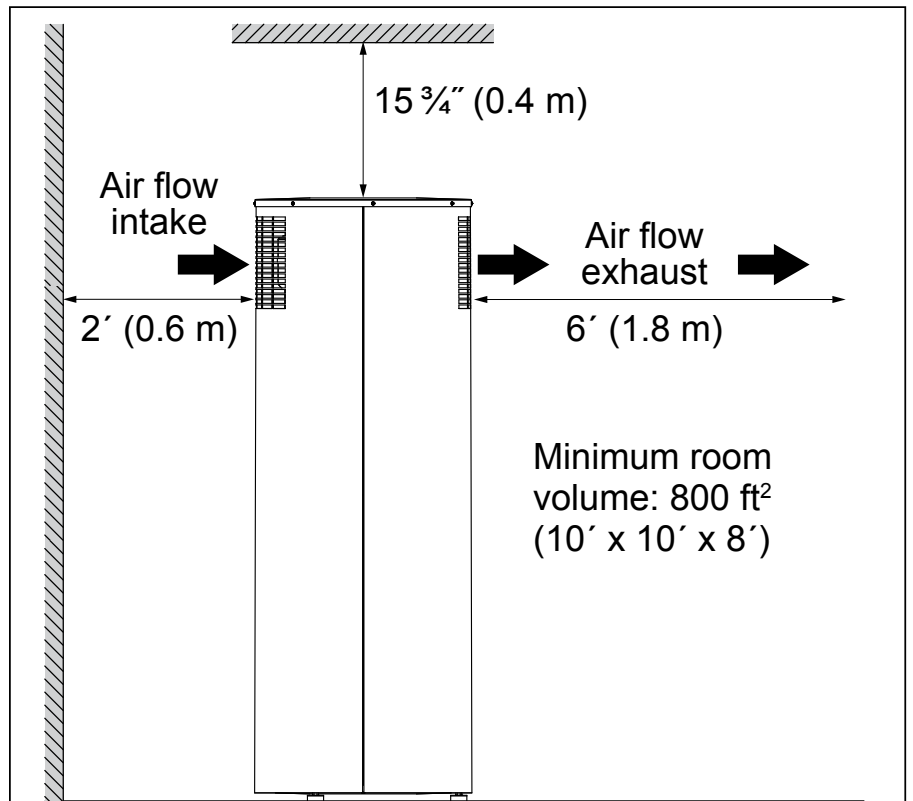
Serial No.: _____

Date of Purchase: _____

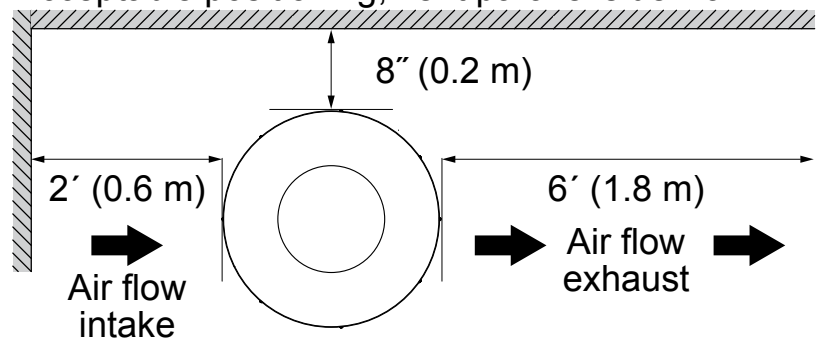
QUICK START-UP GUIDE | OPERATION
 REQUIRED ROOM DIMENSIONS AND CLEARANCES

- Do not install in a room with less than 800 cubic feet of total volume (for example: 10 ft. x 10 ft. x 8 ft.).
- Do not install with the air exhaust pointing at a wall or any surface closer than 6 feet away.
- Do not install with the air intake pointing to a wall or any surface closer than 2 feet away.

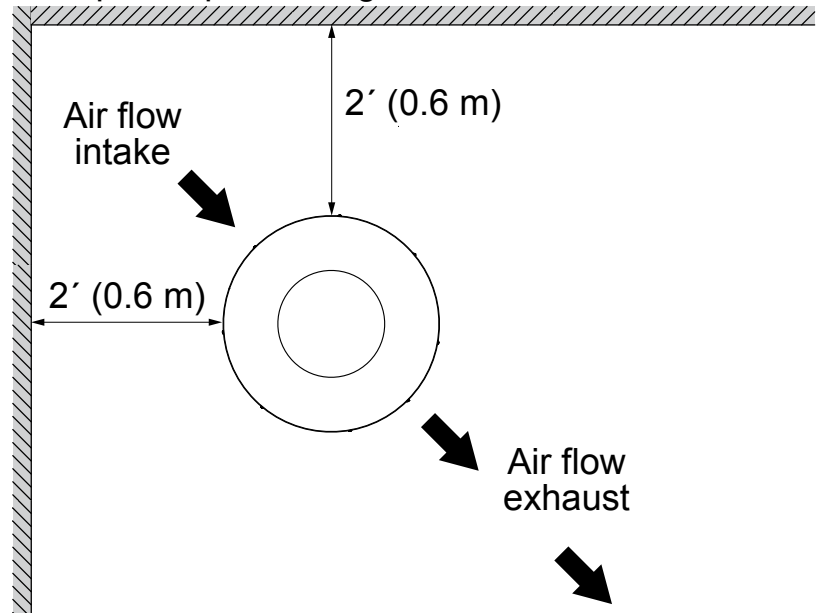
Failure to follow installation instructions will void the factory warranty.



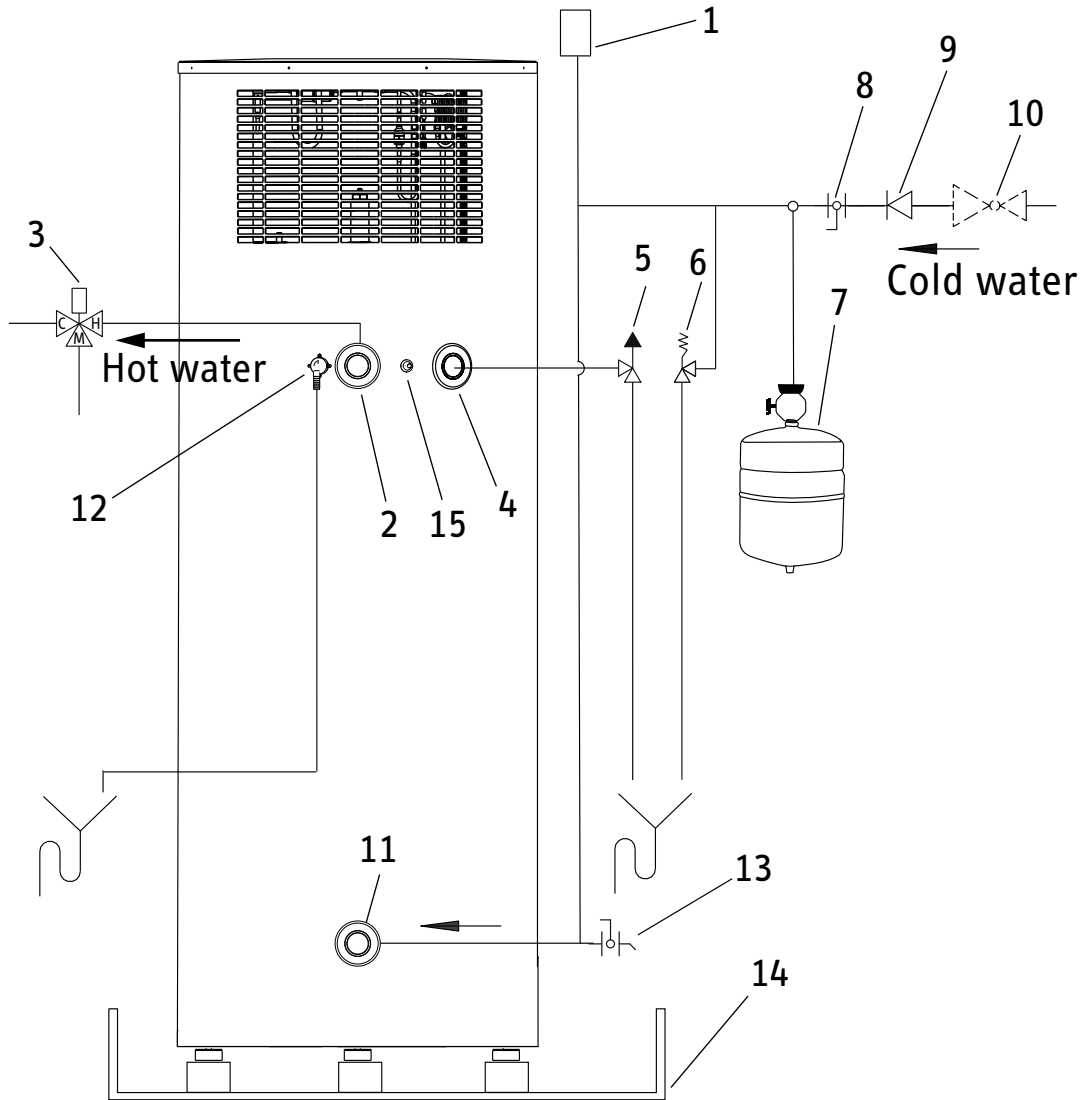
Acceptable positioning, vent parallel side wall:



Acceptable positioning, vent towards room center:



D0000018502



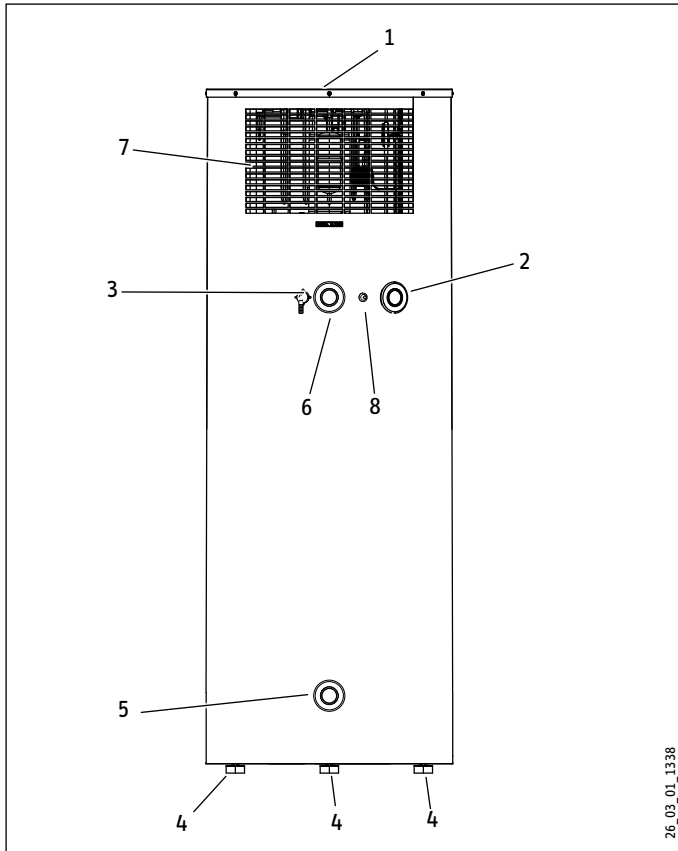
- 1 Vacuum breaker
- 2 Hot water connection (Union adaptor to 3/4")
- 3 Mixing valve (optional, supplied by installer)
- 4 Connection for T&P valve 3/4"
- 5 T&P valve 3/4", 0.69 MPa @99 °C (100 psi @210 °F) (supplied with unit)
- 6 0.551 MPa (80 psi) relief valve (optional, supplied by installer)
- 7 Expansion tank (optional, supplied by installer)
- 8 Straight-through shut-off valve (supplied by installer)
- 9 Check valve (optional, supplied by installer)
- 10 0.48 MPa (70 psi) pressure reduction valve (optional, supplied by installer)
- 11 Cold water connection (with Union adaptor to 3/4")
- 12 Condensate drain (elbow supplied with unit)
- 13 Drain valve (supplied by installer)
- 14 Drain pan (supplied by installer)
- 15 Condensate spillover

GENERAL INFORMATION	2	14. Water heater hand over	22
QUICK START-UP GUIDE	3	15. Troubleshooting	22
OPERATION	6	15.1. Safety equipment of the water heater	22
1. Overview	6	15.2. Troubleshooting	23
2. General information	7	16. Maintenance and cleaning	23
2.1. Key to symbols	7	16.1. Cleaning the evaporator	21
3. Safety	10	16.2. Draining the tank	21
3.1. General safety instructions	10	16.3. Sacrificial anode rod	21
3.2. Intended use	10	16.4. Descaling	24
3.3. Incorrect use	10	16.5. Checking valves	25
3.4. Personnel qualification	10	17. Specification	26
3.5. Safety equipment	10	17.1. Connection and dimensions	26
3.6. Particular risks	10	17.2. Wiring diagram	27
4. Water heater description	11	17.3. Refrigerant diagram	28
4.1. Function description	11	17.4. Technical Data	29
5. Operation	11	ENVIRONMENT AND RECYCLING	30
5.1. Initial start-up by a licensed installer	11	WARRANTY	31
5.2. Starting and stopping	11		
5.3. Emergency stop	11		
6. Maintenance and care	11		
6.1. Descaling	12		
7. What to do if ...	12		
7.1. ... the water heater does not deliver hot water	12		
7.2. ... the safety valve of the cold water supply line is dripping	12		
7.3. ... the condensate drain drips	12		
7.4. ... the power consumption is too high	12		
7.5. ... the room temperature drops excessively	12		
7.6. ... other faults occur	12		
8. Safety	13		
8.1. General safety instructions	13		
8.2. Incorrect use	13		
8.3. Qualification	13		
8.4. Instructions, standards and regulations	13		
8.5. Water installation	13		
8.6. Electrical installation	13		
9. Water heater description	14		
9.1. Standard delivery	14		
9.2. Special accessories	14		
10. Transport	15		
10.1. Transport in a horizontal position	15		
11. Installation	15		
11.1. Installation location	15		
11.2. Shipping inspection	15		
11.3. Handling	15		
11.4. Storage	16		
11.5. Positioning the water heater	16		
11.6. Unpacking the water heater	16		
11.7. Removing the transport lock	18		
11.8. Condensate drain	19		
11.9. Water connection	19		
11.10. Power supply: 240V / 15A double pole circuit breaker	20		
12. Initial start-up	22		
12.1. Initial start-up	22		
12.2. Shutting down	22		
12.3. Restarting	22		
13. Settings	22		
13.1. Adjusting the water temperature	22		

OPERATION OVERVIEW

1. Overview

Front of the water heater

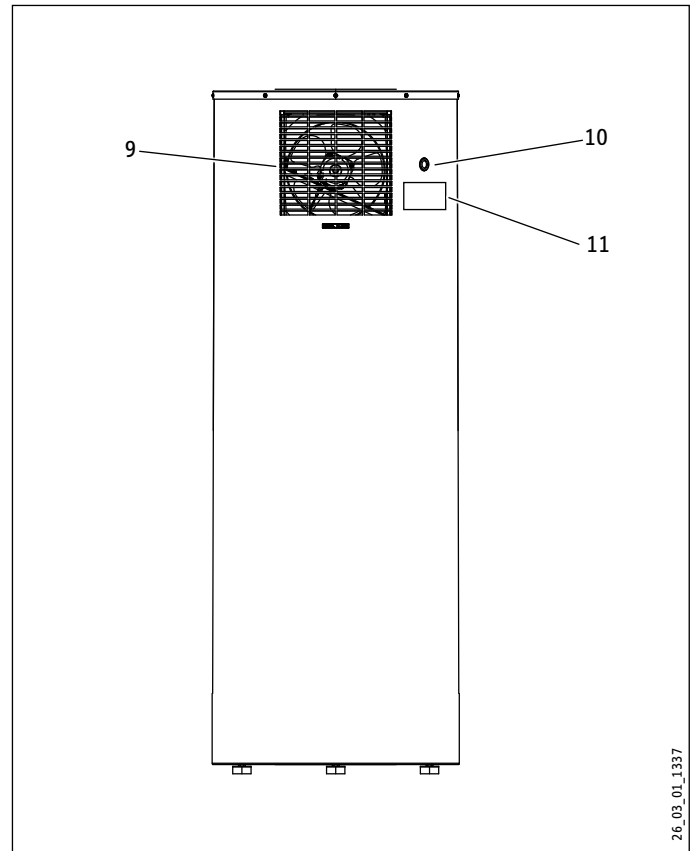


- 1 Water heater cover
- 2 Opening for PT valve
- 3 Condensate drain
- 4 Leveling feet
- 5 Cold water inlet
- 6 Hot water outlet
- 7 Air entry
- 8 Condensate spillover

An 80 gallon water tank is part of the water heater. Foam insulation is applied to the outside of the water tank to prevent heat losses. The water heater casing is made from powder-coated sheet steel.

The internally enameled water tank is supported by three height-adjustable anti-vibration leveling feet.

Back of the water heater



- 9 Air discharge
- 10 Entry for the power cable
- 11 Information labels, serial no.:

OPERATION

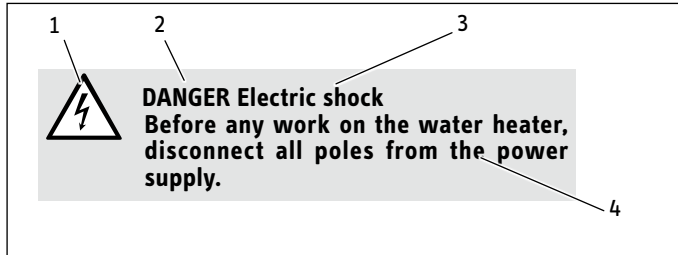
GENERAL INFORMATION

2. General information

The chapter **Operation** is intended for users and licensed installers.
The chapter **Installation** is intended for licensed installers only.

2.1 Key to symbols

2.1.1 Layout of safety information



- 1 Symbol (see chapter "Symbols")
- 2 Keyword (see chapter "Keywords")
- 3 Designations (see chapter "Symbols")
- 4 Information text

2.1.2 Symbols

Symbol	Description
	Injury
	Electrocution
	Burns or scalding
	Other situations
	Fire
	Explosion
	Water heater disposal

2.1.3 Keywords

KEYWORD	
DANGER	The keyword DANGER indicates information that must be observed, otherwise serious injury or death will result.
WARNING	The keyword WARNING indicates information that must be observed, otherwise serious injury or death may result.
CAUTION	The keyword CAUTION indicates information that must be observed, otherwise relatively serious or light injuries may result.

2.1.4 Symbols in this documentation



Read the text next to this symbol carefully.

- » Passages with the symbol "»" indicate that you have to do something. The action you need to take is described step by step.
- Passages with this symbol "-" indicate lists.

2.1.5 Units of measure in this documentation



The dimensions in this document are given in millimeters (inches).

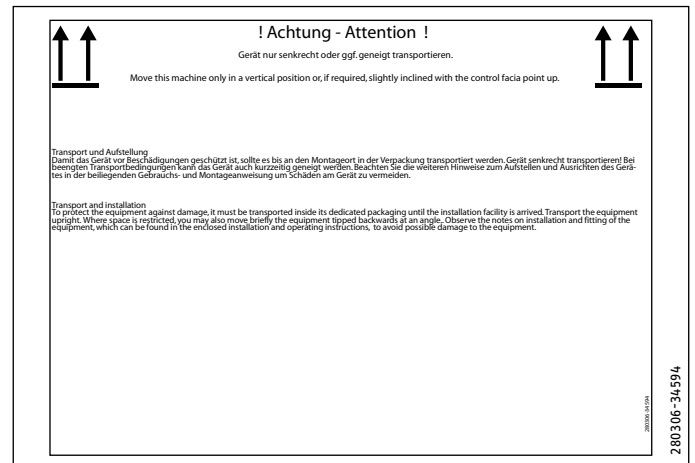
2.1.6 Information on the packaging

Information label "Top heavy"



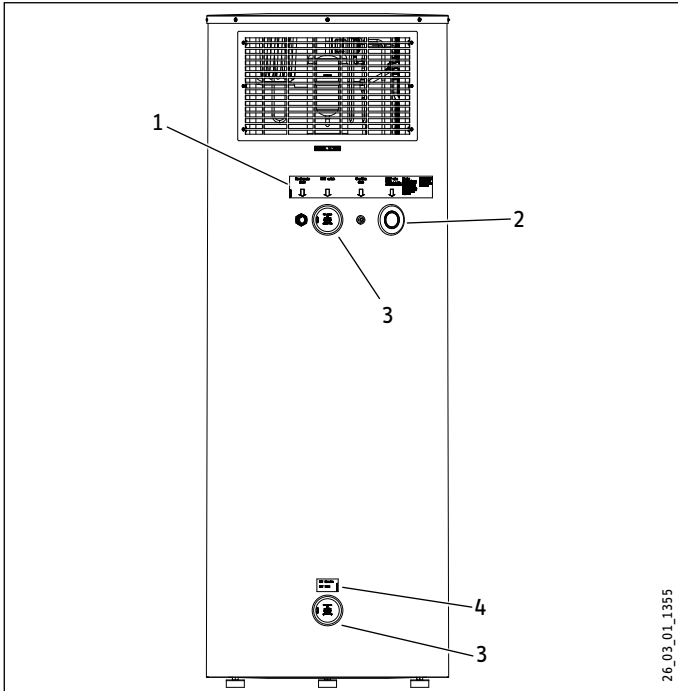
264623-33631

Information label "Vertical transport"

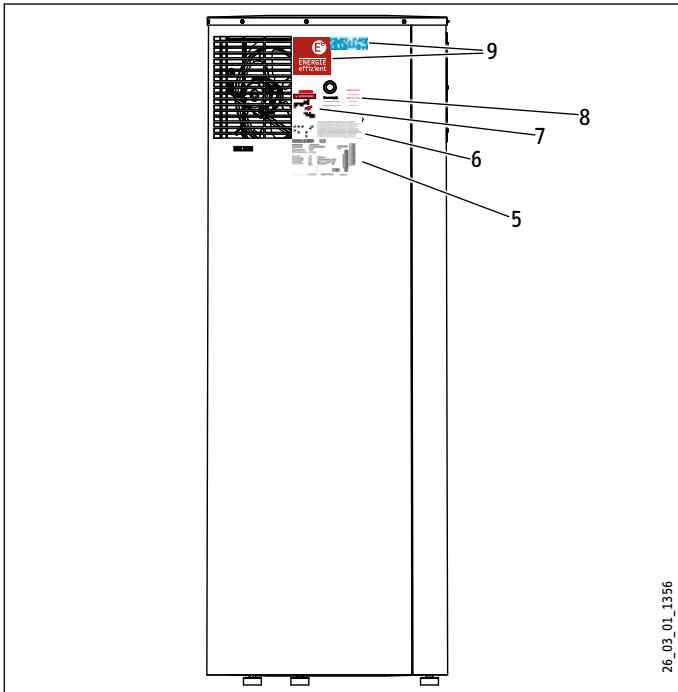


280306-34594

2.1.7 Information on the water heater



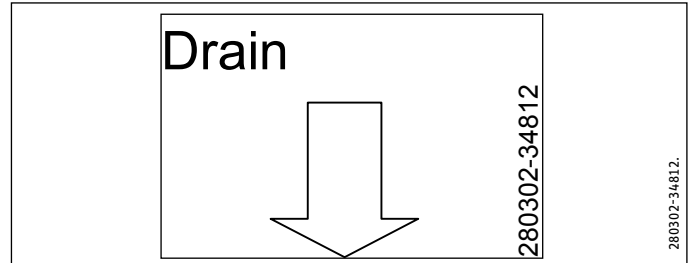
- 1 General information label
- 2 Information label "Relief valve"
- 3 Information label "Connection"
- 4 Information label "Cold water inlet"



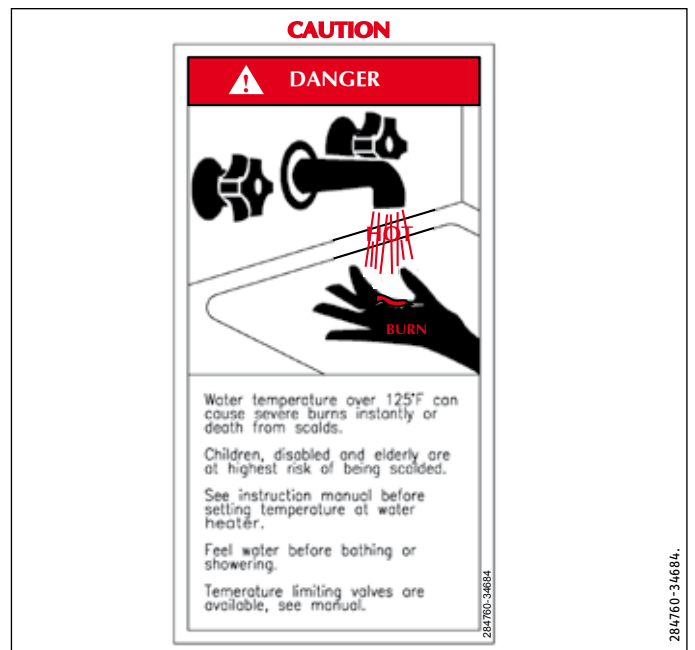
- 5 Type plate
- 6 Information label "Power connection"
- 7 Information label "Fluorated gases"
- 8 Information label "Risk of scalding"
- 9 Information label "Energy efficiency"

1 Information label "Condensate drain"

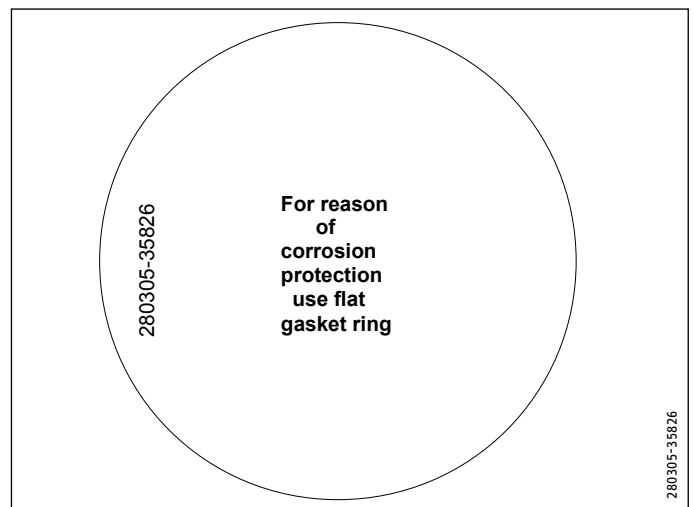
This label shows you the position where the water heater drain is located.



2 Information label "Risk of scalding"



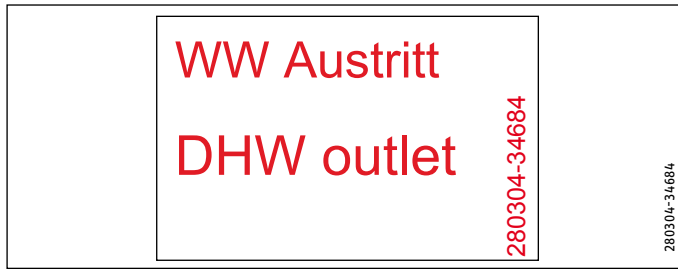
3 Information label "Connection"



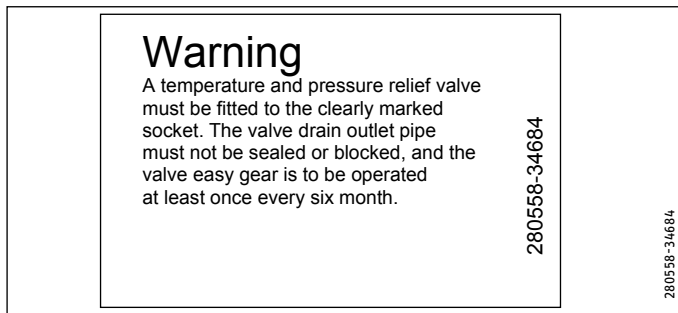
OPERATION

GENERAL INFORMATION

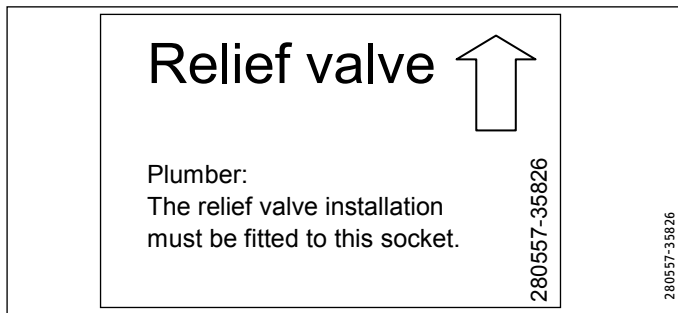
4 Information label "Hot water outlet"



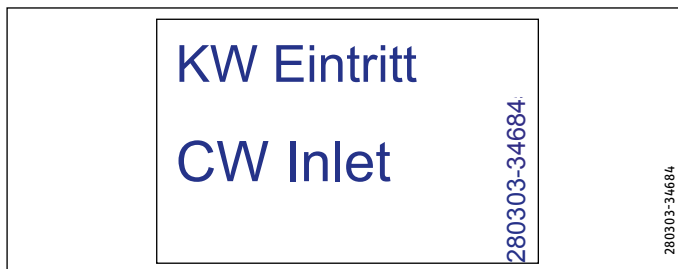
5 Information label "Relief valve"



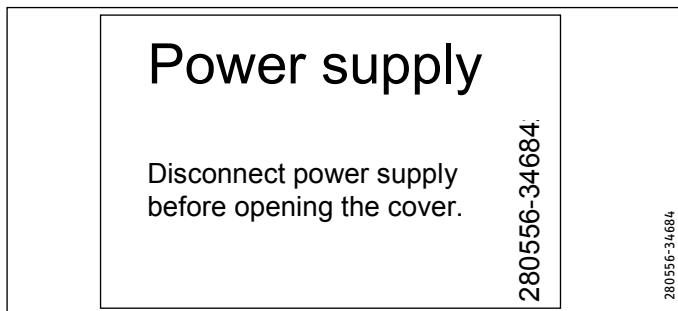
6 Information label "Relief valve installation location"



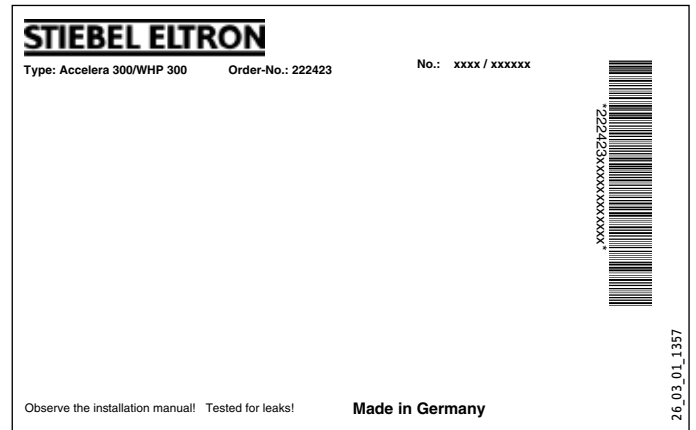
7 Information label "Cold water inlet"



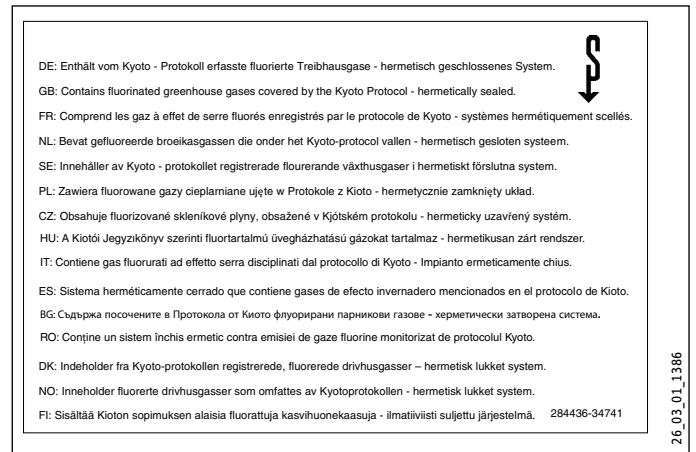
8 Information label "Power connection"



9 Type plate




10 Information label "Fluorated gases"



11 Information label "Energy efficiency"



 **Maintain the legibility of all information labels. Illegible safety information and symbols can result in dangerous situations.**

3. Safety

This chapter provides an overview of all important actions required for a safe and trouble-free operation.

3.1 General safety instructions

Operate the water heater only when fully installed and with all safety equipment in place.

Unsuitable tools or incorrect handling can result in damage to the water heater.



DANGER Scalding

The water is heated inside the water tank to 60 °C (140 °F). There is a risk of scalding at outlet temperatures above 43 °C (109 °F).

- » Ensure that outflowing water does not directly contact your body.



CAUTION Injury

Where children or persons with limited physical, sensory or mental capabilities are allowed to control this water heater, ensure that this will only happen under supervision or after appropriate instruction by a person responsible for their safety.

- » Children should be supervised to ensure that they never play with the water heater.



Never place any objects on top of the water heater.

Objects placed on top of the water heater can increase the noise level developed by the water heater through vibrations.



Never cover the water heater.

The water heater draws in air. Covering the inlet slots reduces the air intake. This reduces the efficiency of the water heater and can even lead to one of the safety devices interrupting the water heater operation.

3.2 Intended use

This water heater produces hot water automatically.

The water heater can be installed and operated in the open as well as in enclosed spaces. The temperature of the air that is drawn in during operation must not fall below 6 °C (43 °F).

Any other use beyond that described shall be deemed inappropriate. Observation of these instructions is also part of the correct use of this water heater.

Any changes or modifications to this water heater void all warranty rights.

3.3 Incorrect use

The following are not permitted:

- Do not heat anything other than potable water
- Do not use unqualified (unlicensed) personnel for installation
- Do not use in an environment with greasy extract air



This water heater must not be operated at ambient temperatures in excess of 42 °C (107 °F) or below 6 °C (43 °F).

If outside air is directly drawn in ensure, that the water heater is isolated from its power supply when the air temperature falls below 6 °C (43 °F).

3.4 Personnel qualification



DANGER Injury

Incorrect handling can result in severe injuries and material losses. Inadequately qualified personnel cannot assess the potential risks.

Have the installation, initial start-up, maintenance and repair steps carried out only by the qualified individuals specified in the respective chapters.

In the remainder of this manual, such qualified individuals will be described as the "licensed installer."

3.5 Safety equipment

Wear safety shoes/boots during the transportation and positioning of the water heater. Dry, this water heater weighs 130 kg (290 lb). Safety shoes/boots reduce the risk of injury.

3.6 Particular risks

3.6.1 Electric current



WARNING Electric shock

Contacting parts that carry live power is associated with a direct risk to life. Damaging the insulation or individual components can result in a risk to life.

- » If you detect damaged insulation, immediately switch off the power supply and arrange for the necessary repair.
- » Have all electrical work carried out by a qualified electrician.

3.6.2 Hot surfaces



CAUTION Burning

Contact with hot components can result in burning.

- » When working near hot components, wear protective clothing and gloves.
- » The pipework connected to the hot water outlet of the water heater can reach temperatures in excess of 60 °C (140 °F).

3.6.3 Refrigerant

The water heater is filled with R134A refrigerant at the factory.



WARNING Freezer burn

Should the water heater leak refrigerant, avoid contact with the refrigerant or breathing in any released vapors. Immediately vent the room.

In normal water heater operation, the refrigerant is contained in a sealed circuit.

4. Water heater description

This water heater is an automatic hot water generator with approx. 303 l (80 gallon) capacity. The hot water temperature is factory set to 60 °C (140 °F).

After opening a hot water faucet, the hot water is pushed out of the water heater by the incoming cold water.

This water heater works like an air conditioner but does not need to be vented. The water heater extracts heat from the ambient air to heat the water. The demand for electrical energy and the heat-up time depend on the ambient air temperature and humidity.

When installing the water heater inside, the space where it is installed will be cooled down during the operation by 1 to 3 °C (2 to 6 °F).

The water heater also extracts moisture from the air that creates condensate, which must be drained off. For this purpose, a condensate drain is integrated in the water heater. This is where you can connect a hose to a drain.

To protect the steel tank against corrosion, the interior is coated with a special enamel and is equipped with a replaceable sacrificial anode.

Heat pump function:

A sealed circuit inside the water heater contains R134A refrigerant (see "Specification/data table"); this does not deplete ozone, is non-flammable, and evaporates at low temperatures.

In the evaporator, where heat is extracted from the outside air, the refrigerant changes from its liquid into its gaseous state. A compressor draws in the gas in and compresses it. The increase in pressure raises the refrigerant temperature and heats the water tank.

This process requires electrical energy. The energy (motor heat) is not lost, but reaches the condenser downstream together with the compressed refrigerant. Here, the gas transfers heat to the water tank. An expansion valve then reduces the pressure and the process starts again.

4.1 Function description

4.1.1 Heat pump operation

The heat pump unit located on top of the water heater extracts heating energy from the ambient air.



If the water heater was separated from the power supply during operation, the compressor will only restart if the pressure inside the refrigerant circuit has been balanced. Pressure balance can only be created after waiting 15 minutes.

Minimum runtime and minimum OFF time



The appliance is supplied with pipe connectors with union nut fittings and flat gaskets for making the connections to the cold water and DHW lines:

- The minimum runtime is 60 minutes.
- The minimum OFF time following a shutdown is 20 minutes.
- The appliance should not be switched ON/OFF more than 10 time per day.
- The external switching device must have a minimum breaking capacity of 240 V~ / 16 A.

4.1.2 Booster heater

Primarily, the water inside the tank is heated by the heat pump.

When there is a higher hot water demand or when the water heater was switched OFF and you require hot water quickly, the integral booster heater will turn on. To save energy, the booster heater only heats the top third of the tank (approx. 102 l (27 gallons)).

A thermostat switches the booster heater on if the water temperature inside the tank falls below 45 °C (112 °F). A thermostat switches the booster heater off if the water temperature inside the tank exceeds 60 °C (140 °F).

4.1.3 Defrosting

The lower limit of use of the water heater is permanently set to 6 °C (42 °F). It is possible that at this limit, the evaporator will be coated in frost. This is subject to the air temperature and humidity level, particularly at low hot water temperatures.

The compressor will be switched off as soon as the evaporation temperature falls below -7 °C (20 °F) for any length of time. When the temperature at the evaporator fins rises above 3 °C (38 °F), the compressor starts again, and the hot water heating continues. The fan continues to run during defrosting.

5. Operation

You do not have to make any adjustments. The water heater is therefore not equipped with any controls. The hot water temperature is factory set to 60 °C (140 °F).

Should you wish to operate with different settings, contact your local licensed installer.



WARNING Scalding

The water is heated inside the water tank to 60 °C (140 °F). There is a risk of scalding at outlet temperatures in excess of 42 °C (108 °F). Ensure that outflowing water does not directly contact your body.

5.1 Initial start-up by a licensed installer

Initial start-up should be done by a licensed installer.

5.2 Starting and stopping

The water heater is not equipped with an ON/OFF switch. If a power plug was fitted during installation, you can disconnect the water heater from the power supply by pulling that plug. Alternatively, you can terminate the water heater operation by tripping the circuit breaker.

5.3 Emergency stop

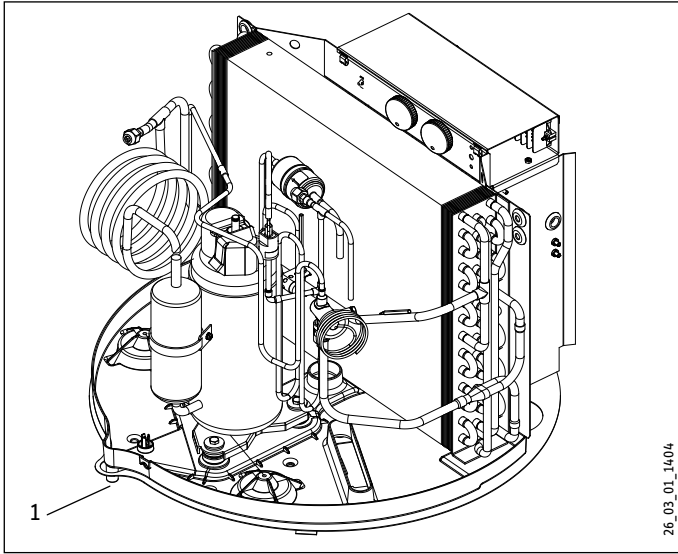
In case of emergency, carry out the following steps:

- » Isolate the power supply by tripping the circuit breaker or by pulling the power plug.
- » Shut off the cold water inlet.

6. Maintenance and care

A damp cloth is sufficient for cleaning the exterior of the water heater. Never use abrasive or corrosive cleaning agents. Do not hose down the water heater.

- » Monthly, check that the condensate drain is clear.
- » Monthly, carry out a visual inspection of the condensate pan drain (in the top of the water heater; see the following diagram). Look through the air intake grille at the front of the water heater. If required, notify your local licensed installer who will remove any contamination.



1 Condensate pan drain

6.1 Descaling

At high temperatures water separates out lime. This is deposited on the inside of the tank. With increasing limescale build-up, the amount of hot water inside the tank is reduced.

- » Have a licensed installer descale the booster heater from time to time. This extends the service life of the booster heater.
- » Scale cannot build up on the heat pump element.

A licensed installer who knows the local water quality will tell you when the next maintenance appointment is due.

- » Have your licensed installer check the sacrificial anode regularly.

7. What to do if ...

7.1 ... the water heater does not deliver hot water

- » Check the water heater power supply.
- » Check your fuse box for a tripped circuit breaker.
- » Make sure there is a 15 A double pole circuit breaker

If the circuit breaker has tripped, reset it or replace it. Notify your local licensed installer if the circuit breaker trips again.

- » Ensure that the air intake and air discharge are unobstructed.

Excessively high ambient temperature, excessively high temperature of the air drawn in (> 42 °C (108 °F)) or a fault in the refrigerant circuit can result in the compressor being overloaded. The thermal protective 'auto reset' motor switch or the high limit 'manual reset' cut-out can both shut off the compressor off.



The high limit pressure limiter must only be reset by your licensed installer after they have removed the cause of the relevant fault.

After a short cooling down period, the thermal protective motor auto reset switch will restart the compressor automatically.

Notify your local licensed installer if the water heater does not restart automatically.

7.2 ... the safety valve of the cold water supply line is dripping

This unit can operate up to 0.48 MPa (70 psi) of inlet pressure. Expansion water drips from the safety valve during heat-up. This is completely normal. Notify your local licensed installer if water still drips after heat-up has been completed.

7.3 ... the condensate drain drips

This is quite normal and always happens when the surface temperature of the evaporator is lower than the dew point temperature of the ambient air.

7.4 ... the power consumption is too high

Please consult a qualified licensed installer.

7.5 ... the room temperature drops excessively

The water heater operation reduces the ambient air by 1 to 3 °C (2 to 6 °F). Notify your local licensed installer if the ambient temperature drops abnormally.

7.6 ... other faults occur

Notify your local licensed installer. Refer to the water heater number on the type plate next to the barcode.



1 Water heater number

8. Safety

Only qualified licensed installers should carry out installation, initial start-up, maintenance and repair of the water heater.

8.1 General safety instructions

Use only original accessories and spare parts intended for this water heater.



DANGER Electric shock

Disconnect the water heater from the power supply prior to its installation.



WARNING Injury

If the pipes inside the water heater are damaged, leaking refrigerant gas can result in severe physical freezer burns. Do not inhale refrigerant. Immediately vent the room thoroughly.

- » **Wear safety goggles and gloves during water heater installation.**



WARNING Injury

Moving parts represent a risk of injury.

- » **Before opening the water heater, ensure that the fan has come to a complete standstill.**

8.2 Incorrect use

The following are not permitted:

- Do not install the water heater on non-load bearing floors
- Do not install the water heater where it is at risk from frost
- Do not install in rooms where the water heater is at risk from explosions as a result of dust, gases or vapors
- Do not ignore safety clearances and safety zones
- Do not incorrectly install the power connection
- Do not operate the water heater with the tank empty
- Do not operate the water heater with an open casing
- Do not heat anything other than potable water
- Do not fill with any other Freon, use only R134A

8.3 Qualification



WARNING Injury

Incorrect handling can result in severe injuries and material losses. Inadequately qualified personnel cannot assess the impending danger.

Have only personnel mentioned in the appropriate sections of this manual carry out specific measures.

In this manual, such qualified individuals will be described as the "licensed installer".

Licensed installers are responsible for adherence to all currently applicable regulations during installation and initial start-up.

8.3.1 Licensed installer

Licensed installers are specially trained in their field. Licensed installers work on systems on the basis of their training, knowledge and experience, as well as their knowledge of applicable standards and regulations. They are able on their own to recognize and prevent possible problems.

8.3.2 Electrician (licensed)

An electrician is a licensed installer who meets the above requirements with regard to electrical installations.

8.3.3 Plumber (licensed)

A plumber is a licensed installer who meets the above requirements with regard to water-related installations.

8.3.4 Customer service

For customer service inquiries, please contact Stiebel Eltron directly at 1-800-582-8423, ext. 25 or ext. 33.

8.4 Instructions, standards and regulations



Follow all national, state, and local codes.

Observe the regulations of your local energy and water supply utilities.

The following standards were taken into account:

UL 499, UL 1995, UL 94-5 VA, UL 174

IEC 60335-1-2-40, IEC 61000-3-2; 1995

IEC 61000-3-3, IEC 55014-1 IEC 55014-2

EMC Directive 89/336/EEC

EN 255 T3

Read the water heater type plate and the chapter "Specification".

8.5 Water installation

The following materials may be used:

- Cold water line: steel, copper or plastic pipework.
- Hot water line: copper or plastic pipework.
- » Ensure that no contamination reaches the water heater through the pipework.

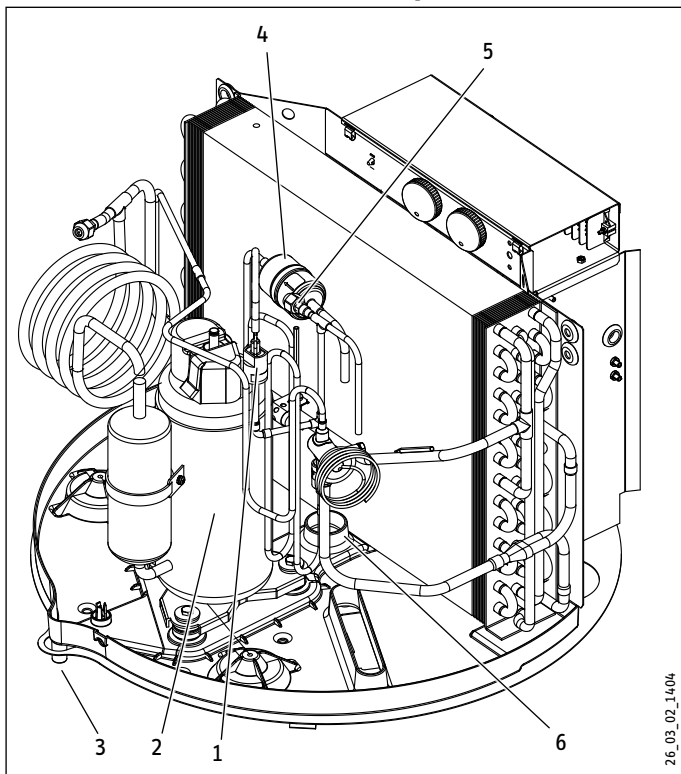
8.6 Electrical installation

Protect the water heater electrically with a 15 A double pole circuit breaker.

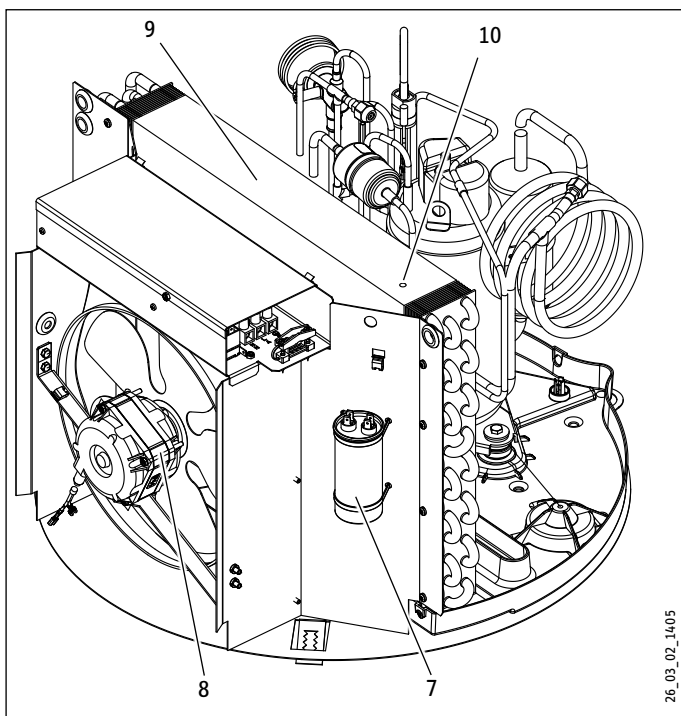
Where the water heater is permanently connected to the power supply, it must be able to be separated from the mains power supply by an additional isolator that disconnects all poles with at least 3 mm (0.12 ") contact separation. For this purpose, use contractors, circuit breakers, fuses, etc. on site.

In case of a fault, the safety equipment interrupts the relevant power circuit.

9. Water heater description



- 1 High limit safety cut-out - manual reset
- 2 Compressor
- 3 Condensate drain
- 4 Filter dryer
- 5 Service valve, high pressure
- 6 Sacrificial anode



- 7 Capacitor
- 8 Fan
- 9 Evaporator
- 10 Defrost sensor



The hot water thermostat temperature is preset at the factory. Where customers require a lower hot water temperature, the thermostat settings of the heat pump and the booster heater can be reduced.

A sacrificial anode rod is installed in the top of the water heater. (6)

9.1 Standard delivery

- Accelera 300 heat pump water heater
- Two adaptors, Union to 3/4"
- Two union gaskets
- Condensate drain elbow
- Two copper crush caps
- 100 psi T&P valve

9.2 Special accessories

Description	Part number
Anode rod	278235
Segmented anode rod	143498

10. Transport



It is vital that the following transportation information is observed to ensure the appliance is transported safely



We recommend transporting the appliance in a vertical position.

- » Transport the appliance in its packaging to protect it against damage.
- » Transport the appliance in an upright position.

10.1 Transport in a horizontal position

The appliance can also be transported horizontally over short distances on good roads. Observe the following information:

- Ensure that no pressure is applied to the packaging.
- Even in its packaging, never place other devices or objects on the appliance.

10.1.1 Position of the air intake side

The air intake side of the appliance is identified on the packaging with a label.

- » Ensure that the air intake side of the appliance is facing downwards if the appliance is transported horizontally.

11. Installation



CAUTION Injury

Incorrect installation can result in severe injuries and material losses. Prior to installation ensure you have adequate space for the work to be carried out. Handle components with sharp edges carefully.



The sheet steel casing of the water heater is not designed to withstand heavy forces. Handle and install the water heater with care.

11.1 Installation location



DANGER Explosion

Never install the water heater in rooms where it is at risk from explosions as a result of dust, gases or vapors.



WARNING Injury

The room where the water heater is to be installed must have a load-bearing floor. There is a risk of the water heater breaking through the floor if the substrate has insufficient load-bearing capacity. The wet weight of the water heater is approx. 430 kg (950 lb). If the floor offers inadequate load-bearing capacity, there is a risk of the water heater breaking through the floor, resulting in a risk to life.



Risk of frost damage

Install the water heater only in an area free from the risk of frost. When the water heater is not in use and there is a risk of frost, the water inside the water tank can freeze and damage the tank.

- Never install the water heater in areas where the air temperature regularly drops below 6 °C (42 °F) or rises above 42 °C (108 °F).
- To prevent nuisance through operating noise, never install the water heater in the vicinity of bedrooms. Prevent noise emissions towards a neighbor.
- Allow adequate space around the water heater for installation, maintenance and cleaning tasks.

With internal installations, also observe the following:

- The available floor area in the installation room must be at least 6 m² (10' x 10' - 100 ft²). The room volume must not be less than 13 m³ (500 ft³).
- The water heater must not be restricted by walls and ceilings. The required minimum clearances are specified in chapter "Positioning the water heater/positioning conditions" (see chapter 10.5, "Positioning the water heater").
- Observe that the room temperature will drop by 1 to 3 °C (2 to 6 °F) as a result of the water heater operation.
- When installing the water heater in a furnace room, ensure that the furnace operation will not be impaired.
- To keep line runs as short as possible, we recommend that the water heater is installed near the kitchen or bathroom.

11.2 Shipping inspection

- » Upon receipt, check your delivery for completeness and possible transport damage.

If transport damage is visible, proceed as follows:

- Do not accept the delivery or only with reservations.
- Note down the extent of the damage on the shipping documents or on the delivery note of the carrier.
- Initiate a complaint.



Immediately give notice of any damage.

Give notice of all damage as soon as it has been identified. Claims can only be accepted within the applicable claim period.

11.3 Handling



CAUTION Injury through heavy loads

Dry, this water heater weighs 130 kg (290 lb.). Use suitable aids and sufficient personnel when handling this water heater.



Risk of damage through incorrect handling.

Incorrect handling can result in substantial material losses. Observe the information on the packaging. Remove the packaging just before the installation.

INSTALLATION

INSTALLATION



Risk of damage through overturning.
The water heater has a high centre of gravity and a low overturning moment. Protect the water heater against overturning.
Only position the water heater on a level substrate.

To protect the water heater against damage, it should be transported vertically inside its packaging. Where space is restricted, you can also tilt (max. 45°) the water heater briefly to move it.

11.4 Storage

Where it is necessary to store the water heater prior to installation for a longer period, observe the following:

- If possible, store the water heater in a dry and dust-free ambience.
- Prevent the water heater from coming into contact with aggressive materials.
- Prevent the water heater from being exposed to shocks or vibrations.
- In case of prolonged storage, check the condition of the water heater and its packaging regularly.

11.5 Positioning the water heater

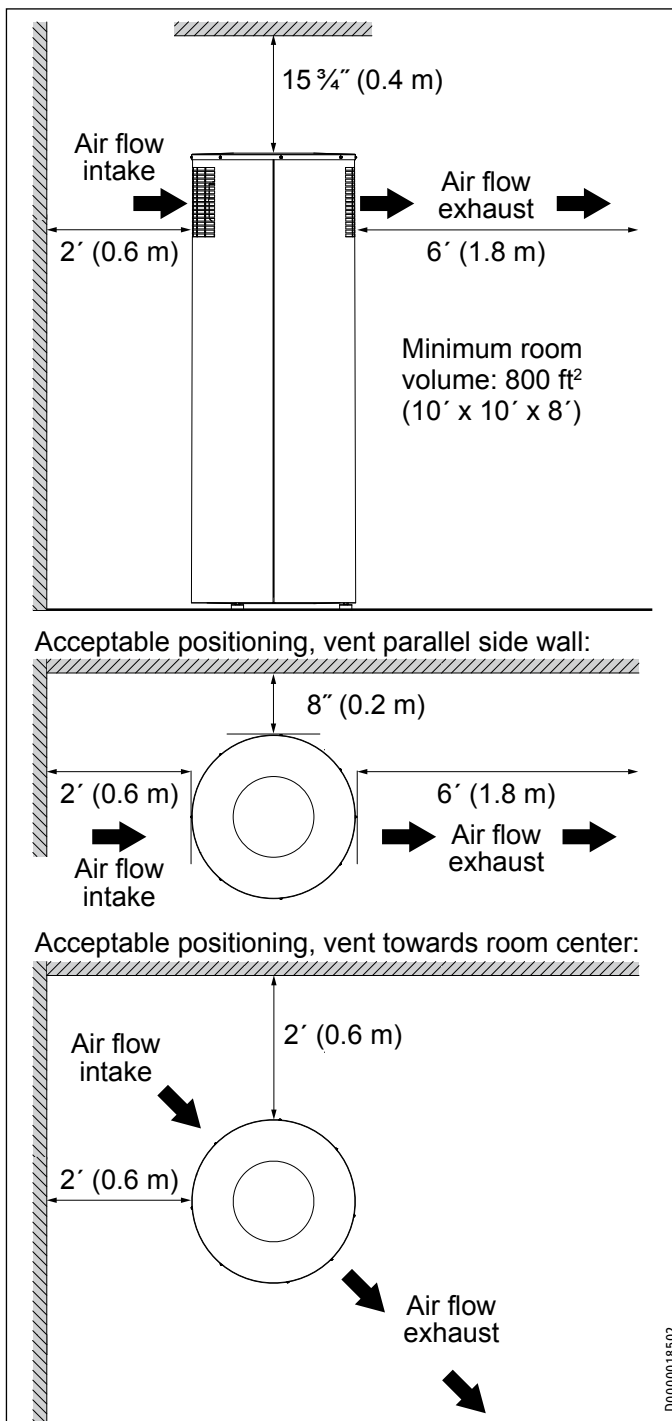
» Position the water heater with its wooden pallet at the final installation location in a 10' x 10' x 8' area.

Install the water heater so that there is an adequate clearance adjacent to the air grilles (see the following diagrams).

11.5.1 Installation conditions

It is important for water heater performance and to avoid damage to adjacent surfaces that adequate clearance remains available on the air flow intake (min. 2') and air flow exhaust sides (min 6') of the unit.

It is important for water heater maintenance that adequate space remains available above the water heater.



» Level the water heater horizontally by adjusting the feet.

11.6 Unpacking the water heater



Ensure that the casing material in the lower section will not be damaged.



Advice - The longer you keep the packaging foil wrapped around the water heater, the longer it will be protected against damage.

INSTALLATION

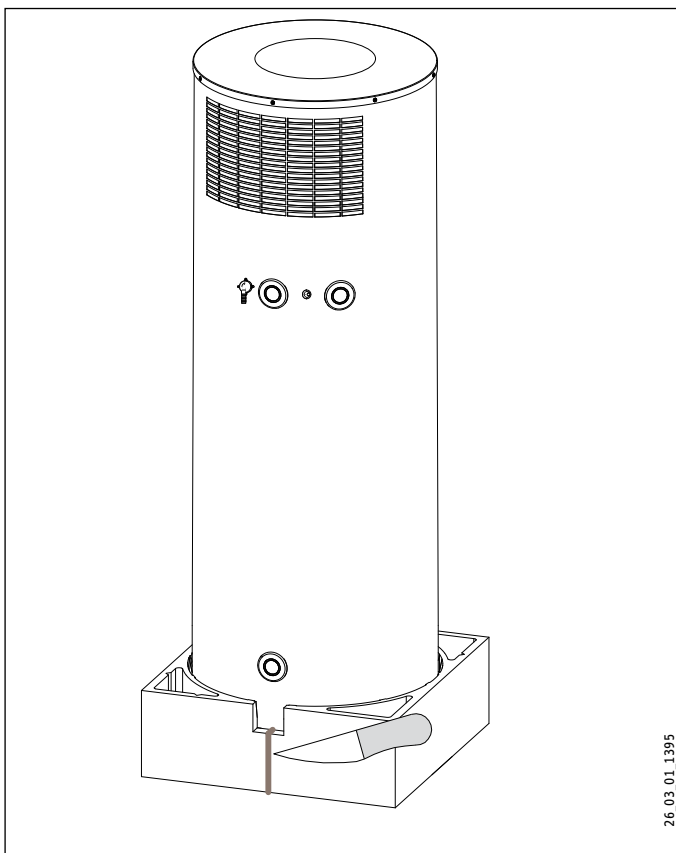
INSTALLATION

- » Remove the packaging straps.
- » Push the packaging foil far enough upwards that the pallet is freely accessible.
- » Remove the water heater carefully with the polystyrene® packaging from the pallet.



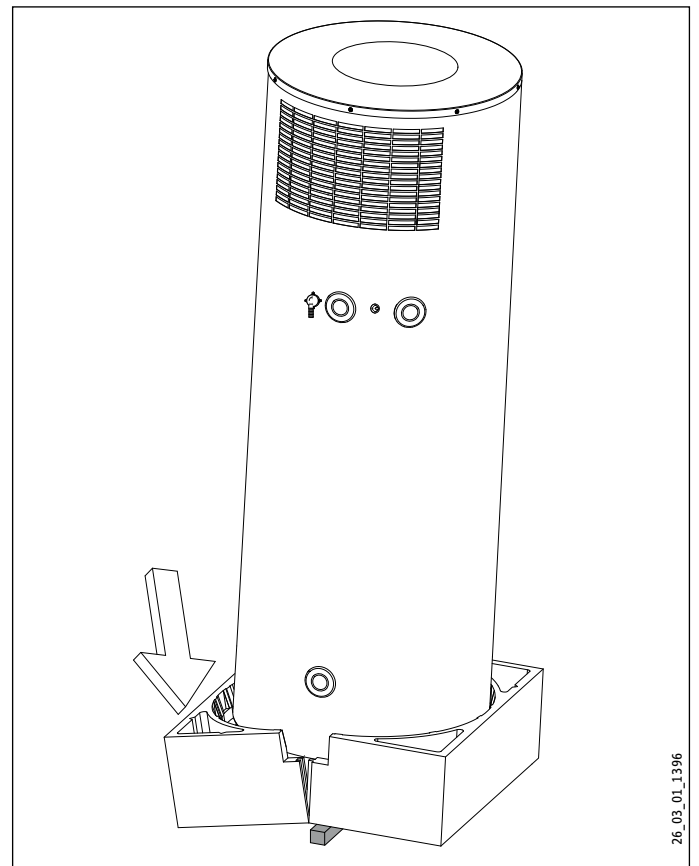
DANGER Injury from tipping over
The water heater has a high centre of gravity and a low overturning moment. Ensure that the water heater does not overturn when you remove it from its pallet.

- » Slide the packaging foil far enough upwards to be able to remove the first polystyrene® profiles from the sides. These polystyrene® profiles on the sides are used as installation aids in the following steps.



26_03_01_1395

- » Separate the lower packaging section at the dividing line. For this, make an incision of approx. 30 mm (1.25") into both sides of the dividing line.



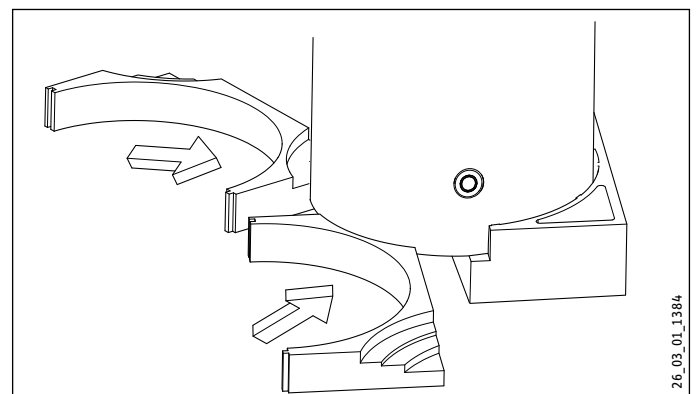
26_03_01_1396

- » Slightly tilt the water heater.



DANGER Injury from overturning
Secure the water heater against overturning by getting a second person to support the water heater.

- » Push a wooden support underneath the lower part of the packaging.
- » Break out the free semi-shell of the lower section of the packaging.
- » Keep the water heaters slightly tilted.
- » Wind out the free leveling foot, but not by more than 30 mm (1.25").
- » Turn the locking nut on the thread of the leveling foot towards the bottom cover. When the locking nut is tight against the bottom cover, it stabilizes the leveling foot.

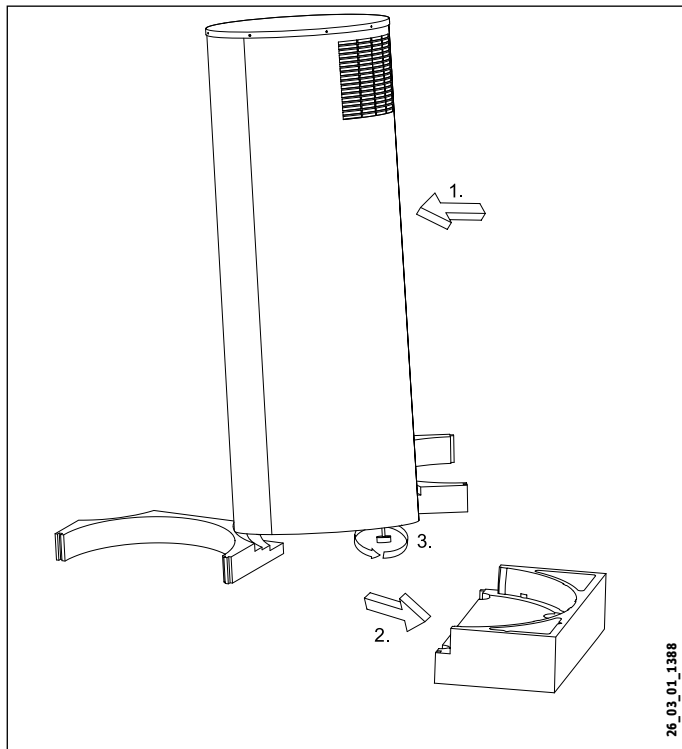


26_03_01_1384

INSTALLATION

INSTALLATION

- » Push two polystyrene® installation aids with the step-shaped corner underneath the water heater. The water heater is subsequently set and tilted onto this profile. Ensure that you do not set the water heater down in the area of the joint edge of the sheet steel jacket, but at least 150 mm (6") along.



- » Tilt the water heater that has been set down on the polystyrene® installation aids.
- » Remove the remaining floor semi-shell.
- » In the tilted state of the water heater, wind out the second and third leveling foot, but not by more than 30 mm (1.1").
- » In both cases, tighten the locking nut against the bottom cover.
- » Position the water heater on the three leveling feet.
- » Level the water heater vertically by adjusting the three leveling feet.
- » Remove any packaging that remains on the water heater.
- » Install condensate drain elbow.

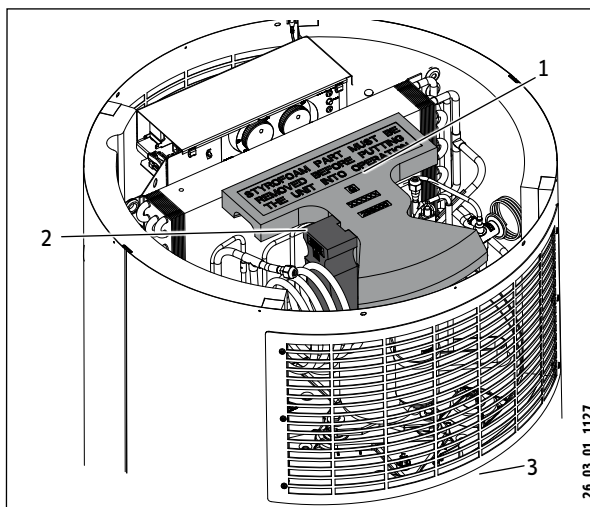
11.7 Removing the transport lock

There is a two-part transport lock to the heat pump unit of the appliance. The transport lock must be removed before the appliance is installed.



In its delivered condition, the appliance cover is held in place by only 4 screws. The remaining screws for the appliance cover can be found in a plastic bag supplied with the appliance in the lower section of the appliance packaging.

- » Undo the 4 screws in the appliance cover and remove the cover to open the appliance.
- » Remove the notice about secure transport which is fixed between the appliance casing and cover.



- 1 Transport lock part I
- 2 Transport Lock part II
- 3 Air intake

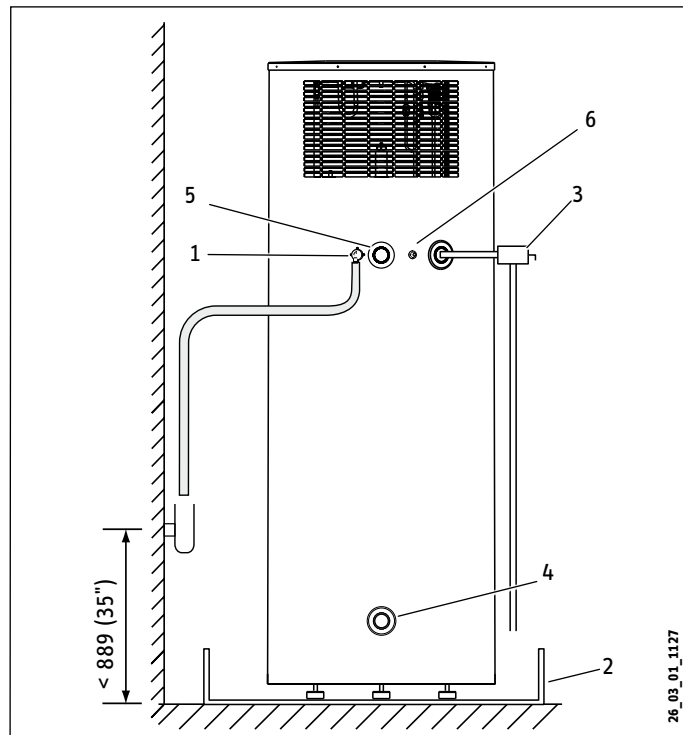
- » Carefully remove transport lock part II by pulling it gently out of transport lock part I.
- » Remove transport lock part I.
- » Ensure there is no packaging left in the appliance.
- » Check the heat pump unit for transport damage.
- » Position the cover back on the appliance and secure it with the 8 supplied screws.



Never commission the appliance immediately after removing the transport lock.

- » Wait at least 1 hour before commissioning the appliance.

11.8 Condensate drain



- 1 Condensate drain or
- 2 Drain pan connected to drain
- 3 T&P valve
- 4 Cold water connection
- 5 Hot water connection
- 6 Condensate spillover

The condensate drain is located on the side of the water heater. This is where you can connect a drain hose.

When installing the unit outdoors, the condensate can drain off freely.

For indoor installation, the condensate can be routed into a floor drain or routed through the wall up to 889 mm (35") (see diagram above).

If required, install a condensate pump.



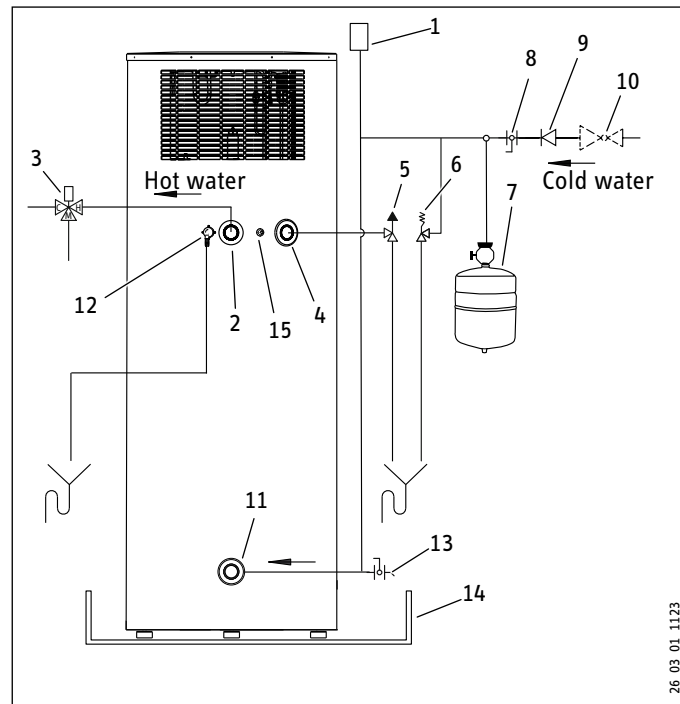
To ensure the condensate drains correctly, never kink the hose.

11.9 Water connection

The water connection must be carried out by a qualified licensed plumber.

The cold water connection must comply with DIN 1988 [or state and local codes]

» Prior to installing the water heater, flush the line thoroughly.



- 1 Vacuum breaker
- 2 Hot water connection (Union adaptor to 3/4")
- 3 Mixing valve (optional, supplied by installer)
- 4 Connection for T&P valve 3/4"
- 5 T&P valve 3/4", 0.69 MPa @99 °C (100 psi @210 °F) (supplied with unit)
- 6 0.551 MPa (80 psi) relief valve (optional, supplied by installer)
- 7 Expansion tank (optional, supplied by installer)
- 8 Straight-through shut-off valve (supplied by installer)
- 9 Check valve (optional, supplied by installer)
- 10 0.48 MPa (70 psi) pressure reduction valve (optional, supplied by installer)
- 11 Cold water connection (with Union adaptor to 3/4")
- 12 Condensate drain (elbow supplied with unit)
- 13 Drain valve (supplied by installer)
- 14 Drain pan (supplied by installer)
- 15 Condensate spillover

- » Remove the protective plastic caps from the connectors.
- » Connect the plumbing.



Risk of damage through corrosion
To protect against the risk of corrosion, make the connection with flat gaskets.

- » Insulate the hot water line against heat loss.
- » Install a drain valve at the lowest point of the cold water supply.

Install a 0.48 MPa (70 psi) pressure reducing valve on the cold water inlet.

INSTALLATION

INSTALLATION

Accurately maintain the order of fittings on the cold water side (see diagram 10.7).

11.9.1 Safety valve (on-site provision)

This water heater is a sealed unit. A 0.69 MPa, 99 °C (100 psi, 210 °F) T&P relief valve must be installed.

When installing the T&P valve, observe the following:

- Size the drain line so that water can drain off completely, even if the safety valve is fully open.
- The drain outlet must not be able to be closed and must always remain open to atmosphere.
- The T&P valve must open at a pressure of 0.69 MPa (100 psi) and be 3/4" pipe thread.

11.9.2 T&P valve (on-site provision)



WARNING Risk of injury through excessive pressure and temperatures.

Install safety equipment that meets the applicable regulations for the installation locations. In any case install a "Pressure and Temperature Relief valve (T&P relief)" that complies with the requirements of the ANSI Z21.22 ("Requirements for Relief Valves and Automatic Gas Shut-off Water heaters for Hot Water Supply Systems").

The T&P valve must respond at a pressure of 0.69 MPa (100 psi). Fit the T&P valve into the opening on the circumference of the water heater indicated.

Ensure that any expelled water cannot come into contact with 'live' parts and will not run onto sensitive surfaces. Ensure that the T&P valve outlet remains free at all times.

11.10 Power supply: 240V / 15A double pole circuit breaker

The electrical connection must be carried out by a qualified electrician.

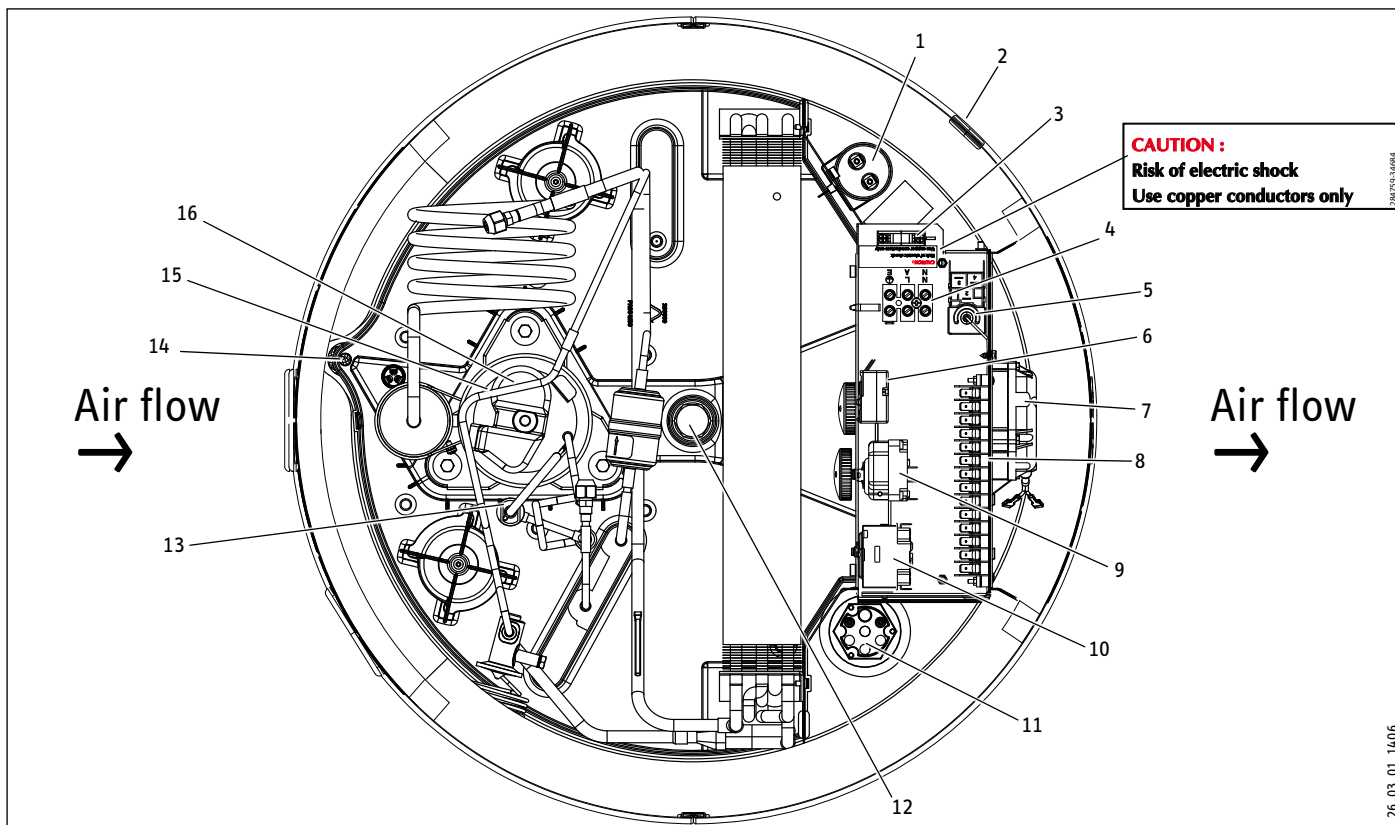


DANGER Electric shock

Contacting 'live' components results in a risk to life.

- » Disconnect the water heater from the power supply before carrying out work on the control panel.
- » Be sure that no one can reconnect the power while you are working.

When making a connection use code compliant disconnects. Undo the screws and remove the water heater cover.



- | | |
|--|--|
| <ul style="list-style-type: none"> 1 Capacitor 2 Cable entry into the water heater casing 3 Strain relief (cable clamp) 4 Mains terminal 5 Frost monitor 6 Heat pump control thermostat 7 Fan motor 8 Heat pump terminal 9 Thermostat, booster heater | <ul style="list-style-type: none"> 10 High limit safety cut-out, booster heater, manual reset (see 14.1.1) 11 Booster heater 12 Sacrificial anode 13 Safety pressure limiter, manual reset, (see 14.1.2) 14 Condensate pan drain 15 Compressor 16 Compressor motor protection (Klixon), delay auto reset (see 14.1.3) |
|--|--|

- » Pull the power cable through the cable entry into the water heater interior.
- » Route the power cable through the strain relief (cable clamp).
- » Connect the power cable to the mains terminal in accordance with the wiring diagram (see chapter 16.2 "Wiring Diagram". L1, L2 and ground).



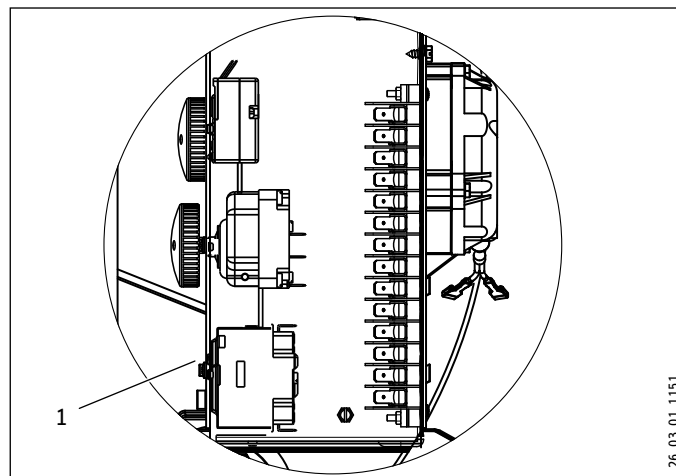
WARNING Electric shock
Risk of injury through inadequate grounding.
 » Ensure that the water heater is correctly grounded in accordance with the requirements at the place of installation.

The ground conductor of the power cable must be connected to the terminal marked G or Earth.

11.10.1 High limit safety cut-out

At ambient temperatures below -10 °C (14 °F), for example during shipping or in storage, the high limit safety cut-out may trip.

Press the reset button of the high limit safety cut-out to reset it. To do this, first remove the water heater cover.



- 1 Reset button for high limit safety cut-out

INSTALLATION

INITIAL START-UP

12. Initial start-up

12.1 Initial start-up

Only approved, licensed installers may perform the initial start-up of this water heater, and instruct the user in its operation.

- » Fill and vent the water heater. For this, open the cold water supply and one hot water tap.
- » Thoroughly flush the water heater.
- » Check the safety valves. Inform the user that water may drip from the safety valve while water is being heated up.
- » Connect power by resetting the circuit breaker.



This water heater must not be operated at ambient temperatures below 6 °C (43 °F) or above 42 °C (107 °F).

12.2 Shutting down

The water heater can only be switched off by disconnecting the power supply.

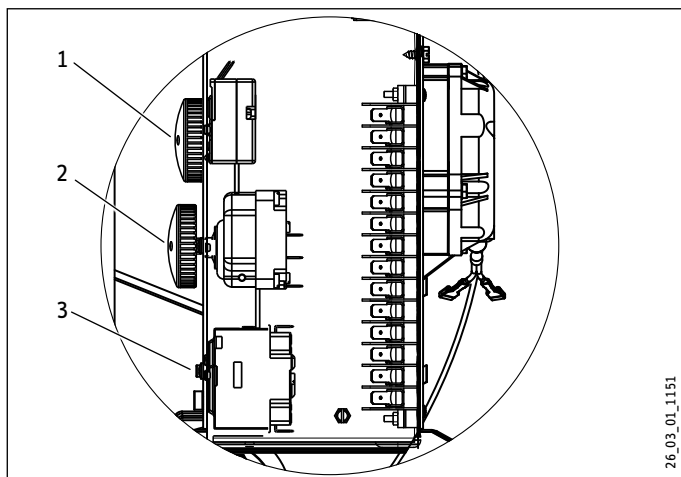
12.3 Restarting

If power has been switched off or interrupted, wait 15 minutes before turning unit back on.

13. Settings

13.1 Adjusting the water temperature

The water temperature must only be adjusted by a licensed installer, as the cover must be removed from the water heater.



- 1 Thermostat, heat pump operation
- 2 Thermostat of the booster heater
- 3 High limit safety cutout

The temperature is reduced by turning the thermostat counter-clockwise.

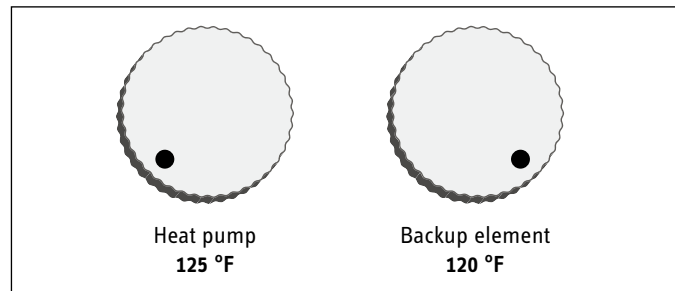


Adjust both thermostats to the same setting. Energy consumption will rise if the temperature is set lower at the heat pump thermostat than at the booster heater thermostat.

Ensure that both thermostats are adjusted to the same setting.

Energy consumption will rise if the temperature is set lower at the heat pump thermostat than at the booster heater thermostat. **The booster heater must be set equal to or lower than the heat pump.**

13.2 Knob settings



14. Water heater hand over

- » Explain the functions to the user. Draw special attention to the safety information.
- » Hand these operating instructions to the user.

15. Troubleshooting



WARNING Electric shock

Always disconnect the power supply before working on the water heater.

15.1 Safety equipment of the water heater

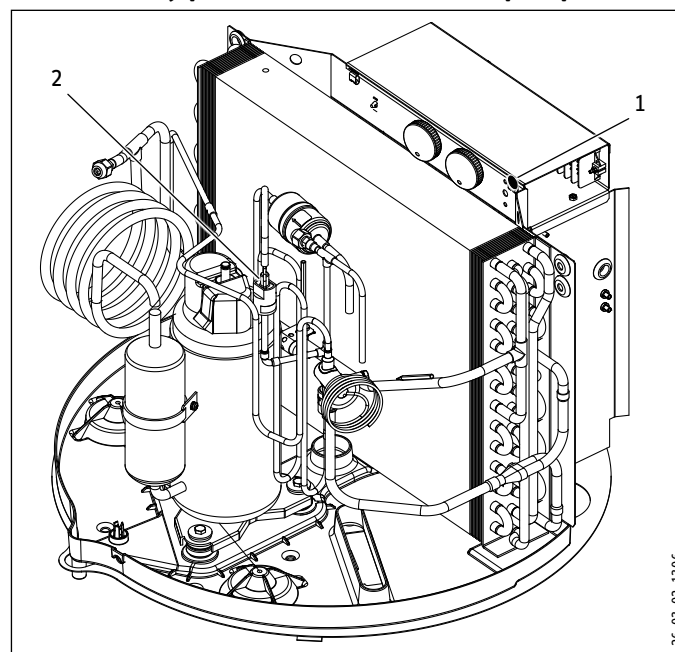
If faults develop, the safety cutouts on the water heater will interrupt the appropriate power circuits.

15.1.1 High limit safety cut-out for booster heater

The high limit safety cut-out protects the water heater against overheating. The booster heater is switched off when the temperature of the water inside the tank exceeds 95 °C (203 °F).

After removing the source of the fault, press the reset button on the high limit safety cut-out. To do this, first remove the water heater cover. See below.

15.1.2 Safety pressure limiter for heat pump



- 1 Reset button for the high limit safety cutout
- 2 Reset button for the safety pressure limiter

The safety high pressure limiter shuts down the compressor if the pressure inside the refrigerant circuit exceeds the permissible maximum value. The safety high pressure limiter may also trip if the water heater is operated above its permissible limit, i.e. above an air temperature of 42 °C (107 °F). (See above)

The safety pressure limiter also trips if the heat pump thermostat fails.

- » After the cause of the fault has been removed, reset the safety pressure limiter by pressing the reset button.

15.1.3 Protective motor switch - klixon

The protective motor switch will shut down the compressor if it is overloaded because of excessive thermal load. Remove the cause. After a short cool-down phase, the protective motor switch will restart the compressor automatically.

15.2 Troubleshooting

15.2.1 Excessive power consumption

- » Lower the temperature of the booster heater.

15.2.2 The room temperature falls excessively

One possible cause is an inadequate air flow over the evaporator.

- » Check the fan.
- » Check for clogged evaporator.
- » Ensure that the intake and discharge flow are not restricted.

16. Maintenance and cleaning

Only qualified licensed installers must carry out maintenance work in accordance with these instructions.



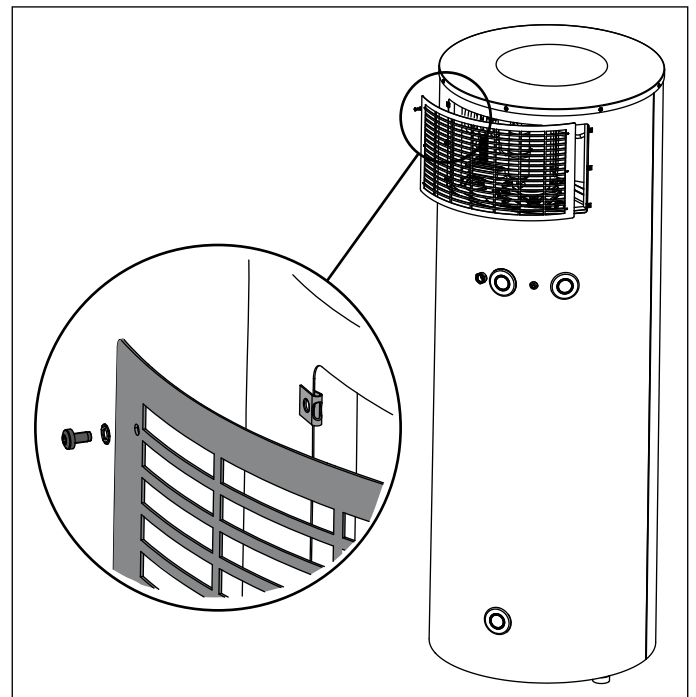
WARNING Electric shock

Maintenance work, such as checking the electrical safety, must only be carried out by an electrician. Always disconnect the power supply before working on the water heater.

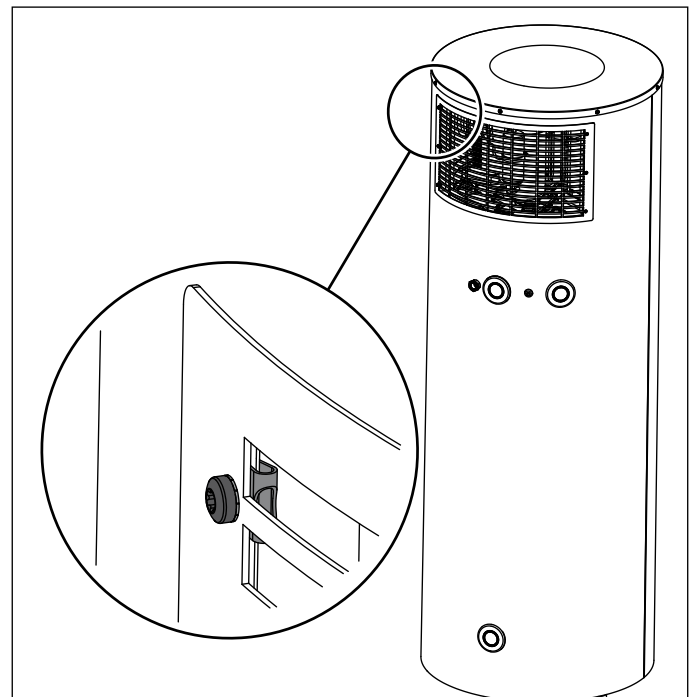


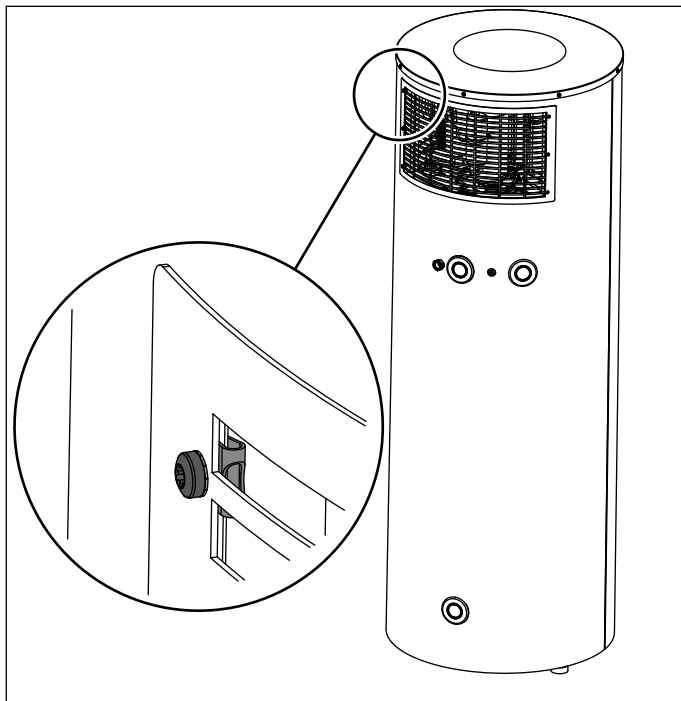
You may remove the air intake grill if there is not enough room for maintenance work above the appliance even after its cover has been removed. The air intake grill is secured with spring nuts. The inside of the grill intake features an adhesive sealing strip.

- » Never remove the sealing strip.
- » Always use the spring nuts during reassembly.
- » Refit the air intake grill after completing the maintenance and repair work.



1 Removable air intake grill with an all-around adhesive strip on the inside.





16.1 Cleaning the evaporator



WARNING Injury

The evaporator has many sharp-edged fins. When cleaning the evaporator, proceed with caution and wear protective clothing, in particular safety gloves.

Maintaining the full output of the water heater at all times requires an occasional professional cleaning of the evaporator.

- » Undo the screws that connect the water heater cover and remove.
- » Carefully clean the evaporator fins. Only use water and a soft brush. Never use acidic or alkaline cleaning agents.

16.2 Draining the tank



WARNING Scalding

Hot water can be expelled when draining the tank.

- » Close the shut-off valve in the cold water line.
- » Fully open the hot faucets at all points.

The tank is drained via the cold water supply. Some residual water will remain in the bottom of the tank.

- » Open the drain valve (see chapter 10.7, "Water connection").

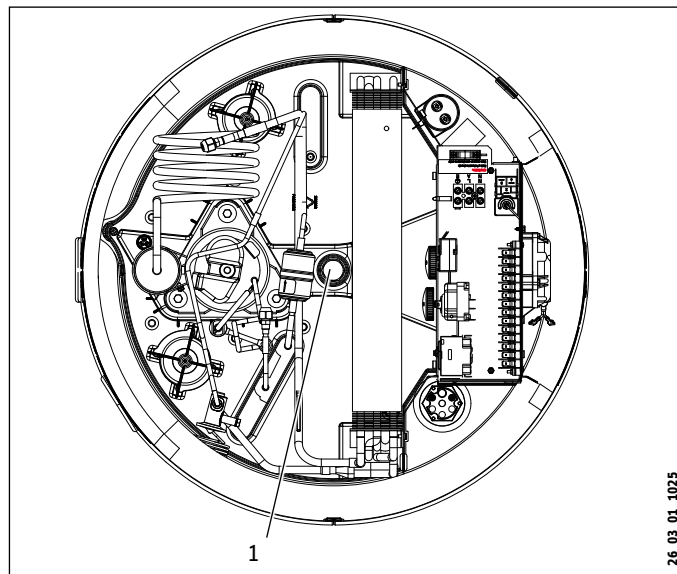
If a drain valve was not installed, undo the fitting on the cold water supply of the water heater.

16.3 Sacrificial anode rod

A sacrificial anode rod is inserted in the top of the water heater. The sacrificial anode rod fitted at the factory is approx. 1260 mm (50") long.

The timing of the anode inspection is subject to the local water quality and is determined by your local licensed installer. We

recommend that the anode is checked no later than 12 months after initial start-up.



1 Sacrificial anode rod

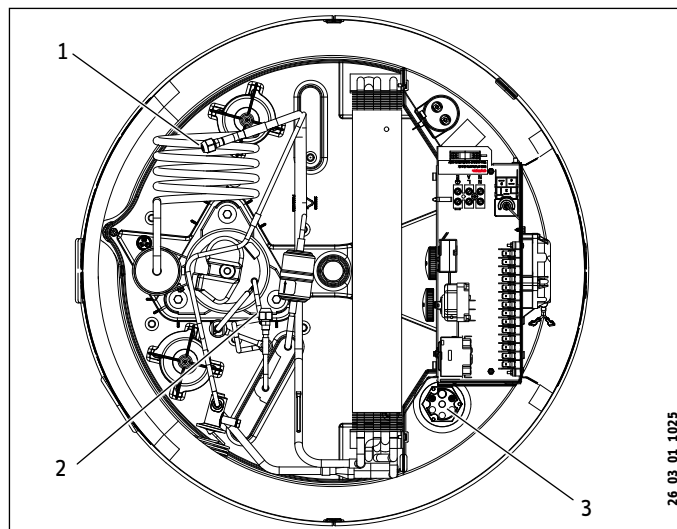
If the anode is used up, you will need to replace it. Should it prove impossible to install an anode rod (length approx. 1260 mm (50")), install a segmented anode.

Description	Part #
Anode rod	278235
Segmented anode rod	143498

During the anode rod installation ensure a clean metal-conducting connection between the anode and the tank.

16.4 Descaling

- » Close the shut-off valve in the cold water supply to the tank.
- » Draw water from the tank to relieve the pressure inside the water heater.



- 1 Low pressure fill port
- 2 High pressure fill port
- 3 Booster heater flange

- » Unscrew the booster heater flange and remove element.

- » Immerse scaled sections of the heater element into a descaling liquid (for example citric acid), until the limescale has dissolved.
- » Flush the descaling liquid (white vinegar is another example) off and allow the immersion heater element to dry.

16.5 Checking valves

16.5.1 Safety valve (on-site provision)

For reasons of safety, it is necessary to check the T&P valve for proper function from time to time.

- » Crack open the safety valve until a full jet of water is discharged.
- » Close the safety valve when the check is complete.

How quickly limescale builds up depends on the local water quality and the hot water temperature. As your local licensed installers are familiar with your local water quality, let them determine the timing of the next service.

16.5.2 Pressure reducing valve (on-site provision)

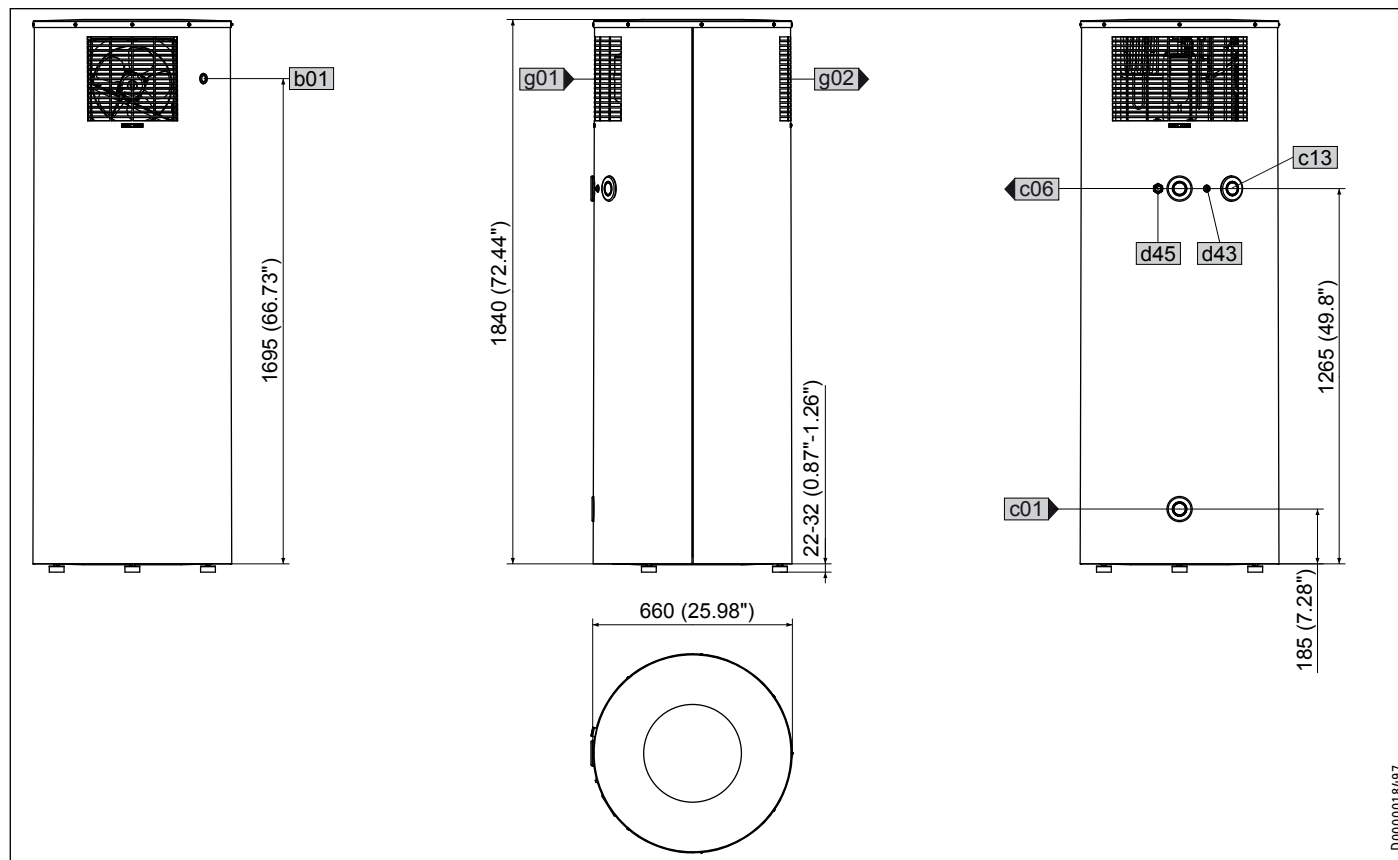
- » Check the on site pressure relief valve for function. If required, replace the valve.

16.5.3 Checking refrigerant levels

- » Only licensed HVAC technicians should service the heat pump or check on the refrigerant levels.
- » When checking refrigerant levels at fill ports be sure to use new crush washers (supplied with unit).

17. Specification

17.1 Connection and dimensions

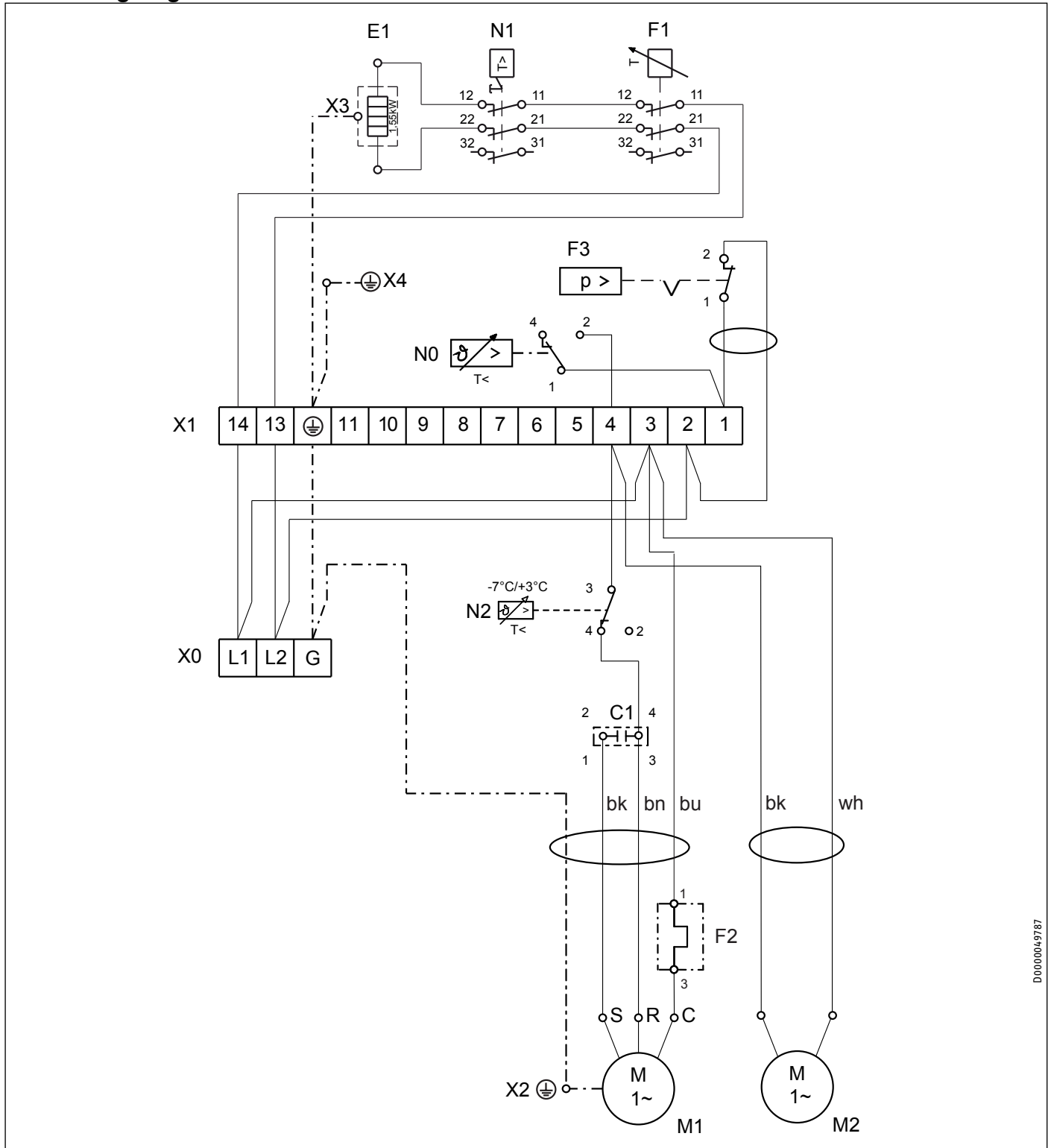


D0000018497

Accelera® 300 Connections and dimensions

b01	Entry electrical cables		
c01	Cold water inlet	Male thread	G 1
c06	DHW outlet	Male thread	G 1
c13	T&P valve	Female thread	G 3/4
d43	Condensate overflow		
d45	Condensate drain	Male thread	G 3/4
g01	Air intake		
g02	Air discharge		

17.2 Wiring diagram

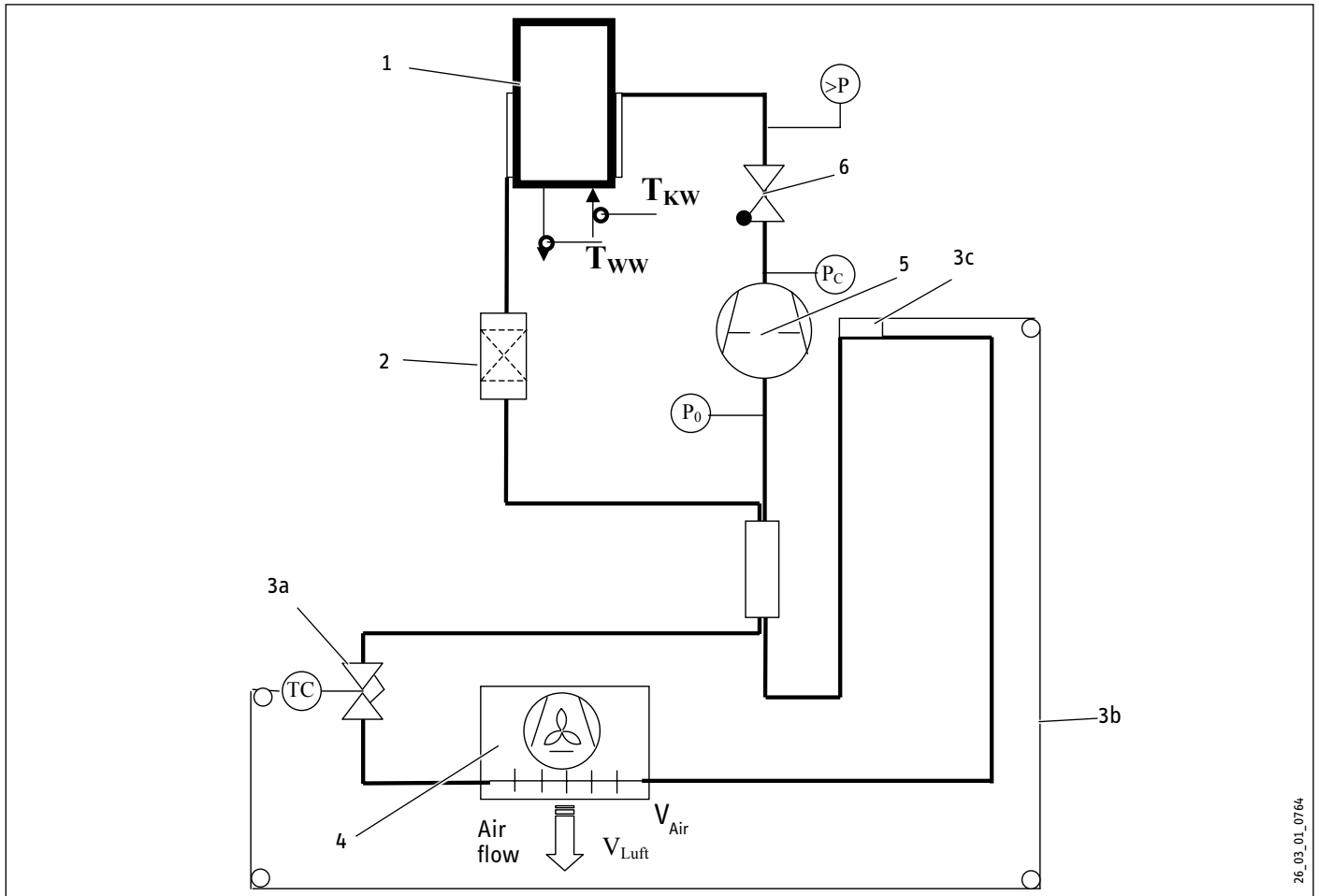


- E1 Booster heater
- F1 High limit safety cut-out, booster heater
- F2 Compressor motor protection (Klixon)
- F3 Safety pressure limiter (high pressure)
- M1 Compressor
- M2 Fan
- N0 Heat pump control thermostat
- N1 Thermostat - booster heater
- N2 Frost monitor

- X0 Main terminal
- X1 Heat pump terminal
- X2 Ground, compressor
- X3 Ground, booster heater
- X4 Steel tank jacket ground

D0000049787

17.3 Refrigerant diagram



- 1 Tank w/ heat condenser, jacket & temperature sensors
- 2 Filter dryer
- 3a Expansion valve
- 3b Capillary tube
- 3c Capillary bulb
- 4 Fan & evaporator
- 5 Compressor
- 6 Check valve
- PC Service valve high pressure
- P₀ Service valve low pressure
- >P High pressure safety switch
- TC Thermostatic expansion valve

26_03_01_0764

INSTALLATION SPECIFICATION

17.4 Technical Data

Model	Accelera 300
Type	Heat pump water heater
Part number	222423
Version	With passive defrosting and booster heater
Operating details	
Lower application limit for heat pump operation (air temperature)	42.8 °F / 6 °C
Upper application limit for heat pump operation (air temperature)	107 °F / 42 °C
Hot water temperature, heat pump	140 °F / 60 °C
Hot water temperature, booster heater	140 °F / 60 °C
Air flow rate	324 cfm / 550 m ³ /h
Tank capacity	80 gal / 303 l
Refrigerant	R 134a
Refrigerant / filling weight	32 oz / 900 g
Water heater height (minimum)	73.4" / 1865 mm
Water heater height (maximum)	74.9" / 1903 mm
Water heater diameter	26" / 660 mm
Dimension when tilted incl. packaging	87.6" / 2225 mm
Dimension when tilted, excl. top packaging	84.7" / 2150 mm
Dimension when tilted, excl. wooden pallet and top packaging	79.9" / 2030 mm
Dimension when tilted, excl. packaging	78.4" / 1990 mm
Weight (dry tank)	287 lbs / 130 kg
Weight (wet)	950 lbs / 432 kg
Water connection with adaptor	Union to 3/4"
Condensate drain	3/4"
Condenser	Rollbond safety heat exchanger
Permissible operating pressure, low (cold) side*	87 psi / 0.6 MPa
Permissible positive pressure, high (hot) side*	348 psi / 2.4 MPa
Sound pressure level (spl)	55.2 dB(A)
Maximum inlet water temperature	140 °F / 60 °C
Electrical details	
Power connection, voltage / frequency	L1,L2,G / 208-240 V / 60/50 Hz
Protection	IP 24
Maximum power consumption (Tamb = 42 °C (108 °F), Twater = 60 °C (140 °F), 240 V)	2.2 kW
Required circuit breaker size	15 A double pole breaker
Rated power consumption, heat pump	2.5 A
Rated power consumption HP (in accordance with DIN 8947, at 15 °C (59 °F) air temperature, 70% RH and 45 °C (113 °F) water temperature)	0.5 kW
Power consumption, booster heater	1.690 kW
Heating output HP (at 15 °C (59 °F) air temperature, 70% RH, water heat-up from 15 °C (59 °F) to 60 °C (140 °F), in accordance with EN 255 T3, 240 V / 60 Hz)	approx. 1.7 kW

INSTALLATION SPECIFICATION

Model	Accelera 300
--------------	---------------------

COP(t) (at 15 °C (59 °F) air temperature, 70% RH, water heat-up from 15 °C (59 °F) to 60 °C (140 °F), in accordance with EN 255 T3, 240 V / 60 Hz)	3.18
--	------

* Standard automotive R-12/R-134A manifold gauge set can be used to test and fill refrigerant.



The installation, electrical connection and first operation of this appliance should be carried out by a qualified installer.



The company does not accept liability for failure of any goods supplied which have not been installed and operated in accordance with the manufacturer's instructions.

Environment and recycling

Please help us to protect the environment by disposing of the packaging in accordance with the national regulations for waste processing.

HEAT PUMP WATER HEATERS

ALL Accelera® Models

LIMITED WARRANTY

Subject to the terms and conditions set forth in this limited warranty, Stiebel Eltron, Inc. (the "Manufacturer") hereby warrants to the original purchaser (the "Owner") that each Heat Pump Water Heater (the "Heater") shall be free from defects in the Manufacturer's materials or workmanship for a period of:

1. (10 Years) from the date of purchase for single family residential installations
2. (1 Year) from the date of purchase for all other installations
3. (Excluded) sacrificial or electronic anode

As Owner's sole and exclusive remedy for the above warranty, Manufacturer shall, at the Manufacturer's discretion, either factory repair or replace the defective Heater with a replacement unit or part(s) with comparable operating features. Manufacturer's maximum liability under all circumstances shall be limited to the Owner's purchase price for the Tank.

This limited warranty shall be the exclusive warranty made by the Manufacturer and is made in lieu of all other warranties, express or implied, whether written or oral, including, but not limited to warranties of merchantability and fitness for a particular purpose. Manufacturer shall not be liable for incidental, consequential or contingent damages or expenses arising directly or indirectly from any defect in the Heater or the use of the Heater. Manufacturer shall not be liable for any water damage or other damage to property of Owner arising, directly or indirectly, from any defect in the Heater or the use of the Heater. Manufacturer alone is authorized to make all warranties on Manufacturer's behalf and no statement, warranty or guarantee made by any other party shall be binding on Manufacturer.

Manufacturer shall not be liable for any damage whatsoever relating to or caused by:

1. any misuse or neglect of the Heater, any accident to the Heater, any alteration of the Heater, or any other unintended use;
2. acts of God and circumstances over which Manufacturer has no control;
3. installation of the Heater other than as directed by Manufacturer and other than in accordance with applicable building codes;
4. improper installation and/or improper materials used by any installer and not relating to defects in parts or workmanship of Manufacturer;
5. failure to maintain the Heater or to operate the Heater in accordance with the Manufacturer's specifications;

6. failed components not originally installed by the Manufacturer as a part of the unit at the time of sale;
7. exposure to freezing conditions;
8. exposure to harmful chemicals, contaminated water, corrosive fluids or corrosive atmosphere;
9. installing the Heater in a closed system without a properly sized and installed thermal expansion tank;
10. operating the Heater without the factory installed electronically impressed anode rod, or sacrificial anode;
11. replacing the electric heating element with a unit not manufactured by Stiebel Eltron or greater in power than the originally installed element;
12. connecting the Heater to improper voltage or service;
13. operating the Heater under fluctuating or excessive water pressure or in the event the Heater is supplied with non-potable water for any duration;
14. operating the unit when it is empty or partially full of potable water;
15. installing and operating the Heater outdoors;
16. operating the Heater at temperatures higher than recommended by Manufacturer;
17. not properly draining the unit during power outages lasting longer than two days;

Should Owner wish to return the Heater to manufacturer for repair or replacement under this warranty, Owner must first secure written authorization from Manufacturer. Owner shall demonstrate proof of purchase, including a purchase date, and shall be responsible for all removal and transportation costs. If Owner cannot demonstrate a purchase date this warranty shall be limited to the period beginning from the date of manufacture stamped on the Heater. Manufacturer reserves the right to deny warranty coverage upon Manufacturer's examination of the Heater. This warranty is restricted to the Owner and cannot be assigned.

Some States and Provinces do not allow the exclusion or limitation of certain warranties. In such cases, the limitations set forth herein may not apply to the Owner. In such cases this warranty shall be limited to the shortest period and lowest damage amounts allowed by law. This warranty gives you specific legal rights and you may also have other rights which vary from State to State or Province to Province.

Owner shall be responsible for all labor and other charges incurred in the removal or repair of the Heater in the field. Please also note that the Heater must be installed in such a manner that if any leak does occur, the flow of water from any leak will not damage the area in which it is installed.

This Warranty is valid for U.S.A. & Canada only. Warranties may vary by country. Please consult your local Stiebel Eltron Representative for the Warranty for your country.

STIEBEL ELTRON

17 West Street
West Hatfield, MA 01088

TOLL FREE 800.582.8423

PHONE 413.247.3380

FAX 413.247.3369

info@stiebel-eltron-usa.com

www.stiebel-eltron-usa.com



Por favor, leer.

Leer estas instrucciones detenidamente y tenerlas en cuenta en adelante. Si se transfiere el calentador de agua a un tercero, por favor entregarle estas instrucciones.

Este manual incluye información importante sobre el manejo seguro y eficiente del calentador de agua. Mantener el manual cerca del calentador en todo momento.

Solo un instalador autorizado que haya leído y comprendido estas instrucciones deberá instalar el calentador. Se deben cumplir todos los códigos nacionales, estatales y locales; de lo contrario, se podrían ocasionar fallas en el equipo, heridas severas, o la muerte.

Mientras se instala el calentador, se deberá desconectar el suministro de electricidad.

Las imágenes que se muestran están diseñadas para ayudar a comprender las instrucciones, y pueden diferir de la versión del calentador de agua real. No se aceptarán reclamos por malinterpretar las imágenes.

Responsabilidad limitada:

Todos los detalles y la información de este manual se recopilaron a partir de la consideración de las normas y regulaciones pertinentes, el estado del artefacto y nuestros extensos conocimientos y experiencia.

No seremos responsables de las pérdidas en las que se incurrieren por:

- El incumplimiento de estas instrucciones
- El uso indebido
- La instalación del calentador realizada por personal no calificado
- Modificaciones no permitidas
- Modificaciones técnicas
- Uso no autorizado de los repuestos

Copyright:

Estas instrucciones de uso e instalación están sujetas a copyright.

La transferencia de estas instrucciones a terceros, la copia de cualquier tipo, ya sea parcial o total, el uso de dicha copia y/o la transferencia de su contenido, se encuentran prohibidos sin nuestro permiso por escrito.

Las violaciones son susceptibles de reclamos por compensación. Se reservan otros reclamos.

Somos titulares del copyright sobre:

STIEBEL ELTRON Inc.
17 West Street | West Hatfield MA 01088
Tel. 413-247-3380 | Fax 413-247-3369
Email info@stiebel-eltron-usa.com
www.stiebel-eltron-usa.com

En el caso de tener alguna duda sobre la instalación o el uso del calentador de agua, contáctese con nuestro servicio de atención al cliente. Tel. (EE.UU.) 800-582-8423 o 413-247-3380.

Accelera® 300 Guía de encendido rápido

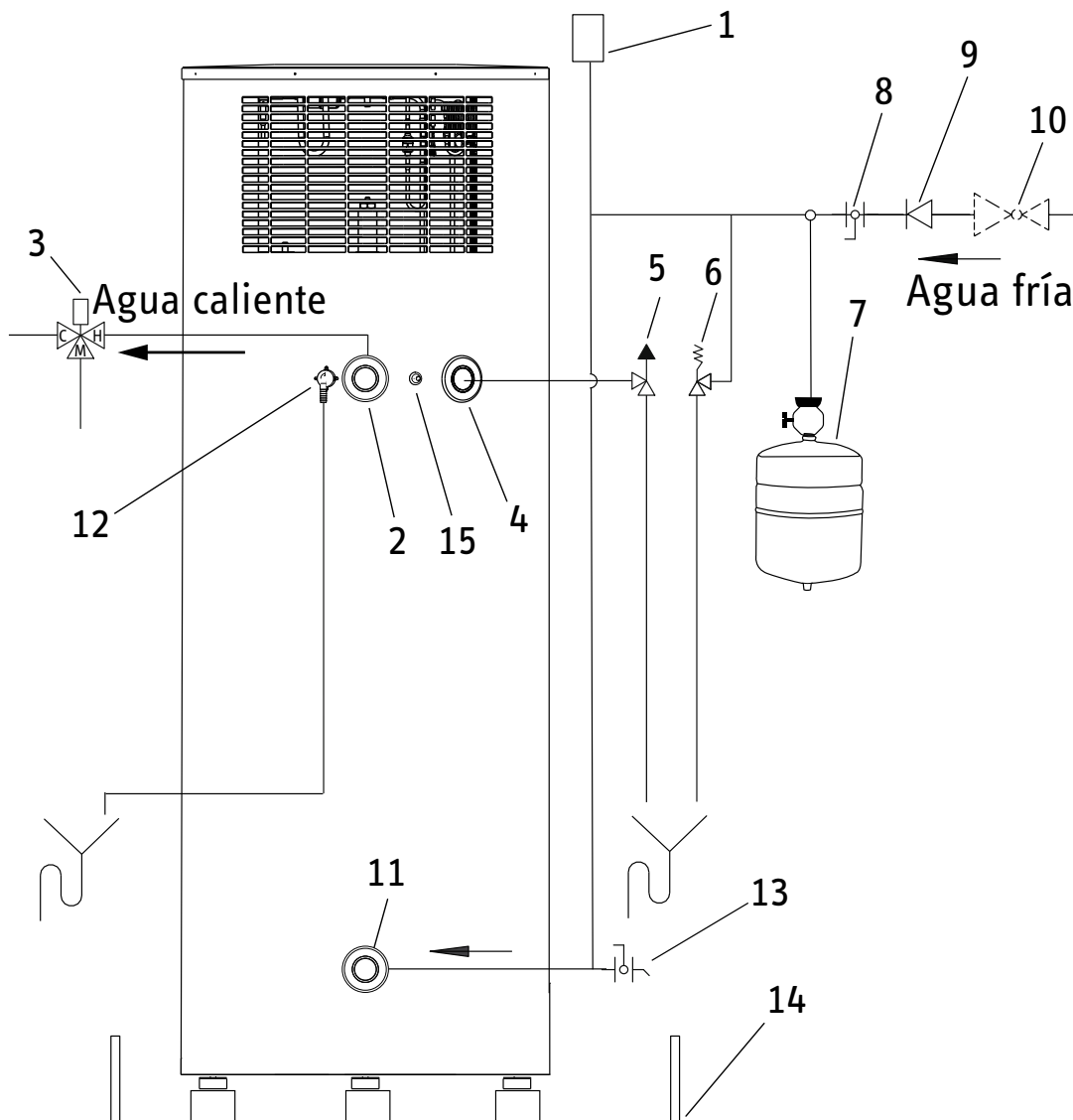
- A. **ASPECTOS GENERALES:** Este calentador de agua se conecta como cualquier otro calentador de agua eléctrico, salvo algunas excepciones pequeñas. Cerciorarse de que se cumplan todos los códigos estatales y locales durante la instalación. Esta página no debe interpretarse como un sustituto del manual de instalación. Cerciorarse de que se cumplan todas las precauciones de seguridad.
- B. **DESEMBALAJE:** NO desembalar la unidad del calentador de agua hasta no haberla ubicado donde se va a instalar. Seguir todas las instrucciones del manual y cerciorarse de tener precaución, ya que la unidad es demasiado pesada. NO sacudir ni inclinar la unidad pasando los 45 grados sobre la carretilla de carga. **Ver: 10.6**
- C. **INSTALACIÓN / AGUA:**
- a. Ubicación: Escoger una ubicación adecuada según el manual. A continuación, instalar el codo de drenaje de condensado. Cerciorarse de que los conductos de ventilación se encuentren paralelos a la pared y que el ventilador mire hacia la parte con mayor espacio libre de la pared. Por favor, tener en cuenta que se recomienda el uso de una bandeja de drenaje de condensado. **Ver: 10.6**
- b. Se proporciona una entrada de 3/4 pulgadas desde las uniones. Para conectarla, se deben respetar los códigos estatales y locales sobre las válvulas de retención, los depósitos de expansión, las válvulas de cierre, los calibres, etc. Instalar una válvula de reducción de presión de 70 psi. Por favor, tener en cuenta que la presión de agua no puede superar los 0,48 MPa (70 psi). **Ver: 10.7**
- c. Conectar una salida de 3/4 pulgadas desde las uniones a la toma de agua caliente.
- d. Instalar la válvula de escape de T&P (brindada). Tener en cuenta: 0,69 MPa / 99°C (100 psi / 210°F).
- D. **DRENAJE DE CONDENSADO:** El drenaje de condensado va directamente a un drenaje; de lo contrario, utilizar una bomba de condensado para drenarlo a un lugar adecuado. **Ver: 10.6.1**
- E. **LLENAR Y DESCARGAR EL TANQUE:** Dejar correr agua para cerciorarse de que el tanque esté lleno antes de conectar el suministro de electricidad.
- F. **INSTALACIÓN / ELÉCTRICA:** Utilizar un interruptor de dos polos de 240 voltios / 15 amperios y conectarlo al calentador de agua L1, L2 y toma de tierra. **Ver: 16.2**



A las 5 horas de haberse encendido, el flujo de aire expulsado debería encontrarse aproximadamente a -14,4 °C (6 °F) menos que el del lado de la entrada.



PRECAUCIÓN: existe el riesgo de quemaduras por agua hirviendo. Existe el riesgo de quemaduras por agua hirviendo ya que la temperatura del agua que sale puede ser superior a los 43 °C (110°F). Existe el riesgo de quemaduras por agua hirviendo

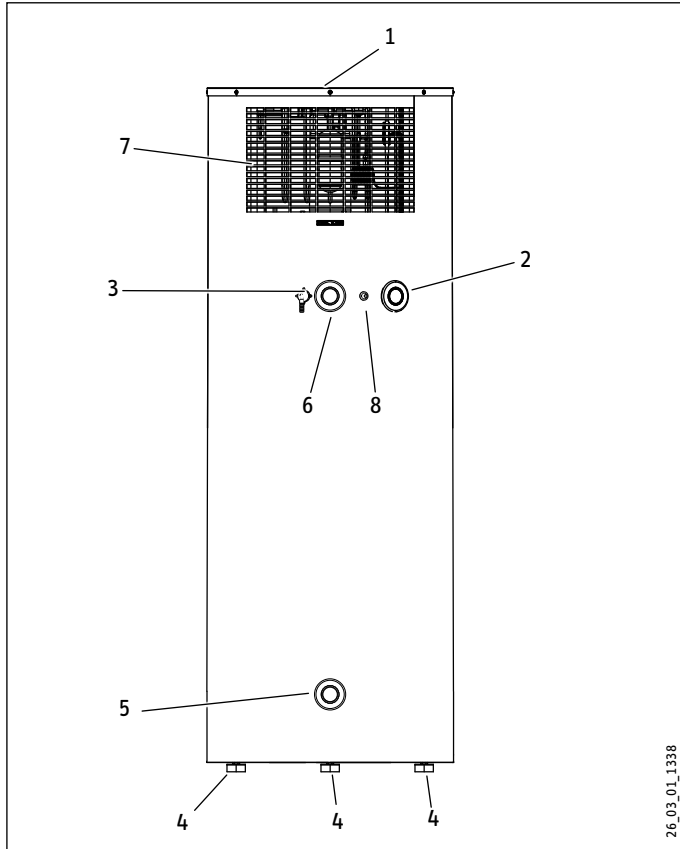


- 1 Igualador de presión
- 2 Conexión del agua caliente (adaptador para la unión de 3/4 pulgadas)
- 3 Válvula mezcladora (provista por el instalador)
- 4 Conexión para la válvula de T&P de 3/4 pulgadas
- 5 Válvula de T&P de 3/4 pulgadas, 0,69 MPa a 99°C (100 psi a 210°F) (suministrada con la unidad)
- 6 Válvula de escape de 0,551 MPa (80 psi) (opcional, provista por el instalador)
- 7 Tanque de expansión (provisto por el instalador)
- 8 Válvula de cierre directo (provista por el instalador)
- 9 Válvula de retención (provista por el instalador)
- 10 Válvula de reducción de presión de 0,48 MPa (70 psi) (provista por el instalador)
- 11 Conexión de agua fría (más adaptador para la unión de 3/4 pulgadas)
- 12 Drenaje de condensado (codo incluido con la unidad)
- 13 Válvula de drenaje (provista por el instalador)
- 14 Bandeja de drenaje (provista por el instalador)
- 15 Excedente de condensado

INFORMACIÓN GENERAL	32	12.3. Reinicio	51
GUÍA DE ENCENDIDO RÁPIDO	32	13. Configuración	51
FUNCIONAMIENTO	35	13.1. Ajuste de la temperatura del agua	51
1. Funcionamiento, aspectos generales	35	14. Entrega del calentador	51
2. Información general	35	15. Resolución de problemas	51
2.1. Información para comprender los símbolos	35	15.1. Equipo de seguridad del calentador	51
3. Seguridad	39	15.2. Resolución de problemas	52
3.1. Instrucciones generales de seguridad	39	16. Mantenimiento y limpieza	52
3.2. Uso correcto	39	16.1. Limpieza del evaporador	53
3.3. Uso incorrecto	39	16.2. Drenaje del tanque	53
3.4. Calificación del personal	39	16.3. Barra de ánodo de sacrificio	53
3.5. Equipo de seguridad	39	16.4. Limpieza del depósito de cal	54
3.6. Riesgos específicos	39	16.5. Revisión de las válvulas	54
4. Descripción del calentador de agua	40	17. Especificaciones	55
4.1. Descripción de las funciones	40	17.1. Conexiones y medidas	56
5. Uso	40	17.2. Diagrama del cableado	57
5.1. Encendido inicial realizado por un instalador autorizado	40	17.3. Diagrama de la refrigeración	58
5.2. Encendido y apagado	41	17.4. Información técnica	59
5.3. Apagado de emergencia	41	MEDIOAMBIENTE Y RECICLAJE	59
6. Cuidado y mantenimiento	41	GARANTÍA	60
6.1. Limpieza del depósito de cal	41		
7. Qué hacer si...	41		
7.1. ...el calentador no calienta el agua	41		
7.2. ...gotea la válvula de seguridad del suministro de agua fría	41		
7.3. ...gotea el drenaje de condensado	41		
7.4. ...el consumo de electricidad es muy elevado	41		
7.5. ...la temperatura del ambiente desciende de forma excesiva	41		
7.6. ...ocurre otra falla	41		
8. Seguridad	42		
8.1. Instrucciones generales de seguridad	42		
8.2. Uso incorrecto	42		
8.3. Calificaciones	42		
8.4. Instrucciones, normas y reglas	42		
8.5. Instalación del agua	42		
8.6. Instalación eléctrica	43		
9. Descripción del calentador de agua	43		
9.1. Entrega común	43		
9.2. Accesorios especiales	43		
10. Transporte	43		
10.1. Transporte en posición horizontal	44		
11. Instalación	44		
11.1. Ubicación de la instalación	44		
11.2. Inspección del estado del calentador luego del traslado marítimo	44		
11.3. Manejo	44		
11.4. Almacenamiento	45		
11.5. Posicionamiento del calentador	45		
11.6. Desembalaje del calentador	45		
11.7. Quitar el bloqueo de transporte	47		
11.8. Drenaje de condensado	48		
11.9. Conexión del agua	48		
11.10. Suministro de electricidad: 240V/ interruptor de dos polos 15 A	49		
12. Encendido inicial	51		
12.1. Encendido inicial	51		
12.2. Apagado	51		

1. Funcionamiento, aspectos generales

Parte delantera del calentador de agua



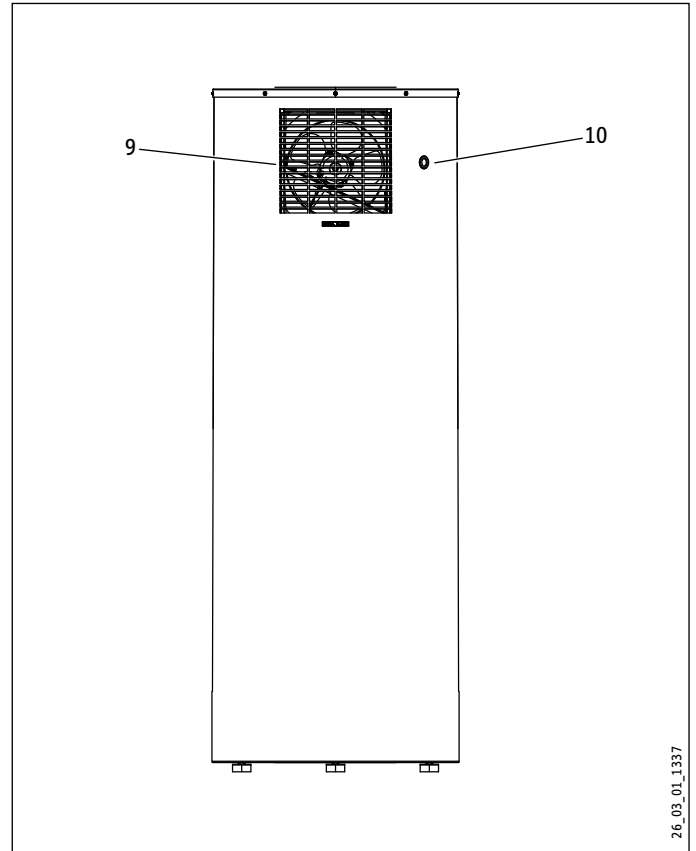
- 1 Cubierta del calentador de agua
- 2 Apertura de la válvula de P&T
- 3 Drenaje de condensado
- 4 Patas de nivelación
- 5 Entrada de agua fría
- 6 Salida de agua caliente
- 7 Entrada de aire
- 8 Excedente de condensado

El calentador de agua extrae el calor del aire del ambiente y utiliza esta energía para calentar el agua.

El calentador de agua cuenta con un tanque de agua de 80 galones [300 litros]. El exterior del tanque de agua está aislado con espuma de poliuretano para evitar la pérdida de calor. El revestimiento del calentador está hecho de láminas de acero recubiertas con pintura electrostática.

El tanque de agua, esmaltado en su interior, se apoya sobre tres patas niveladoras anti-vibración y de altura ajustable.

Parte trasera del calentador de agua



- 9 Descarga de aire
- 10 Entrada del cable eléctrico

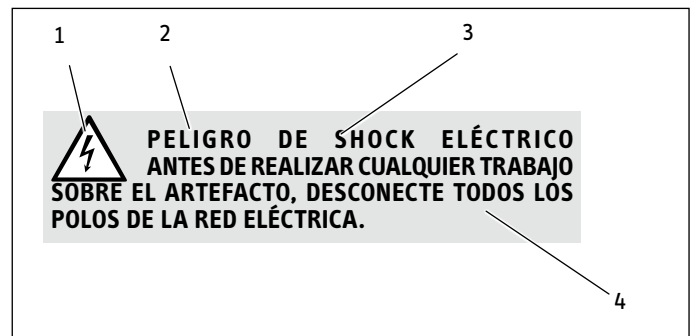
2. Información general

El capítulo **Funcionamiento** está destinado para usuarios e instaladores autorizados.

El capítulo **Instalación** está destinado solo para instaladores autorizados.

2.1 Información para comprender los símbolos

2.1.1 Disposición de la información de seguridad










- 1 Símbolo (ver capítulo "Símbolos")
- 2 Palabra clave (ver capítulo "Palabras claves")
- 3 Designations (see chapter "Symbols")
- 4 Texto informativo

OPERACIÓN

INFORMACIÓN GENERAL


2.1.2 Símbolos

Símbolo	Descripción
	Lesiones
	Electrocución
	Quemaduras por agua hirviendo o por otros factores
	Otras situaciones
	Fuego
	Explosión
	Eliminación del calentador de agua

2.1.3 Palabras claves


PALABRA CLAVE	
PELIGRO	La palabra clave PELIGRO indica la información que se debe obedecer; de lo contrario se ocasionarán lesiones graves o la muerte.
ADVERTENCIA	La palabra clave ADVERTENCIA indica la información que se debe obedecer; de lo contrario se podrán ocasionar lesiones graves o la muerte.
PRECAUCIÓN	La palabra clave PRECAUCIÓN indica la información que se debe obedecer; de lo contrario se podrán ocasionar lesiones relativamente graves o leves.

2.1.4 Símbolos presentes en este documento

 Lea el texto seguido a este símbolo con detenimiento.

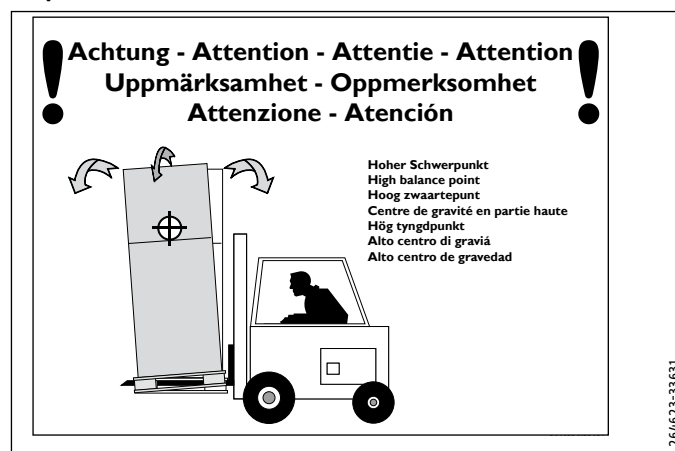
- » Los textos en los que se encuentra el símbolo "»" indican que se debe realizar una acción, la cual se describe paso a paso.
- Los textos en los que se encuentra el símbolo "-" indican listas.

2.1.5 Unidades de medida presentes en este documento

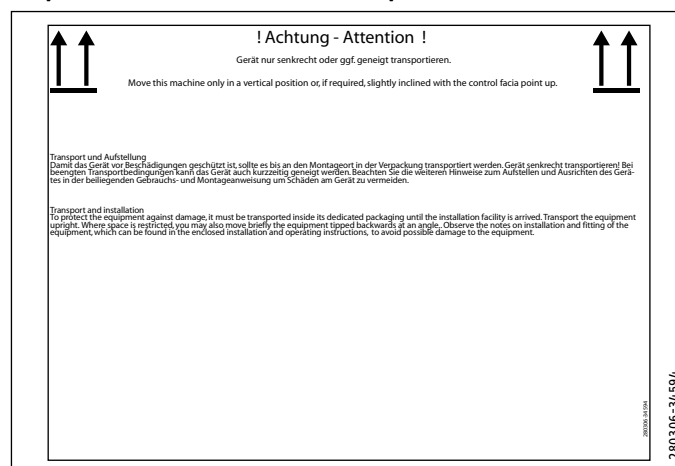
 En este documento, las medidas se encuentran en milímetros (pulgadas).

2.1.6 Información del paquete

Etiqueta informativa "Peso excesivo"



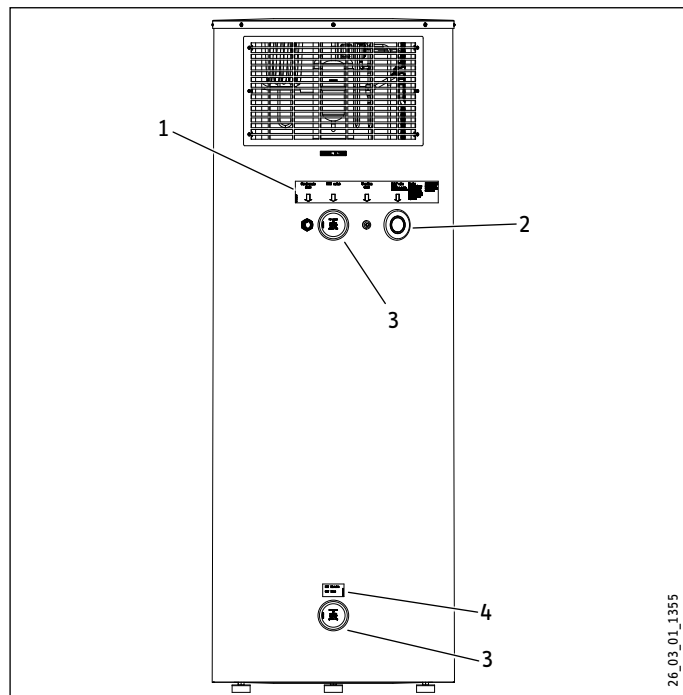
Etiqueta informativa "Trasladar en posición vertical"



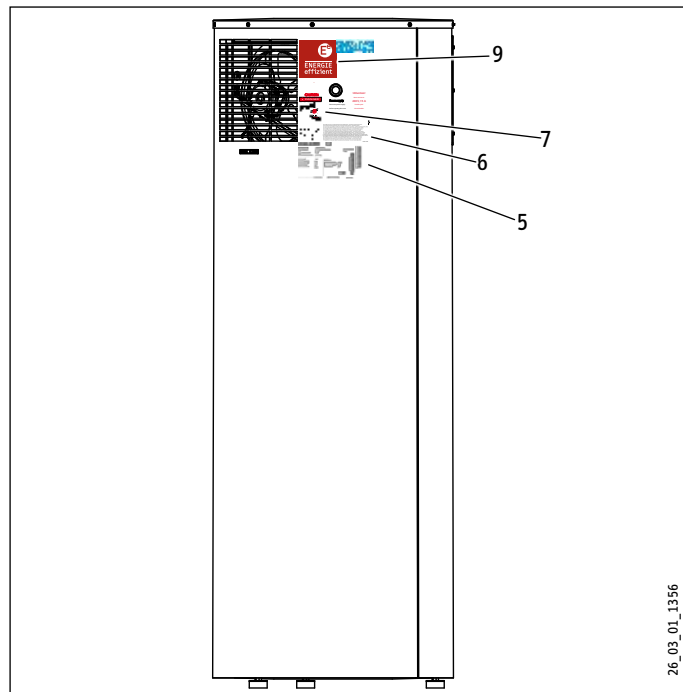
OPERACIÓN

INFORMACIÓN GENERAL

2.1.7 Información que figura en el calentador de agua



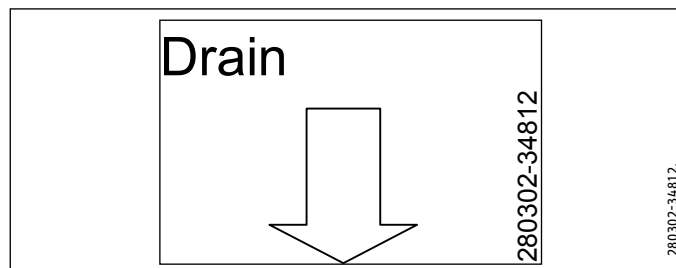
- 1 Etiqueta de información general
- 2 Etiqueta informativa “Válvula de escape”
- 3 Etiqueta informativa “Conexión”
- 4 Etiqueta informativa “Entrada de agua fría”



- 5 Tipo de placa
- 6 Etiqueta informativa “Conexión eléctrica”
- 7 Etiqueta informativa “Gases Fluorados”
- 8 Etiqueta informativa “Riesgo de quemadura por agua hirviendo”
- 9 Etiqueta informativa “Consumo de electricidad eficiente”

1 Etiqueta informativa “Drenaje de condensado”

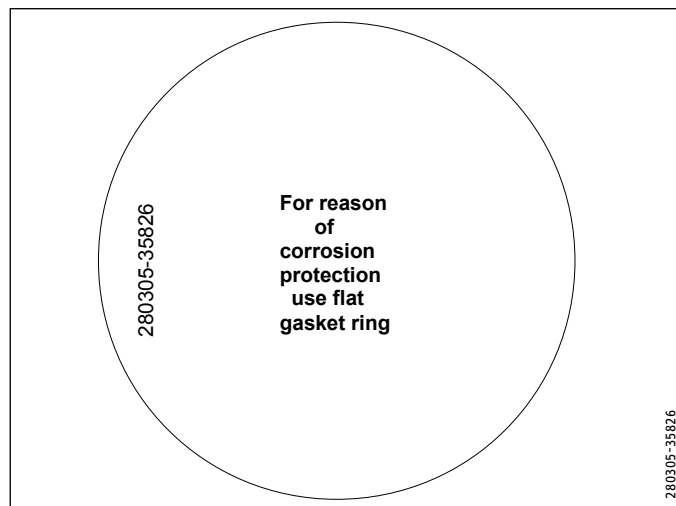
Esta etiqueta muestra dónde se encuentra el drenaje del calentador.



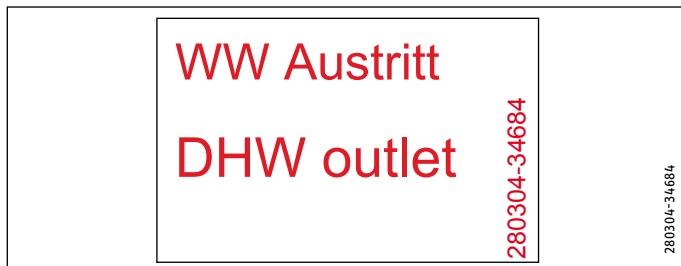
2 Etiqueta informativa “Riesgo de quemaduras por agua hirviendo”



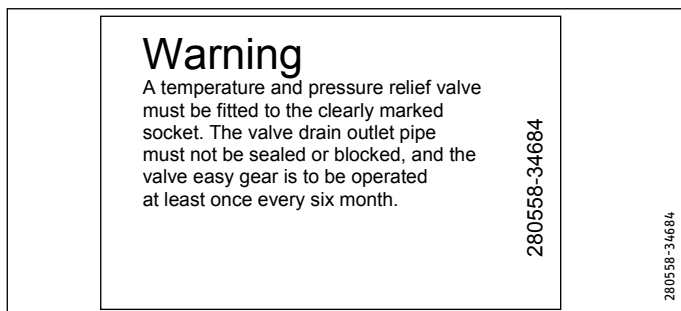
3 Etiqueta informativa “Conexión”



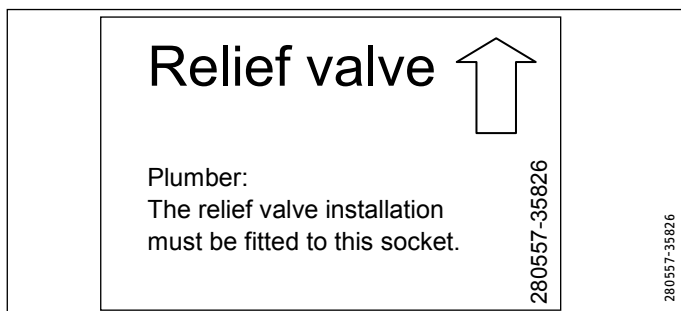
4 Etiqueta informativa “Salida de agua caliente”



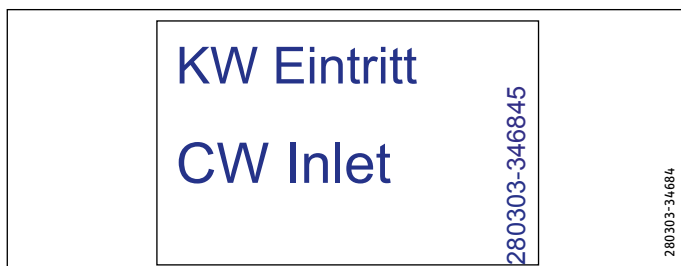
5 Etiqueta informativa “Válvula de escape”



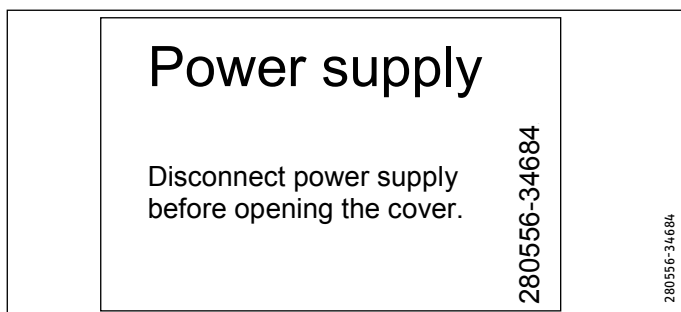
6 Etiqueta informativa “Ubicación de la válvula de escape durante su instalación”



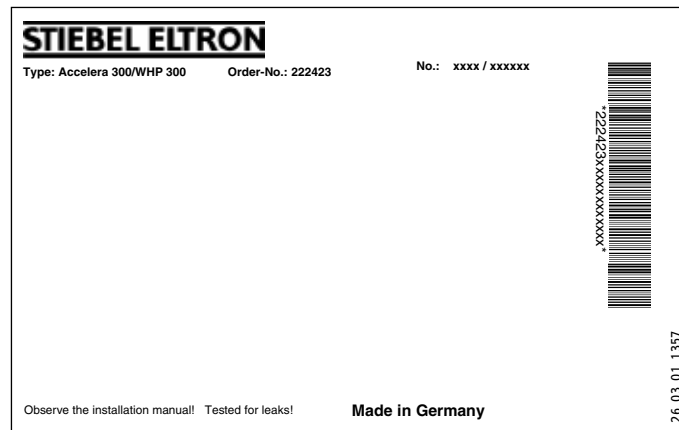
7 Etiqueta informativa “Entrada de agua fría”



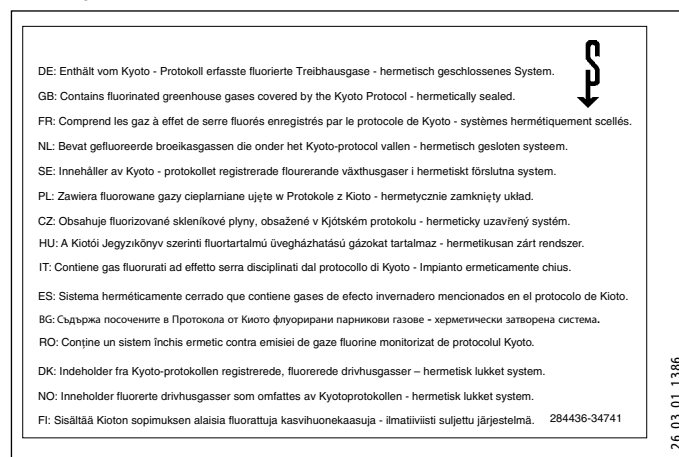
8 Etiqueta informativa “Conexión eléctrica”



9 Tipo de placa



10 Etiqueta informativa “Gases Fluorados”



11 Etiqueta informativa “Consumo de electricidad eficiente”



Mantener legibles todas las etiquetas informativas. La ilegibilidad de la información y los símbolos de seguridad podrían ocasionar situaciones peligrosas.

3. Seguridad

Este capítulo da un vistazo general de todas las medidas importantes que hay que tomar para el uso seguro y sin inconvenientes del calentador.

3.1 Instrucciones generales de seguridad

Utilizar el calentador de agua una vez que se encuentre completamente instalado y cuente con todo el equipo de seguridad debidamente colocado.

El uso inadecuado de herramientas o el manejo incorrecto puede producirle daños al calentador.



PELIGRO Quemaduras por agua hirviendo

El agua se calienta dentro del tanque de agua hasta alcanzar los 60°C (140°F). Existe el riesgo de quemaduras por agua hirviendo, ya que la temperatura del agua que sale puede ser superior a los 43°C (109°F).

- » Cerciorarse de que la salida del agua no alcance el cuerpo.



PRECAUCIÓN Lesiones

Si menores o personas con capacidades físicas, sensoriales o mentales limitadas tienen permitido controlar el calentador, cerciorarse de que solo lo hagan bajo supervisión o luego de que una persona responsable de su seguridad los haya instruido de forma adecuada.

- » Se debe supervisar a los menores para cerciorarse de que no jueguen con el calentador.



No apoyar objetos sobre el calentador.

Los objetos apoyados sobre el calentador pueden aumentar el nivel de ruido que producen las vibraciones del calentador.



No cubra el calentador.

El calentador extrae aire del ambiente, al cubrir las ranuras por las que entra, se reduce su cantidad. De esta manera, se disminuye la eficacia del calentador y puede ocurrir que uno de los dispositivos de seguridad interrumpa el funcionamiento del calentador.

3.2 Uso correcto

El calentador calienta el agua automáticamente.

Se lo puede instalar y utilizar en espacios exteriores o interiores. La temperatura del aire que extrae no debe ser inferior a los 6°C (43°F).

Cualquier otro uso que se le dé que difiera del estipulado, se considerará inadecuado. El cumplimiento de estas instrucciones también forma parte del uso correcto del calentador.

Cualquier alteración o modificación que se realice al calentador tornará nulos todos los derechos de la garantía.

3.3 Uso incorrecto

- Los siguientes usos no están permitidos:
- No calentar otro líquido que no sea agua potable.
- No permitir que un personal no calificado (ni autorizado) instale el calentador.
- No utilizarlo en un ambiente donde extraiga aire grasoso.



No se debe utilizar el calentador en ambientes con temperaturas superiores a los 42°C (107°F) o inferiores a 6°C (43°F). Si el calentador extrae aire del exterior, cerciorarse de que se encuentre apartado del suministro de electricidad cuando la temperatura del aire sea inferior a los 6°C (43°F).

3.4 Calificación del personal



PELIGRO Lesiones

El manejo indebido del calentador puede ocasionar lesiones graves y daños al material. El personal no calificado no puede evaluar la posibilidad de riesgo. Cerciorarse de que los técnicos calificados especificados en los capítulos pertinentes lleven a cabo la instalación, el encendido, el mantenimiento y las reparaciones.

En el resto del manual, se llamará a estos técnicos "instaladores autorizados".

3.5 Equipo de seguridad

Utilizar calzado de seguridad durante el traslado y la ubicación del calentador de agua. En seco, este calentador de agua pesa 130 kg (290 lb). El calzado de seguridad reduce el riesgo de lesiones.

3.6 Riesgos específicos

3.6.1 Corriente eléctrica



ADVERTENCIA Descargas eléctricas

El contacto con partes que conducen electricidad pone en riesgo la vida. Dañar el aislante térmico o las piezas individuales puede poner en riesgo la vida.

- » Si se detectan daños en el aislante, cortar el suministro de electricidad inmediatamente y solicitar la reparación de esta.
- » Cerciorarse de que todo el trabajo relacionado con la electricidad sea llevado a cabo por un electricista calificado.

3.6.2 Superficies calientes



PRECAUCIÓN Quemaduras

El contacto con las piezas calientes puede causar quemaduras.

- » Si se trabaja cerca de las piezas calientes, utilizar prendas y guantes de protección.
- » Las tuberías conectadas a la salida de agua caliente del calentador pueden alcanzar temperaturas superiores a los 60°C (140°F).

3.6.3 Refrigerante

En la fábrica se rellena el calentador con refrigerante R134A.



ADVERTENCIA Quemaduras por congelación

En el caso de que el calentador pierda refrigerante, evitar el contacto o la inhalación de los vapores emanados. Ventilar el ambiente de forma inmediata.

Cuando el calentador funciona en condiciones normales, el refrigerante está contenido dentro de un circuito sellado.

4. Descripción del calentador de agua

El calentador genera agua caliente de forma automática. Cuenta con una capacidad aproximada de 303 litros (80 galones). La temperatura del agua caliente está predeterminada de fábrica para alcanzar los 60°C (140°F).

Al abrir la llave del agua caliente, esta sale del calentador empujada por el flujo entrante de agua fría.

El calentador funciona como un aire acondicionado, pero no precisa que se ventile. Utiliza el calor del ambiente para calentar el agua. El consumo de electricidad y el tiempo que lleva calentar el agua dependen de la temperatura del ambiente y la humedad.

Al instalar el calentador en un lugar cerrado, la temperatura de dicho sector disminuirá durante dicha actividad de 1 a 3°C (de 2 a 6°F).

Asimismo, el calentador extrae la humedad del aire y genera condensado, el cual debe drenarse. Por este motivo, se incorpora un drenaje de condensado al calentador de agua. Allí se puede conectar una manguera al drenaje.

Para proteger el tanque de acero de la corrosión, el interior está revestido con un esmalte especial y está equipado con un ánodo de sacrificio reemplazable.

Funcionamiento de la bomba eléctrica de calor:

Un circuito sellado en el interior del calentador contiene el refrigerante R134A (ver "Especificaciones/tabla de datos"). Este refrigerante no daña la capa de ozono, no es inflamable y se evapora a temperaturas bajas.

El refrigerante cambia de su estado líquido a gaseoso en el evaporador, donde se extrae el calor del ambiente. El compresor absorbe el gas e incrementa su presión. A medida que aumenta la presión, sube la temperatura del refrigerante. De esta manera, se calienta el tanque de agua.

Este proceso requiere energía eléctrica. La electricidad (la potencia del motor) no se pierde, se combina con el condensador y el refrigerante comprimido. En esta instancia, el gas transfiere su calor al tanque de agua. Entonces, la válvula de expansión reduce la presión y el proceso comienza de nuevo.

4.1 Descripción de las funciones

4.1.1 Funcionamiento de la bomba eléctrica de calor

La bomba eléctrica de calor, ubicada en la parte superior del calentador, extrae la energía térmica del ambiente.



Si se interrumpe el suministro de electricidad durante el funcionamiento, el compresor se reiniciará una vez que se equilibre la presión dentro del circuito de refrigeración. Esta se equilibrará luego de 15 minutos.

Tiempo de funcionamiento mínimo y tiempo de inactividad mínimo



El aparato cuenta con conectores de tuberías con tuercas de unión y juntas planas para conectarlo a las tuberías del agua fría y el agua caliente.

- El tiempo de funcionamiento mínimo es de 60 minutos.
- El tiempo de inactividad mínimo tras un apagón es de 20 minutos.
- No debe encenderse y apagarse el aparato más de 10 veces al día.
- El interruptor externo debe tener un poder de corte de mínimo 240 V / 16 A.

4.1.2 Calentador de refuerzo

Ante todo, la bomba eléctrica de calor es la que calienta el agua del tanque.

En caso de que haya una mayor demanda de agua caliente, o de que se haya apagado el calentador, y se necesitara agua caliente a la brevedad, se encenderá por completo el calentador de refuerzo. Con el fin de ahorrar electricidad, el calentador de refuerzo calienta los tres cuartos superiores del tanque (aproximadamente 102 litros (27 galones)).

El termostato enciende el calentador de refuerzo cuando la temperatura del tanque es inferior a los 45°C (112°F). Asimismo, el termostato apaga el calentador de refuerzo cuando la temperatura del tanque es superior a los 60°C (140°F).

4.1.3 Descongelación

Cuando el calentador de agua se utilice mínimamente, la temperatura se mantendrá en los 6°C (42°F). Si esto sucede, es posible que el evaporador se cubra de escarcha. Esto depende de la temperatura del aire y el nivel de humedad, en particular si la temperatura del agua caliente es baja.

El compresor se apaga inmediatamente si la temperatura del evaporador se mantiene por debajo de los -7°C (20°F) durante un tiempo considerable. Si la temperatura de la aleta del evaporador sube por encima de los 3°C (38°F), el compresor se enciende de nuevo y continúa calentándose el agua. El ventilador sigue funcionando durante la descongelación.

5. Uso

No es posible regular la temperatura del agua, ya que el calentador no cuenta con controles. La temperatura del agua caliente está predeterminada de fábrica para alcanzar los 60°C (140°F).

Si se deseara utilizar una configuración diferente, contactar a un instalador autorizado de la zona.



ADVERTENCIA Quemaduras por agua hirviendo

El agua se calienta dentro del tanque hasta alcanzar los 60°C (140°F). Existe el riesgo de quemaduras por agua hirviendo ya que la temperatura del agua que sale puede ser superior a los 42°C (108°F). Cerciorarse de que la salida del agua no alcance el cuerpo.

5.1 Encendido inicial realizado por un instalador autorizado

El encendido inicial debe ser llevado a cabo por un instalador autorizado.

5.2 Encendido y apagado

El calentador no cuenta con un botón de ENCENDIDO/APAGADO. Si al instalar el calentador se utilizó un enchufe para el suministro de electricidad, se puede desenchufarlo. De lo contrario, se puede activar el disyuntor para apagarlo.

5.3 Apagado de emergencia

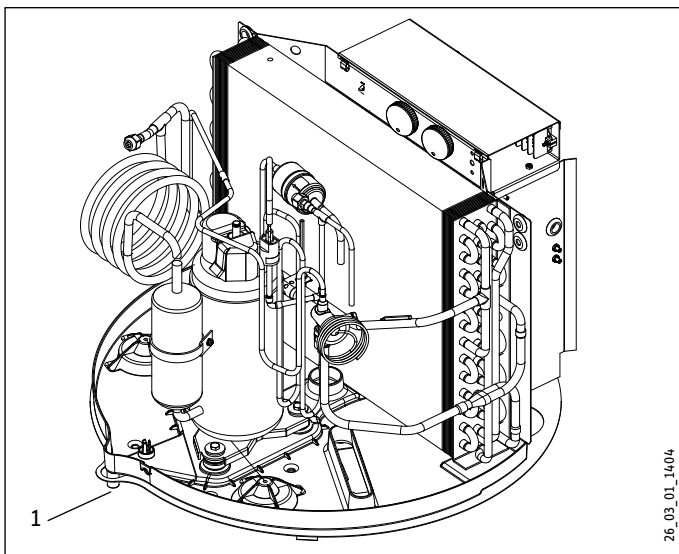
En caso de emergencia, se deben seguir los siguientes pasos:

- » Interrumpir el suministro de energía activando el disyuntor o desenchufando el calentador.
- » Cerrar la entrada de agua fría.

6. Cuidado y mantenimiento

El exterior del calentador se puede limpiar con un trapo húmedo. No se deben utilizar productos de limpieza abrasivos o corrosivos. No se debe limpiar con una manguera.

- » Todos los meses revisar que el drenaje de condensado esté limpio.
- » Todos los meses realizar una inspección visual de la bandeja de drenaje de condensado (ver en el extremo superior del calentador el siguiente diagrama). Mirar por la rejilla de entrada de aire en la parte delantera del calentador. De ser necesario, se deberá informar al instalador autorizado de la zona para que retire cualquier obstrucción presente.



1 Bandeja de drenaje de condensado

6.1 Limpieza del depósito de cal

El agua a altas temperaturas filtra la cal. Luego, esta se deposita en el interior del tanque. Al acumularse los depósitos de cal, la cantidad de agua caliente del tanque disminuye.

- » Por ese motivo, se debe solicitar a un instalador autorizado que retire el depósito de cal de tanto en tanto. De esta forma, se prolonga la vida útil del calentador de refuerzo.
- » El depósito de cal no se acumula sobre la bomba eléctrica de calor.

El instalador autorizado, que conoce la calidad del agua de la zona, indicará cuándo será la próxima inspección de mantenimiento.

- » A su vez, solicitar al instalador que revise el ánodo de sacrificio a menudo.

7. Qué hacer si...

7.1 ...el calentador no calienta el agua

- » Revisar el suministro de electricidad.
- » Revisar la caja de fusibles para ver si se activó un disyuntor.
- » Asegurar que haya un disyuntor de dos polos 15 A.

Si el disyuntor se activó, se debe reiniciar o cambiar. Informar al instalador autorizado si el disyuntor se vuelve a activar.

- » Cerciorarse de que la entrada y salida de aire no estén obstruidas.

El compresor puede estar sobrecargado, ya sea porque la temperatura del ambiente o del aire extraído es demasiado alta (>42°C (108°F)) o porque hay una falla en el circuito de refrigeración. Asimismo, el interruptor de “reinicio automático” para la protección térmica o el de “reinicio manual” por corte de seguridad por el exceso del límite de la temperatura pueden apagar el compresor.



El limitador del nivel de presión alto solo debe ser reiniciado por el instalador autorizado una vez que se haya solucionado la falla pertinente.

Tras un lapso corto de enfriamiento, el interruptor de “reinicio automático” para la protección térmica reiniciará automáticamente el compresor.

Notificar al instalador autorizado si el calentador de agua no se reinicia automáticamente.

7.2 ...gotea la válvula de seguridad del suministro de agua fría

Esta unidad puede funcionar con hasta 0,48 MPa (70 psi) de presión entrante. La expansión durante el calentamiento provoca que gotee el agua de la válvula de seguridad. Esto es completamente normal. Informar al instalador autorizado si el agua sigue goteando una vez finalizado el calentamiento.

7.3 ...gotea el drenaje de condensado

Esto es bastante frecuente y siempre ocurre cuando la temperatura superficial del evaporador es inferior a la temperatura del punto de condensación del ambiente.

7.4 ...el consumo de electricidad es muy elevado

Por favor, consultar con el instalador calificado y autorizado.

7.5 ...la temperatura del ambiente desciende de forma excesiva

El funcionamiento del calentador reduce la temperatura del ambiente de 1 a 3°C (de 2 a 6°F). Informar al instalador autorizado si la temperatura del ambiente baja de manera inusual.

7.6 ...ocurre otra falla

Informar al instalador autorizado de la zona. Consultar por el número del calentador en el tipo de placa junto al código de barras.



1 Número del calentador de agua

8. Seguridad

Solo los instaladores calificados y autorizados deberían realizar la instalación, el encendido inicial, el mantenimiento y la reparación del calentador de agua.

8.1 Instrucciones generales de seguridad

Utilizar únicamente accesorios o repuestos originales para este calentador.



PELIGRO Descargas eléctricas

Antes de instalar el calentador, desconectar el suministro de electricidad.



ADVERTENCIA Lesiones

Si se dañan las tuberías dentro del calentador, la fuga de gas refrigerante puede ocasionar quemaduras físicas por el frío.

No inhalar el refrigerante. Ventilar el ambiente de manera cuidadosa de inmediato.

- » Usar anteojos y guantes protectores durante la instalación del calentador.



ADVERTENCIA Lesiones

Las piezas en movimiento pueden causar lesiones.

- » Cerciorarse de que el ventilador haya dejado de moverse antes de abrir el calentador.

8.2 Uso incorrecto

Los siguientes usos no están permitidos:

- No instalar el calentador sobre pisos que no están contruidos para soportar peso
- No instalar el calentador en lugares donde haya posibilidad de escarcha
- No instalar el calentador en ambientes donde corra riesgo de explotar por polvos, gases o vapores
- No hacer caso omiso de los permisos y las zonas de seguridad
- No instalar la conexión eléctrica de forma incorrecta
- No utilizar el calentador con el tanque vacío
- No utilizar el calentador con la cubierta destapada
- No utilizar el calentador con otro líquido que no sea agua potable
- No utilizar otro refrigerante Freón, solo el R134A

8.3 Calificaciones



ADVERTENCIA Lesiones

El manejo indebido puede ocasionar lesiones graves y daños materiales. El personal no calificado no puede evaluar el peligro inminente. Solamente el personal mencionado en las secciones pertinentes del manual debe realizar las tareas técnicas.

En el manual, se llamará a estos técnicos “instaladores autorizados”.

Los instaladores autorizados son responsables de respetar todas las normas vigentes y relevantes durante la instalación y el encendido inicial.

8.3.1 Instaladores autorizados

Los instaladores autorizados están capacitados en su área. Trabajan de acuerdo con su capacitación, conocimiento y experiencia, así como con su conocimiento de las normas y reglas relevantes. Están capacitados para reconocer y prevenir los problemas posibles.

8.3.2 Electricista (autorizado)

El electricista es un instalador autorizado que obedece los requisitos antes mencionados para las instalaciones eléctricas.

8.3.3 Plomero (autorizado)

El plomero es un instalador autorizado que obedece los requisitos antes mencionados para las instalaciones relacionadas al suministro de agua.

8.3.4 Servicio de atención al cliente

Para consultas sobre el servicio, por favor contactarse con Stiebel Eltron, línea directa 1-800-582-8423, interno 25 ó 33.

8.4 Instrucciones, normas y reglas



Obedecer todos los códigos nacionales, estatales y locales.

Obedecer las reglas de las empresas de servicios públicos de electricidad y agua de la zona.

Se tomaron en cuenta las siguientes normas:

UL 499, UL 1995, UL 94-5 VA, UL 174

IEC 60335-1-2-40, IEC 61000-3-2; 1995

IEC 61000-3-3, IEC 55014-1 IEC 55014-2

EMC Directiva 89/336/EEC

EN 255 T3

Leer el tipo de placa del calentador y el capítulo “Especificaciones”.

8.5 Instalación del agua

Se pueden utilizar los siguientes materiales:

- Para la red de agua fría: se pueden utilizar tuberías de acero, cobre o plástico.
- Para la red de agua caliente: se pueden utilizar tuberías de cobre o plástico.
- » Cerciorarse de que no se contamine el calentador por medio de las tuberías.

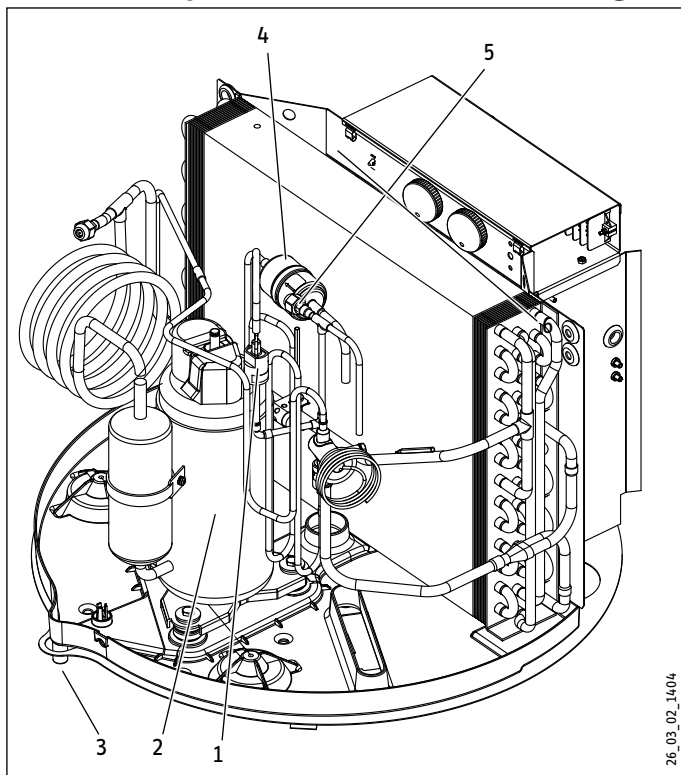
8.6 Instalación eléctrica

Proteger el calentador eléctricamente con un disyuntor de dos polos 15 A.

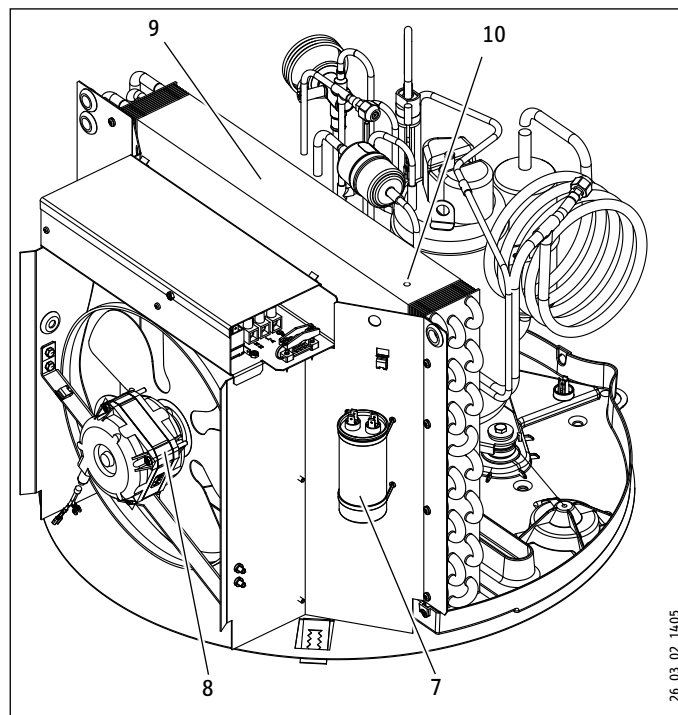
Si el calentador se encuentra constantemente conectado al suministro de electricidad, se debe establecer una manera de separarlo de la red eléctrica. Esto se realiza mediante un aislante adicional que desconecta todos los polos que se encuentren, al menos, a 3 mm (0,12 pulgadas) de separación. Para llevar esto a cabo, se pueden instalar disyuntores, fusibles, etc. en ese lugar.

En el caso de haber una falla, el equipo de seguridad interrumpe el circuito eléctrico pertinente.

9. Descripción del calentador de agua



- 1 Corte de seguridad por exceso del límite de presión - reinicio manual
- 2 Compresor
- 3 Drenaje de condensado
- 4 Filtro secador
- 5 Válvula de servicio de alta presión
- 6 Ánodo de sacrificio



- 7 Condensador
- 8 Ventilador
- 9 Evaporador
- 10 Sensor de descongelamiento



El termostato del agua caliente está predeterminado de fábrica.

Si los usuarios requieren que la temperatura del agua caliente sea más baja, se puede modificar la configuración del termostato de la bomba eléctrica de calor y el calentador de refuerzo para disminuir la temperatura.

Se instala una barra de ánodo de sacrificio en la parte superior del calentador. (6)

9.1 Entrega común

- Calentador de agua con bomba eléctrica de calor Accelera® 300
- Dos adaptadores para uniones de 3/4" pulgadas
- Dos juntas para uniones
- Codo de drenaje de condensado
- Dos tapones de cobre
- Válvula de alivio de temperatura y presión, 100 psi

9.2 Accesorios especiales

Descripción	Número de la pieza
Varilla de ánodo	278235
Varilla de ánodo segmentada	143498

10. Transport



Es vital que se sigan las siguientes recomendaciones para garantizar un transporte seguro del aparato.



Recomendamos que el aparato se transporte en posición vertical.

- » Durante el transporte, mantenga el aparato en su embalaje para protegerlo de posibles daños.
- » Transporte el aparato en posición vertical.

10.1 Transporte en posición horizontal

El aparato también puede transportarse en posición horizontal en distancias cortas y por carreteras bien asfaltadas. Siga las siguientes recomendaciones:

- Asegúrese de que no se ejerce ninguna presión sobre el paquete.
- Nunca coloque otros aparatos u objetos sobre el paquete, aun embalados.

10.1.1 Posición del lado con la entrada de aire

El lado del aparato con la entrada de aire está identificado en el embalaje con una etiqueta.

- » Si está transportando el aparato en posición horizontal, asegúrese de que el lado con la entrada de aire está colocado boca abajo.

11. Instalación



PRECAUCIÓN Lesiones

Se pueden ocasionar lesiones graves y pérdidas materiales si se instala el calentador de manera incorrecta.

Antes de instalarlo, cerciorarse de que haya espacio suficiente para poder trabajar. Manejar las piezas de puntas filosas con cuidado.



El revestimiento de lámina de acero del calentador no está diseñado para soportar presiones fuertes. Manejar e instalar el calentador con cuidado.

11.1 Ubicación de la instalación



PELIGRO Explosión

No instalar el calentador en ambientes donde corra el riesgo de explotar por polvos, gases o vapores.



PRECAUCIÓN Lesiones

El calentador se debe instalar en un ambiente donde el piso esté preparado para soportar peso. Existe el riesgo de que el calentador rompa el piso si este no está construido para soportar peso. Cuando está lleno el tanque de agua, el calentador pesa aproximadamente 430 kg (950 lb).

Si el piso no está construido para soportar peso, existe el riesgo de que el calentador rompa el piso, poniendo en riesgo la vida.



Riesgo de daños por escarcha

El calentador solo se debe instalar en áreas donde no haya riesgo de escarcha. Cuando el calentador no se utiliza y corre riesgo de escarcha, el agua dentro del tanque se puede congelar y puede dañar el calentador.

- No instalar el calentador en áreas donde la temperatura del aire se encuentre, a menudo, por debajo de los 6°C (42°F) o por arriba de los 42°C (108°F).
- Con el fin de evitar las molestias por el ruido, no instalar el calentador en el sector de los dormitorios, ni donde pueda molestar a los vecinos.
- Cerciorarse de ubicar el calentador en un lugar donde haya espacio suficiente para la instalación, el mantenimiento y la limpieza.

En cuanto a las instalaciones en interiores, tener en cuenta lo siguiente:

- El área del piso donde se lo va a instalar debe medir al menos 6 m² (10 pies x 10 pies - 100 pies²). El volumen del sector no debe ser menor a 13 m³ (500 pies³).
- El calentador no debe estar restringido por paredes o techos. El espacio mínimo requerido está especificado en el capítulo "Posicionamiento del calentador/condiciones de la instalación" (ver capítulo 10.5, "Posicionamiento del calentador").
- Tener en cuenta que la temperatura del sector descenderá entre 1 y 3°C (2 y 6°F) por el funcionamiento del calentador.
- Si el calentador se va a instalar en un ambiente con caldera, cerciorarse de que no afecte el funcionamiento de esta.
- Con el fin de que las redes de suministro de agua no queden lejos del calentador, se recomienda instalarlo cerca de la cocina o el baño.

11.2 Inspección del estado del calentador luego del traslado marítimo

- » Al momento de recibir el calentador, revisar que la entrega esté completa y que no se haya dañado durante el traslado.

Si se encuentran daños ocasionados durante el traslado, proceder de la siguiente manera:

- No aceptar la entrega, o aceptarla si cuenta con las observaciones sobre su estado.
- Detallar los daños en la documentación del traslado marítimo o en las notas de entrega del transportista.
- Realizar un reclamo.



Informar los daños de manera inmediata, no bien se los encuentra.

Los reclamos se aceptarán únicamente dentro del plazo correspondiente.

11.3 Manejo



PRECAUCIÓN Lesiones ocasionadas por cargas pesadas

Cuando el calentador se encuentra vacío tiene un peso de 130 kg (290 lb). Servirse de la ayuda y el personal necesario para poder manejarlo.



Riesgo de daños por el manejo incorrecto.
El manejo incorrecto del calentador puede provocar considerables pérdidas materiales. Proceder de acuerdo con la información que figura en el embalaje. Retirar el embalaje al momento de la instalación.



Riesgo de daños ocasionados por vuelco.
El calentador posee un centro de gravitación alto y puede volcarse. Evitar que se vuelque. Ubicar el calentador únicamente en un piso nivelado.

El calentador se debe transportar en posición vertical dentro de su embalaje para evitar que se dañe.

Si el espacio es limitado, se puede inclinar el calentador brevemente para poder moverlo (máx. 45°).

11.4 Almacenamiento

En caso de que sea necesario guardar el calentador por un período largo antes de instalarlo, se debe tener en cuenta lo siguiente:

- Si es posible, guardar el calentador en un ambiente seco y sin polvo.
- Evitar que esté en contacto con materiales abrasivos.
- Evitar que esté expuesto a sacudidas y vibraciones.
- Si debe permanecer guardado durante mucho tiempo, revisar su estado y el de su embalaje con regularidad.

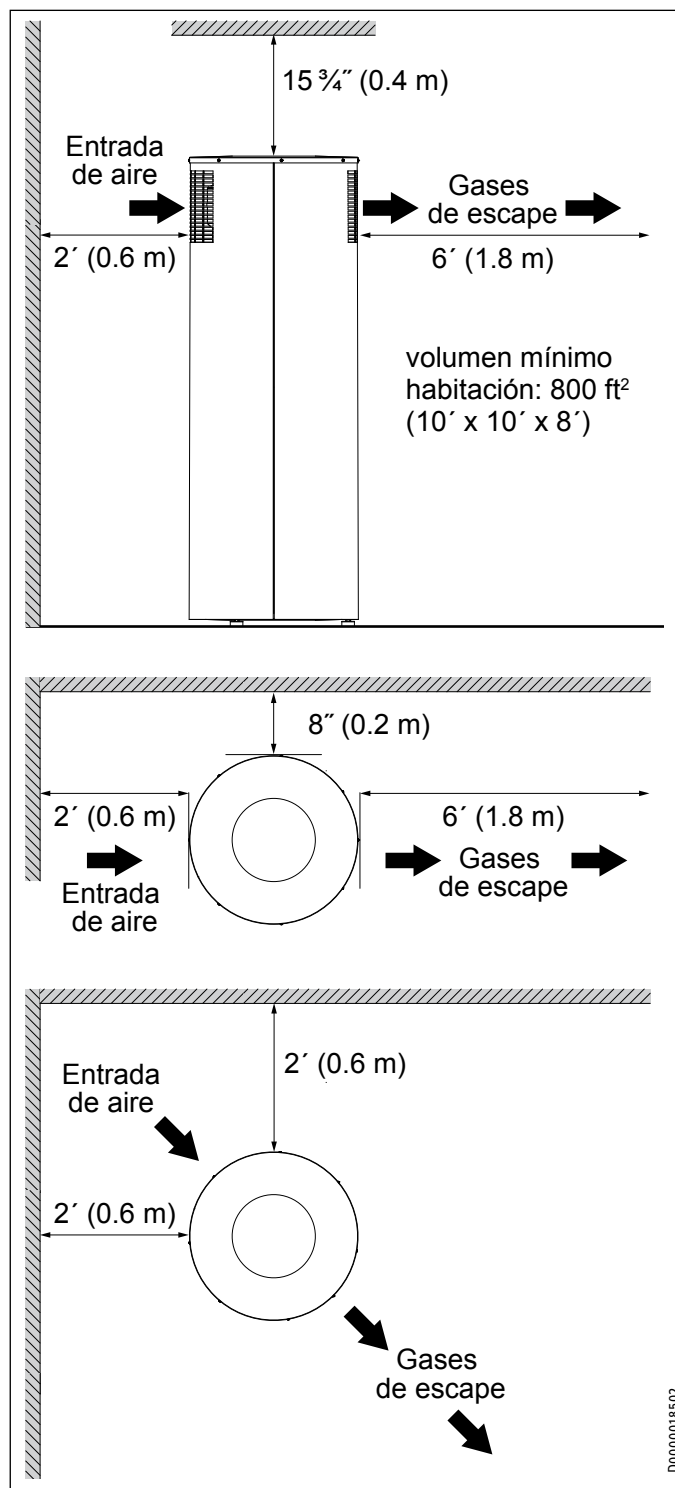
11.5 Posicionamiento del calentador

» Posicionar el calentador con su plataforma de madera en el lugar donde se va a instalar.

Instalar el calentador procurando dejar suficiente espacio libre alrededor de las entradas de aire (ver los siguientes diagramas).

11.5.1 Condiciones para la instalación

Es importante dejar suficiente espacio libre arriba del calentador para poder llevar a cabo tareas de mantenimiento.



» Ajustar las patas del calentador para nivelarlo de manera horizontal.

11.6 Desembalaje del calentador



Cerciorarse de que la parte más baja del revestimiento del calentador no esté dañada.

INSTALACIÓN

INSTALACIÓN



Consejo - Cuanto más tiempo se deje el embalaje de papel aluminio del calentador, más tiempo permanecerá protegido de todo daño.

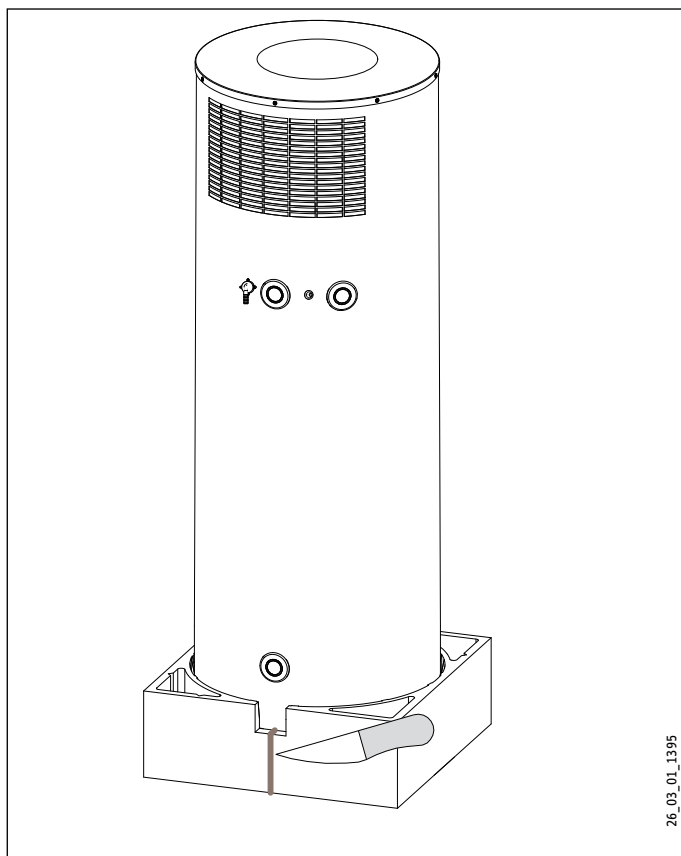
- » Retirar las cintas del embalaje.
- » Tirar del embalaje hacia arriba para descubrir la plataforma.
- » Retirar con cuidado el calentador con el embalaje de poliestireno® de la plataforma.



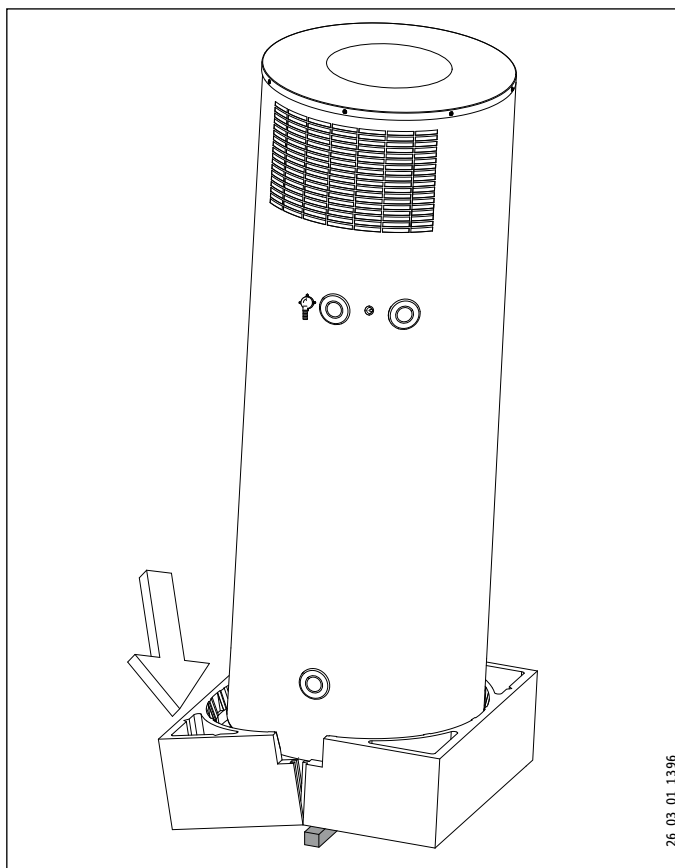
PELIGRO Lesiones provocadas por el vuelco del calentador

El calentador tiene un centro de gravedad alto y puede volcarse. Cerciorarse de que no se vuelque cuando se lo retira de la plataforma.

- » Tirar del embalaje hacia arriba para poder quitar el primer costado del poliestireno®. Este se utilizará como ayuda para la instalación en los siguientes pasos.



- » Cortar la parte baja del embalaje por la línea divisoria. Para lograrlo, hacer una incisión de aproximadamente 30 mm (1,25 pulgadas) en ambos lados de la línea divisoria.

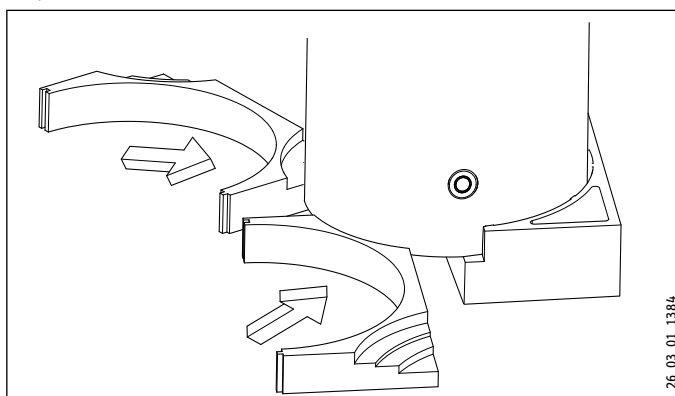


- » Inclinar ligeramente el calentador.

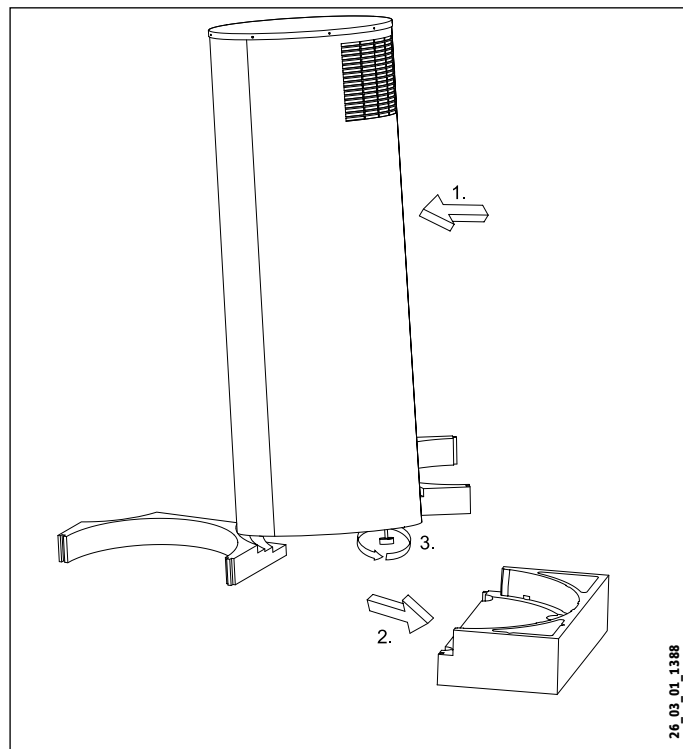


PELIGRO Lesiones por el vuelco del calentador
Sostener el calentador con la ayuda de otra persona para asegurar que no se vuelque.

- » Apretar el soporte de madera que se encuentra debajo de la parte inferior del embalaje.
- » Separar la mitad suelta del revestimiento de la parte inferior del embalaje.
- » Mantener el calentador ligeramente inclinado.
- » Desenroscar la pata niveladora que está libre, pero no más de 30 mm (1,1 pulgada).
- » Enroscar la tuerca de cierre de la pata niveladora hacia la cubierta inferior del calentador. Cerciorarse de que la tuerca quede apretada contra la cubierta inferior para estabilizar la pata niveladora.



- » Colocar dos soportes de instalación de poliestireno® con una esquina en forma de escalón debajo del calentador. De esta manera, el calentador queda inclinado sobre ese costado. Cerciorarse de no apoyar el calentador sobre el borde de la junta del revestimiento de láminas de acero, apoyarlo al menos a 150 mm (6 pulgadas) de la junta.



- » Inclinarse el calentador que descansa sobre los soportes de instalación de poliestireno®.
- » Retirar la otra mitad del embalaje del piso.
- » Mientras el calentador está inclinado, desenroscar las dos patas restantes, pero no más de 30 mm (1,1 pulgadas).
- » Apretar las tuercas de las patas contra la cubierta inferior del calentador.
- » Posicionar el calentador sobre las tres patas niveladoras.
- » Ajustar las patas para nivelar el calentador de forma vertical.
- » Retirar el embalaje restante del calentador.
- » Instalar el codo del drenaje de condensado.

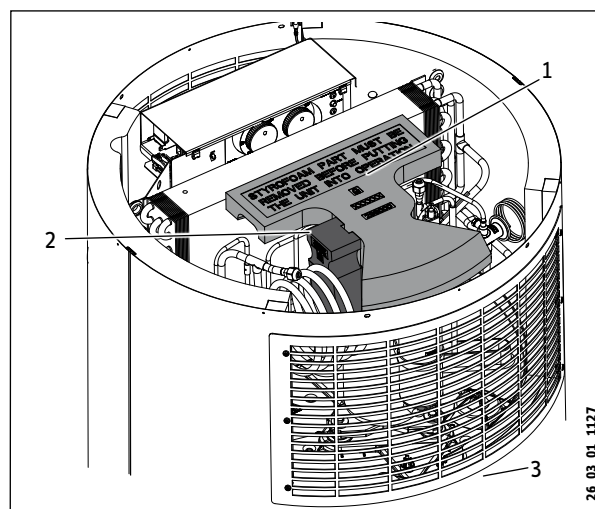
11.7 Quitar el bloqueo de transporte

Hay un bloqueo de transporte de dos piezas para la unidad de la bomba de calor del aparato. Se debe quitar el bloqueo de transporte antes de instalar el aparato.



En el momento de la entrega, la tapa del aparato está fijada con solo 4 tornillos. El resto de los tornillos de la tapa están en una bolsa de plástico que encontrará en la parte inferior del embalaje del aparato.

- » Desatornille los 4 tornillos de la tapa y retire la tapa para abrir el aparato.
- » Retire el aviso sobre transporte seguro que está entre la carcasa del aparato y la tapa.



- 1 Bloqueo de transporte, pieza I
- 2 Bloqueo de transporte, pieza II
- 3 Entrada de aire

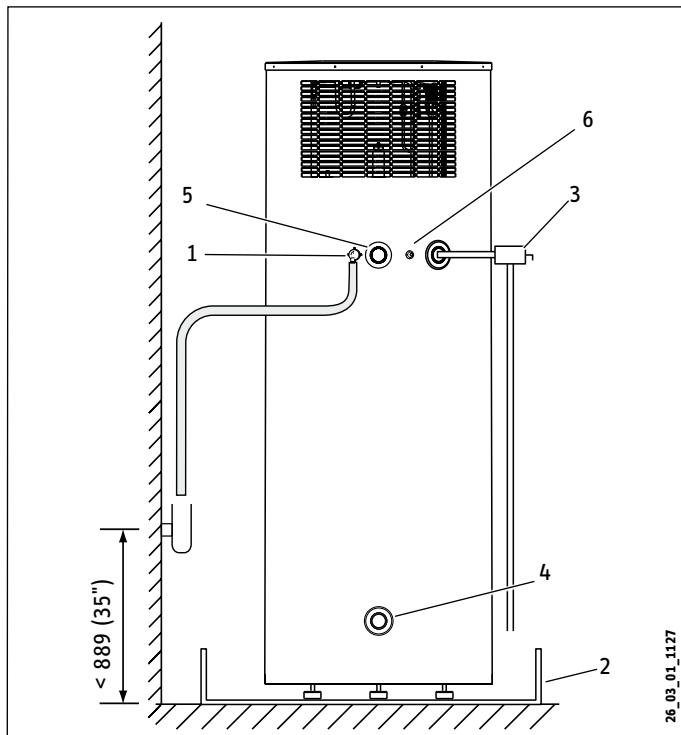
- » Retire con cuidado la pieza II del bloqueo de transporte; para ello, tire de la pieza II con suavidad para sacarla de la pieza I del bloqueo de transporte.
- » Retire la pieza I del bloqueo de transporte.
- » Asegúrese de que no queden restos del embalaje en el aparato.
- » Compruebe que la unidad de la bomba de calor no se haya dañado durante el transporte.
- » Vuelva a colocar la tapa sobre el aparato y sujétela con los 8 tornillos que se proporcionan.



Nunca utilice el aparato inmediatamente después de haber retirado el bloqueo de transporte.

- » Espere al menos 1 hora antes de utilizar el aparato.

11.8 Drenaje de condensado



- 1 Drenaje de condensado
- 2 Bandeja de drenaje conectado a un drenaje
- 3 Válvula de T&P
- 4 Conexión de agua fría
- 5 Conexión de agua caliente
- 6 Excedente de condensado

El drenaje de condensado se encuentra en la parte baja del calentador. Allí, se puede conectar una manguera de drenaje.

Si se instala el aparato al aire libre, el condensado puede drenar libremente.

Si se lo instala en un espacio cerrado, el condensado puede fluir por un drenaje en el piso, o por la pared hasta 889 mm (35 pulgadas) (ver el diagrama de arriba).

De ser necesario, instalar una bomba de condensado.



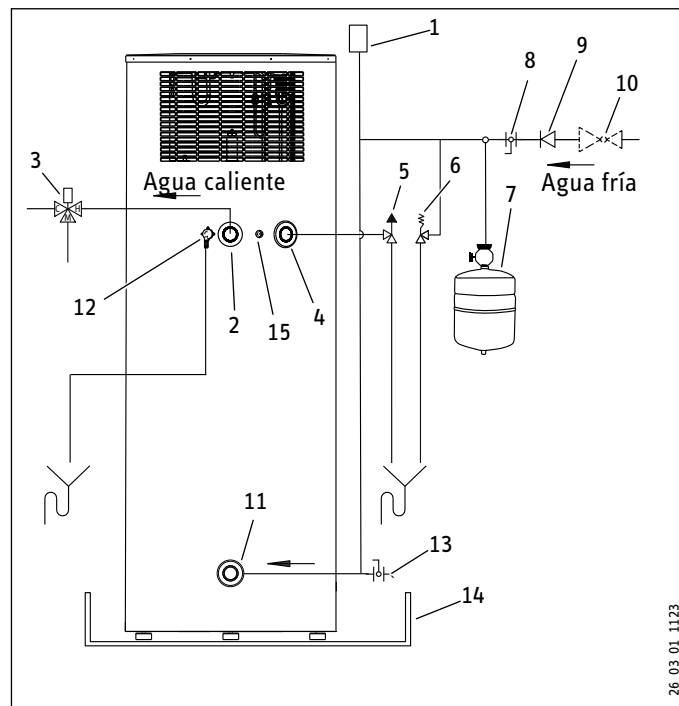
Para que el condensado drene como corresponde, no enroscar la manguera.

11.9 Conexión del agua

La conexión del agua la debe realizar un plomero calificado y autorizado.

La conexión debe obedecer la norma DIN 1988 [o con los códigos estatales y locales].

» Antes de instalar el calentador, descargar toda el agua de la red.



- 1 Igualador de presión
- 2 Conexión del agua caliente (adaptador para la unión de 3/4 pulgadas)
- 3 Válvula mezcladora (provista por el instalador)
- 4 Conexión para la válvula de T&P de 3/4 pulgadas
- 5 Válvula de T&P de 3/4 pulgadas, 0,69 MPa a 99°C (100 psi a 210°F) (suministrada con la unidad)
- 6 Válvula de escape de 0,551 MPa (80 psi) (opcional, provista por el instalador)
- 7 Tanque de expansión (provisto por el instalador)
- 8 Válvula de cierre directo (provista por el instalador)
- 9 Válvula de retención (provista por el instalador)
- 10 Válvula de reducción de presión de 0,48 MPa (70 psi) (provista por el instalador)
- 11 Conexión de agua fría (más adaptador para la unión de 3/4 pulgadas)
- 12 Drenaje de condensado (más el codo incluido con la unidad)
- 13 Válvula de drenaje (provista por el instalador)
- 14 Bandeja de drenaje (provista por el instalador)
- 15 Excedente de condensado

» Retirar las tapas de plástico protectoras de los conectores.
 » Conectar las tuberías.



Riesgo de daños por corrosión
Realizar la conexión con juntas chatas, a fin de evitar el riesgo de corrosión.

» Aislar la red de agua caliente para evitar la pérdida de calor.
 » Instalar una válvula de drenaje en la parte más baja del suministro de agua fría.

Instalar una válvula de reducción de presión de 0,48 MPa (70 psi) en la entrada de agua fría.

Mantener el orden exacto de las instalaciones del lado del agua fría (ver diagrama 10.7).

11.9.1 Válvula de seguridad (provisión en el lugar)

El calentador viene en una unidad sellada. Se debe instalar una válvula de escape de T&P de 0,69 MPa, 99°C (100 psi, 210°F).

Al instalar la válvula de T&P, seguir las siguientes indicaciones:

- Colocar la red del drenaje de tal forma que pueda drenarse completamente, incluso si la válvula de seguridad está abierta en su totalidad.
- La salida del drenaje no debe contar con ningún tipo de cierre, debe permanecer siempre abierta al ambiente.
- La válvula de T&P debe accionarse cuando la presión llegue a los 0,69 MPa (100 psi) y debe tener una rosca de 3/4 pulgadas.

11.9.2 Válvula de T&P (provisión en el lugar)



PRECAUCIÓN Riesgo de lesiones por presión y temperaturas excesivas.

Colocar un equipo de seguridad que cumpla con las reglas relevantes sobre los lugares donde se pueden ubicar las instalaciones. En todo caso, colocar una "Válvula de escape de presión y temperatura (válvula de escape de T&P) "que cumpla con los requerimientos de ANSI Z21.22 ("Requerimientos de válvulas de escape y cierre de gas automático de calentadores de agua para sistemas de suministro de agua caliente"). La válvula de T&P debe activarse a una presión de 0,69 MPa (100 libras sobre pulgada cuadrada). Colocarla dentro de la abertura indicada en la circunferencia del calentador.

Cerciorarse de que el agua expulsada no entre en contacto con piezas que contengan electricidad y no corra por superficies sensibles. Cerciorarse de que la salida de la válvula de seguridad de alivio de T&P no esté obstruida en ningún momento.

11.10 Suministro de electricidad: 240V / disyuntor de dos polos 15 A

La conexión eléctrica debe establecerla un electricista calificado.



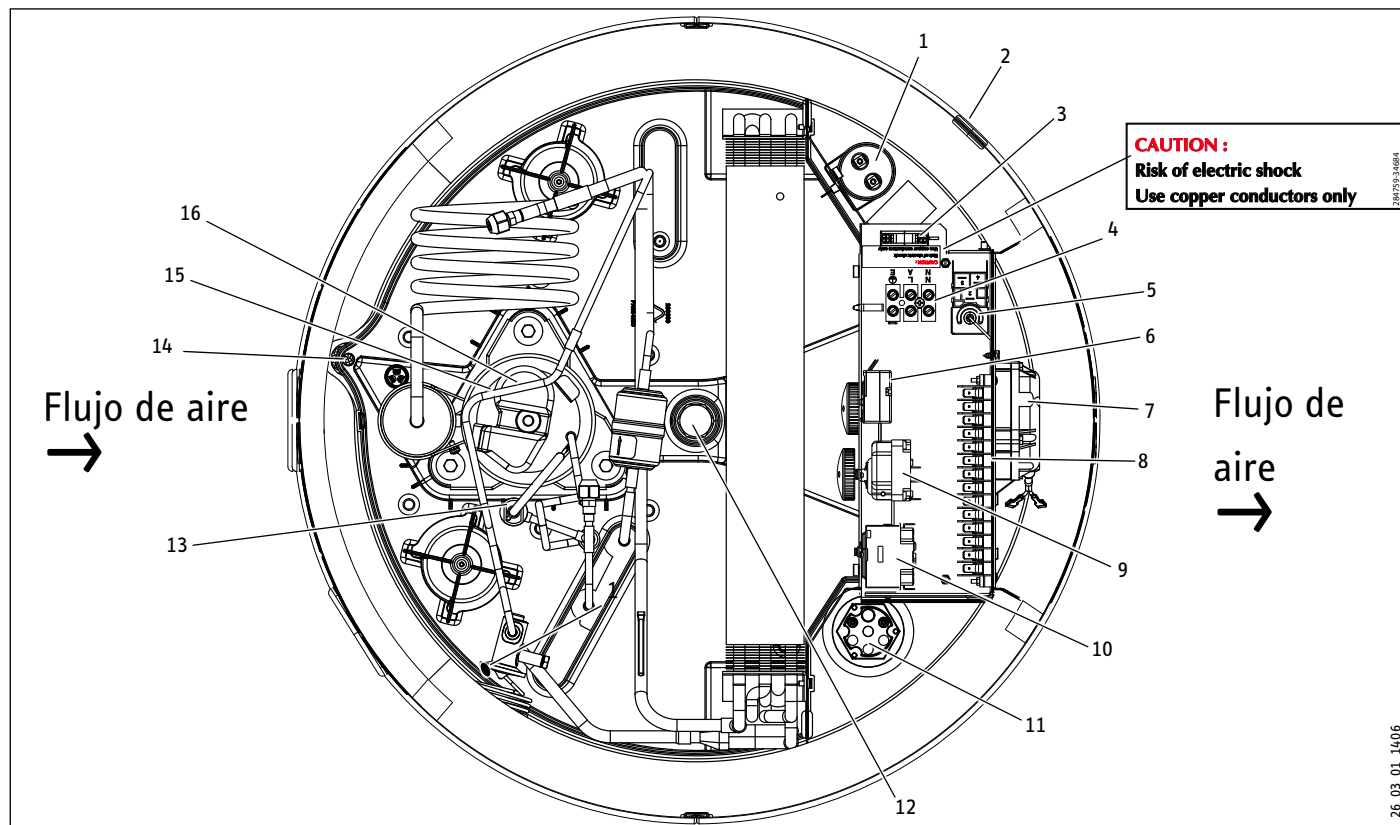
PELIGRO Descargas eléctricas

El contacto con piezas con corriente eléctrica puede poner en riesgo la vida.

- » Desconectar el calentador del suministro de electricidad antes de trabajar con el panel de control.
- » Cerciorarse de que nadie pueda reconectar la electricidad mientras se trabaje con el calentador.

Cuando se realicen las conexiones, utilizar desconexiones que obedezcan los códigos.

- » Espere al menos 1 hora antes de utilizar el aparato.



- | | |
|--|---|
| <ul style="list-style-type: none"> 1 Condensador 2 Entrada de cables a la cubierta del calentador 3 Aliviador de tensión sobre los cables (precinto sujetador de cables) 4 Terminal de la red de suministro 5 Control de escarcha 6 Termostato de control de la bomba eléctrica de calor 7 Motor del ventilador 8 Terminal de la bomba eléctrica de calor 9 Termostato del calentador de refuerzo | <ul style="list-style-type: none"> 10 Corte de seguridad por el exceso del límite de temperatura, calentador de refuerzo, reinicio manual (ver 14.1.1) 11 Calentador de refuerzo 12 Ánodo de sacrificio 13 Limitador de presión de seguridad, reinicio manual, (ver 14.1.2) 14 Bandeja de drenaje de condensado 15 Compresor 16 Protección del motor del compresor (Klixon), reinicio automático por demora (ver 14.1.3) |
|--|---|

- » Introducir el cable de electricidad al interior del calentador por la entrada de cables.
- » Guiarlo a través del precinto del aliviador de tensión sobre los cables (precinto sujetador de cables).
- » Conectar el cable de electricidad a la terminal de la red de suministro según el diagrama de cableado (ver capítulo 16.2 "Diagrama de cableado". L1, L2 y toma de tierra).

Presionar el botón de reinicio de cortes de seguridad por el exceso del límite de la temperatura para reiniciarlo. Para poder hacerlo, es preciso retirar la cubierta del calentador.



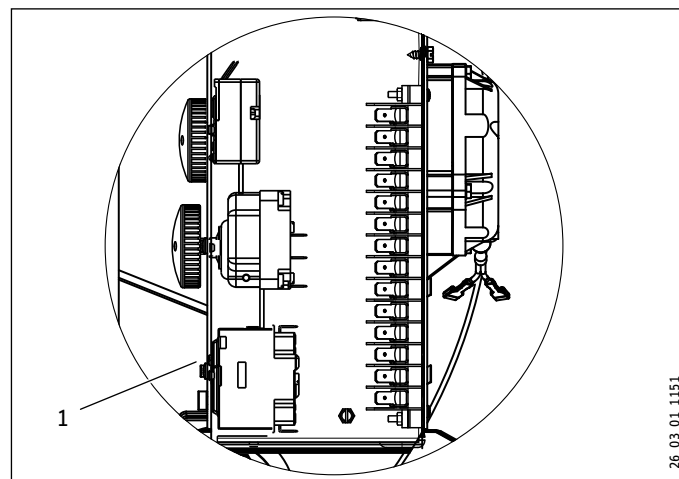
PRECAUCIÓN Descargas eléctricas
Riesgo de lesiones debido a la instalación inapropiada de la toma de tierra.

- » Cerciorarse de que el calentador tenga una toma de tierra de acuerdo con los requerimientos del lugar donde se instalará.

La toma de tierra del cable de electricidad debe estar conectada a la terminal marcada con una "G" o con la palabra "Earth" (Tierra).

11.10.1 Corte de seguridad por el exceso del límite de la temperatura

En ambientes cuya temperatura sea inferior a los -10°C (14°F), por ejemplo durante el traslado marítimo o el almacenamiento, se puede activar el corte de seguridad por el exceso del límite de la temperatura.



- 1 Botón de reinicio de cortes de seguridad por el exceso del límite de temperatura

12. Encendido inicial

12.1 Encendido inicial

Solo los instaladores autorizados y calificados podrán llevar a cabo el encendido inicial del calentador, e instruir a los usuarios sobre su uso.

- » Llenar y vaciar el calentador abriendo el suministro de agua fría y una llave de agua caliente.
- » Vaciar completamente el calentador.
- » Revisar las válvulas de seguridad. Informar al usuario que la válvula de seguridad puede gotear agua mientras esta se calienta.
- » Reiniciar el disyuntor para conectar la electricidad.



No se debe utilizar el calentador en ambientes cuya temperatura sea inferior a los 6°C (43°F) o superior a los 42°C (107°F).

12.2 Apagado

El calentador se puede apagar únicamente desconectándolo del suministro de energía.

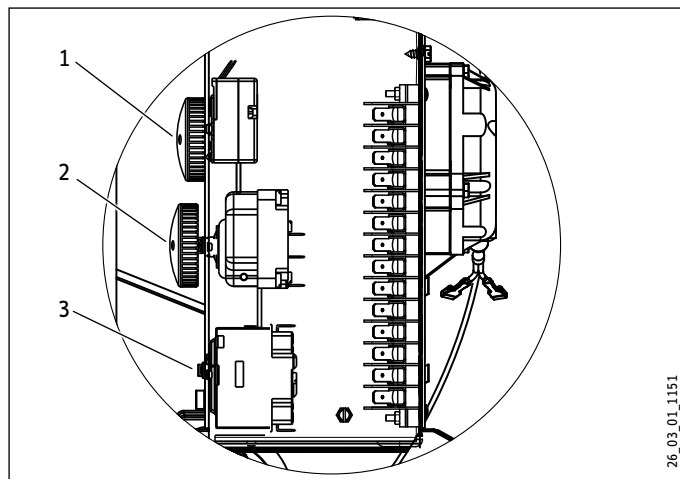
12.3 Reinicio

Si se desconectó o interrumpió el suministro de electricidad, esperar 15 minutos antes de volver a encender el calentador.

13. Configuración

13.1 Ajuste de la temperatura del agua

El instalador autorizado es el único que puede regular la temperatura, ya que se debe retirar la tapa del calentador de agua.



- 1 Funcionamiento del termostato de la bomba eléctrica de calor
- 2 Termostato del calentador de refuerzo
- 3 Corte de seguridad por el exceso del límite de la temperatura

Girar el termostato en sentido contrario a las agujas del reloj para disminuir la temperatura.

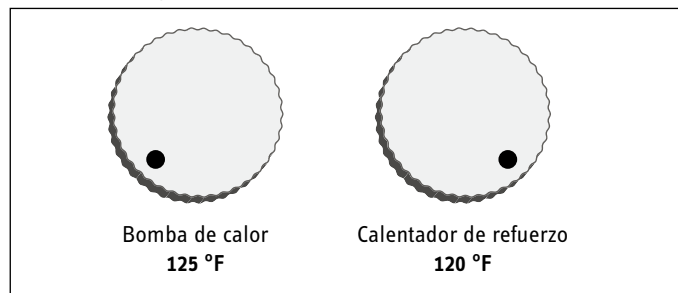


Aplicar la misma configuración a los dos termostatos. El consumo de electricidad será mayor si la temperatura del termostato de la bomba eléctrica de calor es inferior a la del termostato del calentador de refuerzo.

Cerciorarse de que los dos termostatos estén configurados de la misma manera.

El consumo de electricidad será mayor, si la temperatura del termostato de la bomba eléctrica de calor es inferior a la del termostato del calentador de refuerzo. **La temperatura del calentador de refuerzo debe ser inferior o igual a la de la bomba eléctrica de calor.**

13.2 Configuraciones del termostato



14. Entrega del calentador

- » Explicar las funciones al usuario. Hacer hincapié en las indicaciones de seguridad.
- » Entregarle estas instrucciones de uso al usuario.

15. Resolución de problemas



ADVERTENCIA Descargas eléctricas

Siempre desconectar el suministro de electricidad antes de realizar cualquier tarea sobre el calentador.

15.1 Equipo de seguridad del calentador

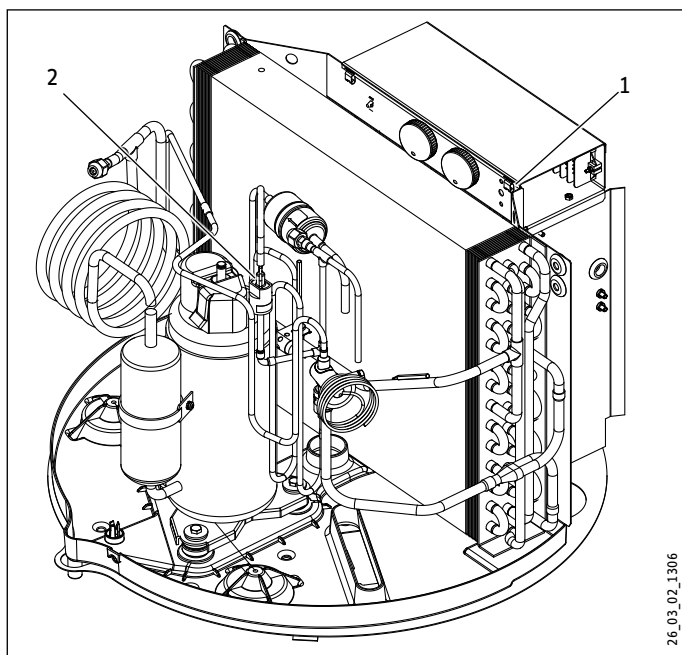
Si llega a aparecer una falla, los cortes de seguridad del calentador interrumpirán los circuitos eléctricos correspondientes.

15.1.1 Corte de seguridad por el exceso del límite de la temperatura del calentador de refuerzo

El corte de seguridad por el exceso del límite de la temperatura evita que el calentador se recaliente. El calentador de refuerzo se apagará cuando la temperatura del agua del tanque supere los 95°C (203°F).

Luego de solucionar la falla, presionar el botón de reinicio del corte de seguridad por el exceso del límite de la temperatura. Para poder hacerlo, retire la cubierta del calentador. Ver abajo.

15.1.2 Limitador de seguridad de la presión de la bomba eléctrica de calor



- 1 Botón de reinicio del corte de seguridad por el exceso del límite de la temperatura
- 2 Botón de reinicio del limitador de seguridad de presión

El limitador de seguridad de presión alta apaga el compresor si la presión dentro del circuito de refrigeración supera el tope permitido. El limitador también se puede activar si se usa el calentador por arriba del límite permitido, es decir, en un ambiente cuya temperatura sea superior a los 42°C (107°F). (Ver arriba).

Asimismo, el limitador se activará si falla el termostato de la bomba eléctrica de calor.

- » Luego de solucionar la falla, presionar el botón de reinicio del limitador de seguridad de presión para reiniciarlo.

15.1.3 Interruptor de protección del motor - klixon

El interruptor de protección del motor apagará el compresor si se sobrecarga debido a un exceso de carga térmica. Si así sucede, solucionar el problema de la sobrecarga. Tras un período corto de enfriamiento, el interruptor reiniciará el compresor de forma automática.

15.2 Resolución de problemas

15.2.1 Consumo excesivo de electricidad

- » Disminuir la temperatura del calentador de refuerzo.

15.2.2 Disminución excesiva de la temperatura del ambiente

Una causa posible es el flujo insuficiente de aire sobre el evaporador.

- » Revisar el ventilador.
- » Revisar que el evaporador no esté obstruido.
- » Cerciorarse de que la entrada y salida del aire no esté obstruida.

16. Mantenimiento y limpieza

Solo los instaladores autorizados pueden llevar a cabo las tareas de mantenimiento de acuerdo con las instrucciones.



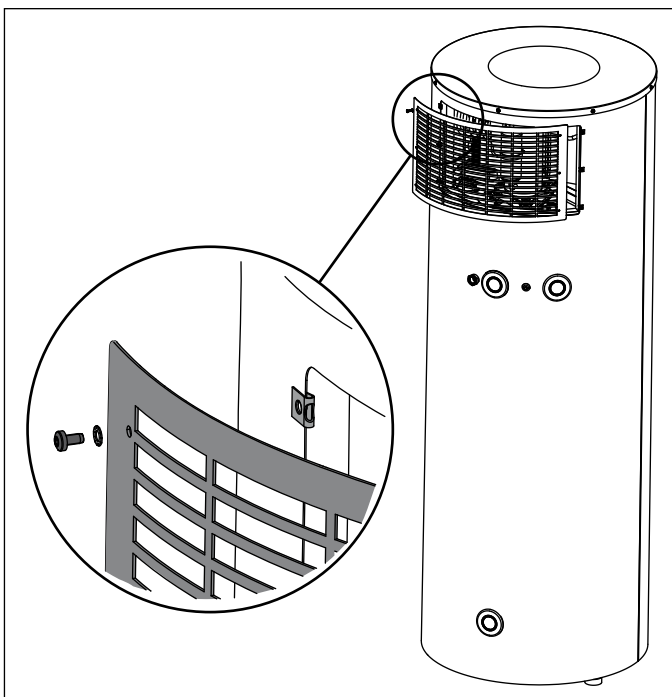
ADVERTENCIA Descargas eléctricas

Un electricista es el único que puede realizar las tareas de mantenimiento, como revisar la seguridad eléctrica. Siempre desconectar el suministro de electricidad antes de trabajar con el calentador.

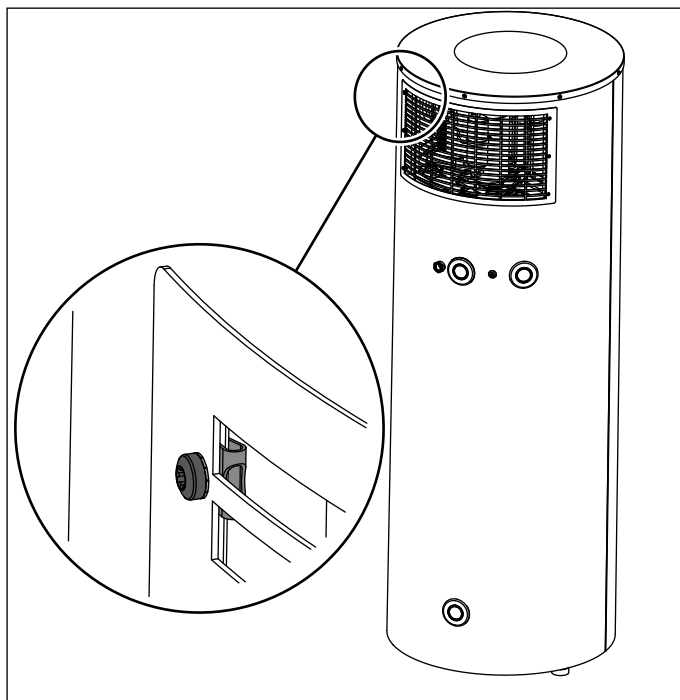
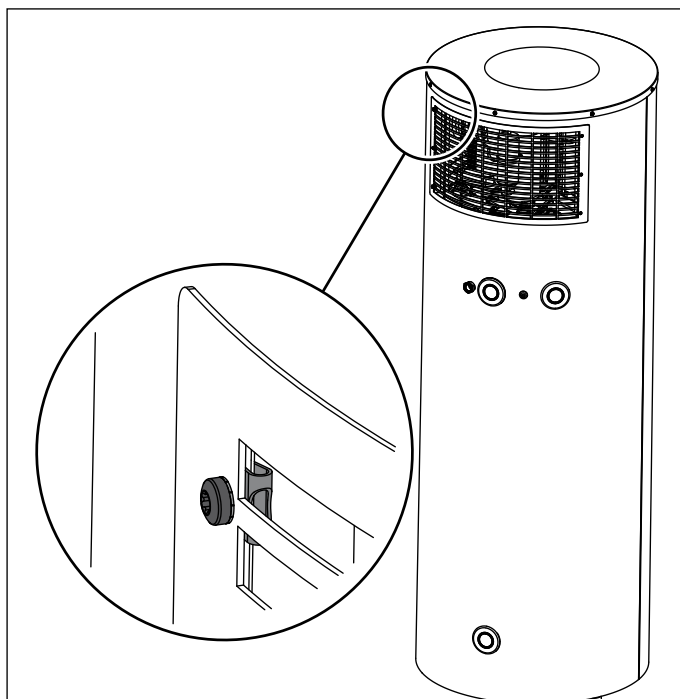


Si una vez retirada la tapa del aparato falta espacio para realizar las labores de mantenimiento, retire la rejilla de la entrada de aire. La rejilla de la entrada de aire está fijada con tuercas de resorte. El interior de la rejilla presenta una cinta de sellado adhesiva.

- » Nunca retire la cinta de sellado.
- » Use siempre las tuercas de resorte al volver a montar la rejilla.
- » Vuelva a colocar la rejilla de la entrada de aire después de haber completado las labores de mantenimiento o reparación.



- 1 Rejilla de la entrada de aire desmontable con cinta de sellado adhesiva en el contorno interior.



16.1 Limpieza del evaporador



ADVERTENCIA Lesiones

El evaporador posee varias aletas con extremos afilados. Limpiar el evaporador con precaución y utilizar vestimenta protectora, en particular guantes de seguridad.

Para asegurar el rendimiento óptimo del calentador en todo momento, es necesario limpiar el evaporador ocasionalmente de forma profesional.

- » Destornillar y retirar la cubierta.

- » Limpiar con cuidado las aletas del evaporador. Utilizar solo agua y un cepillo suave. No utilizar productos de limpieza ácidos o alcalinos.

16.2 Drenaje del tanque



ADVERTENCIA Quemaduras por agua hirviendo

Agua caliente puede salir expedida durante el drenaje del tanque.

- » Cerrar las válvulas de cierre de la red de agua fría.
- » Abrir por completo todas las llaves de agua caliente.

El tanque se drena por medio del suministro de agua fría. Quedará un poco de agua residual en el fondo del tanque.

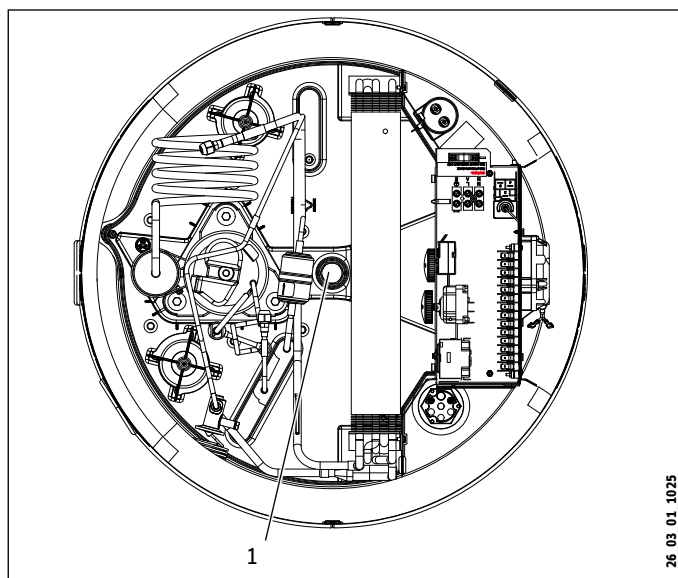
- » Abrir la válvula de drenaje (ver capítulo 10.7, "Conexión del Agua").

Si no se instaló dicha válvula, abrir las instalaciones del suministro de agua fría del calentador.

16.3 Barra de ánodo de sacrificio

La barra de ánodo de sacrificio se inserta en la cubierta superior del calentador. La barra de ánodo de sacrificio, que se coloca en la fábrica, mide aproximadamente 1260 mm (50 pulgadas) de largo.

El ritmo de la inspección del ánodo está sujeto a la calidad del agua de la zona y es determinado por el instalador autorizado de la zona. Es recomendable que se chequee el ánodo a los 12 meses como máximo de su instalación inicial.



1 Barra de ánodo de sacrificio

Si se agota el ánodo, será necesario reemplazarlo. De no poder instalarse una barra de ánodo (de un largo aproximado de 1260 mm (50 pulgadas)), instalar un ánodo segmentado.

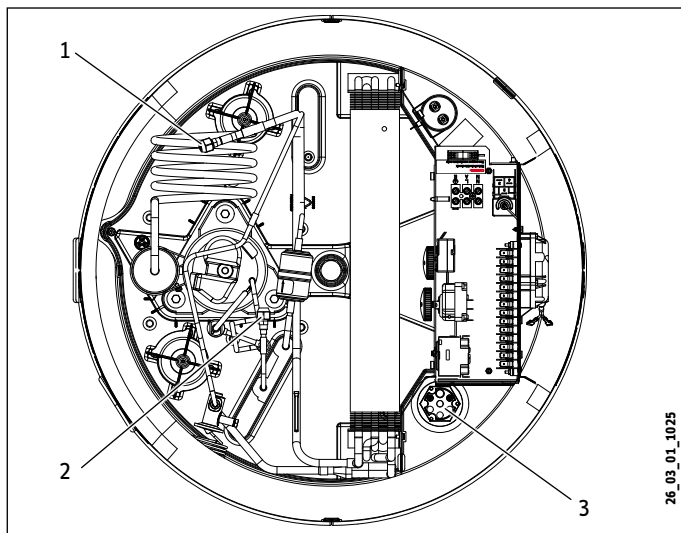
El ritmo de la inspección del ánodo está sujeto a la calidad del agua de la zona y es determinado por el instalador autorizado de la zona. Es recomendable que se chequee el ánodo a los 12 meses como máximo de su instalación inicial.

Descripción	Número de la pieza
Varilla de ánodo	278235
Varilla de ánodo segmentada	143498

Durante la instalación de la barra del ánodo, cerciorarse de que se establezca una conexión limpia de metales conductores entre el ánodo y el tanque.

16.4 Limpieza del depósito de cal

- » Cerrar la válvula de cierre del suministro de agua fría del tanque.
- » Quitar el agua del tanque para aliviar la presión dentro del calentador.



- 1 Low pressure fill port
- 2 High pressure fill port
- 3 Reborde del calentador de refuerzo

- » Destornillar el reborde y retirarlo.
- » Sumergir las secciones con depósitos de cal del calentador en líquidos de limpieza de depósitos de cal (como ácidos cítricos), hasta que se disuelva la cal.
- » Retirar el líquido de limpieza (vinagre blanco es otro ejemplo) y dejar que la pieza sumergida se seque.

16.5 Revisión de las válvulas

16.5.1 Válvula de seguridad (provisión en el lugar)

Por razones de seguridad, se debe revisar la válvula de T&P de tanto en tanto para garantizar que funcione correctamente.

- » Abrir la válvula de seguridad hasta que salga un chorro de agua.
- » Cerrar la válvula de seguridad cuando se haya completado la revisión.

La rapidez con la que se forma el depósito de cal depende de la calidad del agua de la zona y la temperatura del agua caliente. Dado que los instaladores autorizados están familiarizados con la calidad del agua de la zona, ellos determinarán la fecha del próximo mantenimiento.

16.5.2 Válvula de reducción de presión (provisión en el lugar)

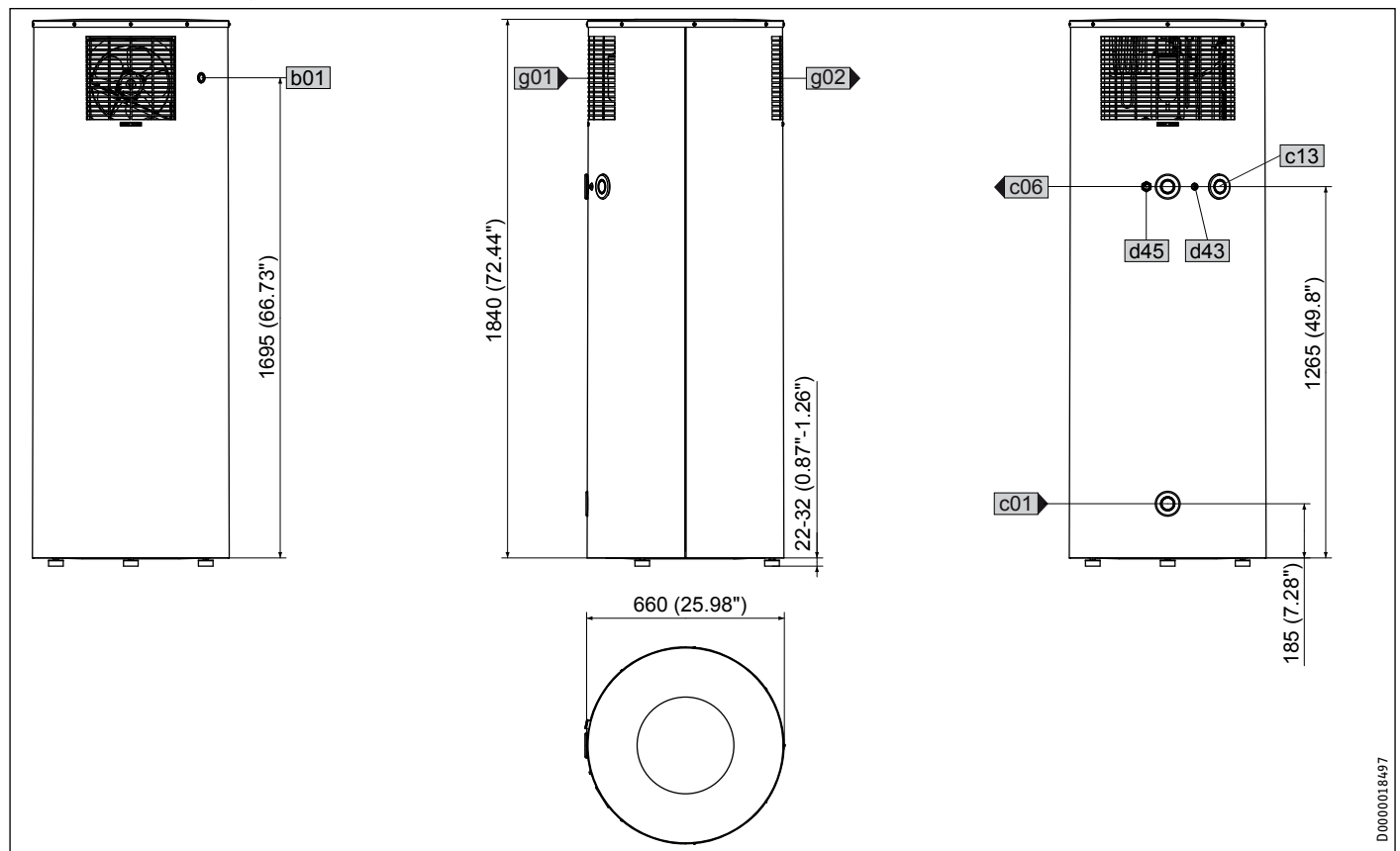
- » Revisar el funcionamiento de la válvula de reducción de presión instalada en el lugar. Reemplazarla, de ser necesario.

16.5.3 Checking refrigerant levels

- » Solo técnicos de climatización autorizados deben revisar la bomba de calor o comprobar los niveles de refrigerante.

17. Especificaciones

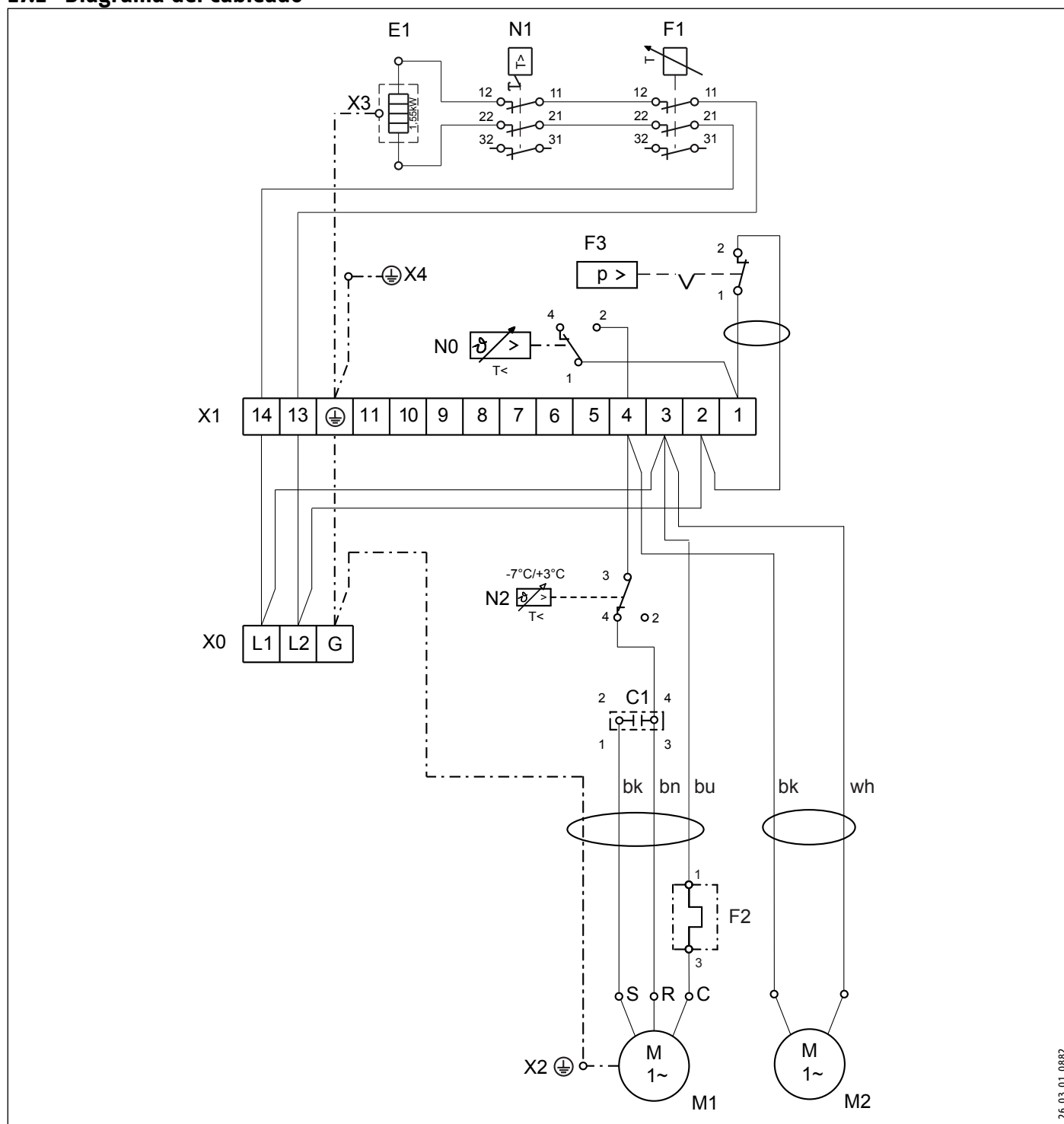
17.1 Conexiones y medidas



Accelera® 300 Conexiones y medidas

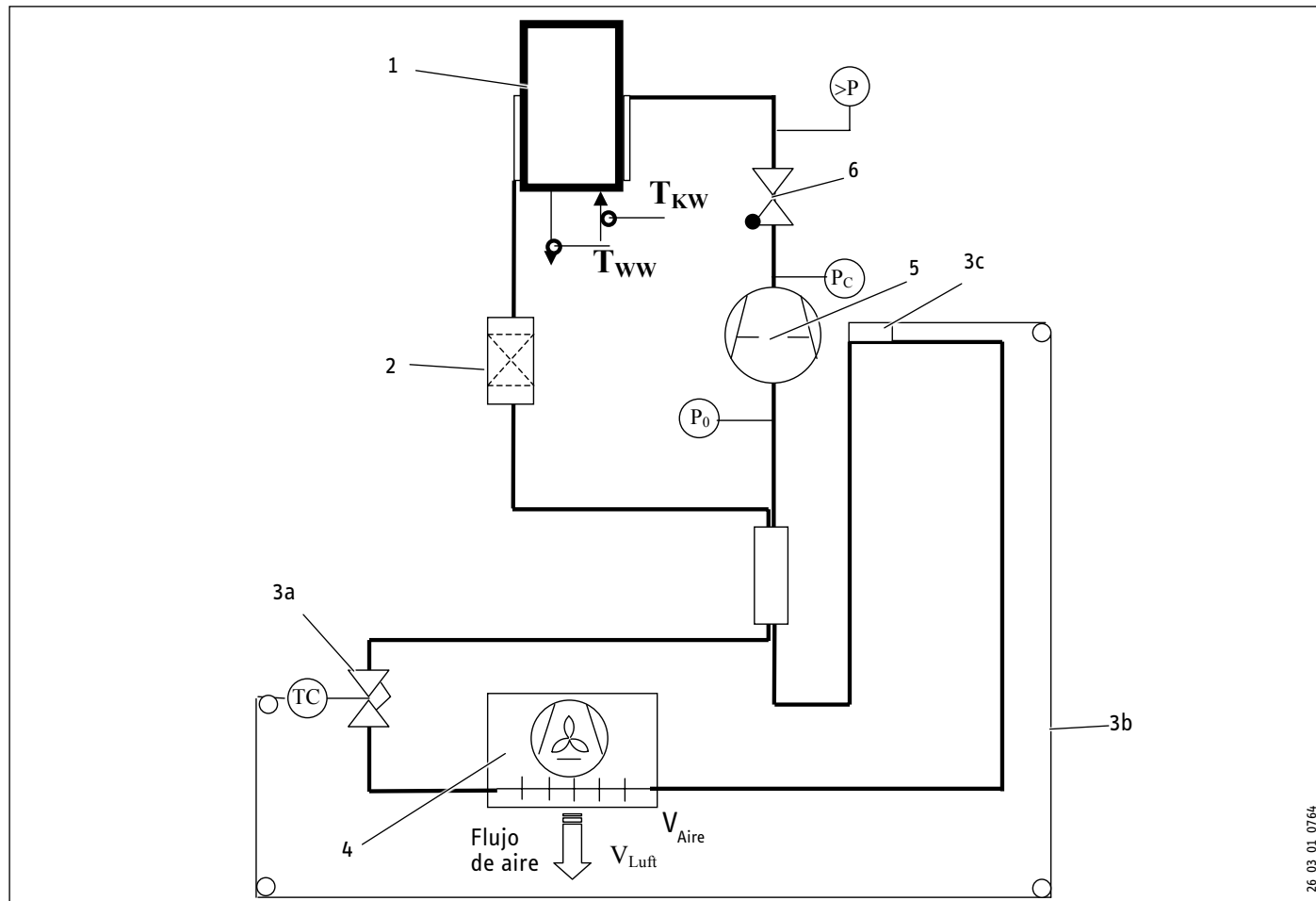
b01	Entrada de cables eléctricos		
c01	Entrada de agua fría	Rosca macho	G 1
c06	Salida del agua caliente sanitaria	Rosca macho	G 1
c13	Válvula de T&P	Rosca hembra	G 3/4
d43	Exceso de condensado		
d45	Drenaje de condensado	Rosca macho	G 3/4
g01	Entrada de aire		
g02	Salida de aire		

17.2 Diagrama del cableado



- | | | | |
|----|---|----|---|
| E1 | Calentador de refuerzo | N2 | Control de escarcha |
| F1 | Corte de seguridad por el exceso del límite de la temperatura, calentador de refuerzo | X0 | Terminal del suministro |
| F2 | Protección del motor del compresor (Klixon) | X1 | Terminal de la bomba eléctrica de calor |
| F3 | Limitador de seguridad de la presión (presión alta) | X2 | Tierra, compresor |
| M1 | Compresor | X3 | Tierra, calentador de refuerzo |
| M2 | Ventilador | X1 | Tierra, chaqueta de tanque de acero |
| N0 | Termostato de control de la bomba eléctrica de calor | | |
| N1 | Termostato - calentador de refuerzo | | |

17.3 Diagrama de la refrigeración



- 1 Tanque con condensador de calor, sensores de temperatura y sensores encamisados
- 2 Filtro secador
- 3a Válvula de expansión
- 3b Tubo capilar
- 3c Bulbo capilar
- 4 Ventilador y evaporador
- 5 Compresor
- 6 Válvula de retención
- PC Válvula de servicio de alta presión
- PO Válvula de servicio de baja presión
- >P Interruptor de seguridad de alta presión
- TC Válvula de expansión termostática

INSTALACIÓN

ESPECIFICACIONES

17.4 Información técnica

Modelo	Calentador de agua con bomba eléctrica de calor
Tipo	Accelera® 300
Número de pieza	222423
Versión	Con descongelación pasiva y calentador de refuerzo
Detalles del funcionamiento	
Límite mínimo de funcionamiento de la bomba eléctrica de calor (temperatura del aire)	42.8 °F / 6 °C
Límite máximo del funcionamiento de la bomba eléctrica de calor (temperatura del aire)	107.6 °F / 42 °C
Temperatura del agua caliente de la bomba eléctrica de calor	140 °F / 60 °C
Temperatura del agua caliente del calentador de refuerzo	140 °F / 60 °C
Flujo de aire	324 cfm / 500 m³/h
Capacidad del tanque	80 gal / 303 l
Refrigerante	R 134a
Refrigerante / peso del contenido	32 oz / 900 g
Altura del calentador (mínima)	73.4" / 1865 mm
Altura del calentador (máxima)	74.9" / 1903 mm
Diámetro del calentador	26" / 660 mm
Medida del calentador cuando se encuentra inclinado con el embalaje	87.6" / 2225 mm
Medida del calentador cuando se encuentra inclinado, sin la parte superior del embalaje	84.7" / 2150 mm
Medida del calentador cuando se encuentra inclinado, sin la plataforma de madera ni la parte superior del embalaje	79.9" / 2030 mm
Medida del calentador cuando se encuentra inclinado, sin el embalaje	78.4" / 1990 mm
Peso (tanque vacío)	287 lbs / 130 kg
Peso (tanque lleno)	950 lbs / 432 kg
Conexión del agua con el adaptador	Union to 3/4"
Drenaje de condensado	3/4"
Condensador	Intercambiador de calor cilíndrico de seguridad
Presión permitida para funcionar, lado bajo (frío)*	87 psi / 0.6 MPa
Presión positiva permitida, lado alto (caliente)*	348 psi / 2.4 MPa
Nivel de presión sonora	55.2 dB(A)
Temperatura máxima del agua entrada	140 °F / 60 °C
Detalles eléctricos	
Conexión eléctrica, voltaje / frecuencia	L1,L2,G / 208-240 v / 60/50 Hz
Protección	IP 24
Consumo de electricidad máximo (Tamb = 42°C (108°F), Tagua = 60°C (140°F), 240 V)	2.2 kW
Protección eléctrica por fusibles	15 A double pole breaker
Consumo eléctrico estipulado, bomba eléctrica de calor	2.5 A
Consumo eléctrico estipulado de la bomba eléctrica de calor (de acuerdo con DIN 8947, a 15°C (59°F) de temperatura del aire, 70% de humedad relativa y 45°C (113°F) de temperatura del agua)	0.5 kW

INSTALACIÓN

ESPECIFICACIONES

Modelo	Calentador de agua con bomba eléctrica de calor
Consumo de electricidad, calentador de refuerzo	1.690 kW
Emisión de calor de la bomba eléctrica de calor (a 15°C (59°F) de temperatura del aire, 70% de humedad relativa, calentamiento del agua desde los 15°C (59 F) a los 60°C (140°F), de acuerdo con EN 255 T3, 240 V / 60 Hz)	approx. 1.7 kW
Coefficiente de rendimiento (COP) (t) (a 15°C (59°F) de temperatura del aire, 70% de humedad relativa, calentamiento del agua desde los 15°C (59 F) a los 60°C (140°F), de acuerdo con EN 255 T3, 240 V / 60 Hz)	3.18

* Se puede utilizar un juego de manómetros estándar R-12/R-134A para probar y rellenar el refrigerante.

ESPAÑOL

Medioambiente y reciclaje

Por favor, ayúdenos a proteger el medioambiente. Desechar el aparato y el embalaje de acuerdo con las normativas nacionales.

KYOTO | R134a

Este artefacto contiene refrigerante R134a.

El refrigerante R134a es un gas CFC de efecto invernadero mencionado en el Protocolo de Kyoto con un índice GWP = 1300.

No liberar el refrigerante R134a a la atmósfera.

CALENTADOR DE AGUA CON BOMBA ELÉCTRICA DE CALOR

Todos los modelos Acclera®

GARANTÍA LIMITADA

Sujeto a los términos y condiciones expresados en esta garantía limitada de por vida, Stiebel Eltron, Inc. (el "Fabricante") por la presente asegura al comprador original (el "Propietario") que cada calentador de agua por bomba eléctrica de calor (el "Calentador") estará libre de defectos en los materiales del Fabricante o la mano de obra por un período de:

1. (10 años) desde la fecha de compra para instalaciones de vivienda residencial unifamiliar
2. (1 año) desde la fecha de compra para todas las demás instalaciones
3. (Excluido) ánodo de sacrificio o electrónico

Como única y exclusiva solución para el Propietario en cuanto a la presente garantía, el Fabricante, a discreción del Fabricante, reparará en fábrica o reemplazará el Calentador defectuoso con una unidad o repuesto de reemplazo con características de funcionamiento comparables. La máxima responsabilidad del Fabricante en cualquier circunstancia se limitará al precio de compra del Calentador que pagó el Propietario. Esta garantía limitada será la garantía exclusiva que el Fabricante otorga, y reemplaza todas las demás garantías, expresas o implícitas, escritas u orales, que incluyen pero no se limitan a las garantías de comerciabilidad o adecuación para un fin determinado. El Fabricante no será responsable de daños incidentales, indirectos o contingentes o gastos que surjan, de manera directa o indirecta, de cualquier defecto del Calentador o del uso del mismo. El Fabricante no será responsable por daños ocasionados por el agua o cualquier otro daño a la propiedad del Propietario que surja, de manera directa o indirecta, de cualquier defecto del Calentador o del uso del mismo. Solo el Fabricante está autorizado a conceder todas las garantías en representación del Fabricante, y ninguna declaración o garantía realizada por cualquier otra parte será vinculante para el Fabricante. El Fabricante no será responsable de ningún daño relacionado o causado por:

1. cualquier uso indebido o falta de cuidado del Calentador, cualquier accidente que afecte al Calentador, cualquier alteración al Calentador, o cualquier otro uso incorrecto;
2. casos fortuitos o circunstancias sobre las cuales el Fabricante no tiene control;
3. instalación del Calentador que se desvíe de las directivas del Fabricante o no observe los códigos de construcción pertinentes;
4. instalación defectuosa y/o uso de materiales inapropiados por parte de cualquier instalador y que no se relacione con defectos en los repuestos o la mano de obra del Fabricante;
5. negligencia en cuanto a mantener el Calentador u operar el Calentador según las especificaciones del Fabricante;
6. componentes defectuosos no instalados originalmente por el

Fabricante o que no formaban parte de la unidad al momento de la venta;

7. exposición a condiciones de congelamiento;
8. exposición a sustancias químicas peligrosas, agua contaminada, líquidos corrosivos u atmósfera corrosiva;
9. instalación del Calentador en un circuito cerrado sin un tanque de expansión térmica con un tamaño adecuado y correctamente instalado;
10. hacer funcionar el Calentador sin el ánodo de corriente impresa electrónicamente instalado por la fábrica, o el ánodo de sacrificio;
11. reemplazo del calentador eléctrico de refuerzo con una unidad no fabricada por Stiebel Eltron o que supere en potencia al calentador de refuerzo instalado originalmente;
12. conexión del Calentador a un voltaje o servicio inadecuado;
13. hacer funcionar el Calentador en condiciones de presión de agua fluctuante o excesiva o en caso de que el Calentador se alimente de agua no potable durante un período de cualquier duración;
14. hacer funcionar la unidad cuando está vacía o solo parcialmente llena de agua potable;
15. instalar o hacer funcionar el Calentador en exteriores;
16. hacer funcionar el Calentador a temperaturas superiores a las recomendadas por el Fabricante;
17. no drenar adecuadamente la unidad después de cortes de energía que duren más de dos días;

Si el Propietario desea devolver el Calentador al Fabricante para su reparación o reemplazo bajo esta garantía, el Propietario debe obtener primero la autorización por escrito del Fabricante. El Propietario deberá presentar una prueba de compra, incluida la fecha de compra, y será responsable de los costos de desinstalación y transporte. Si el Propietario no puede demostrar una fecha de compra, esta garantía se limitará al período que comienza a partir de la fecha de compra impresa en el Calentador. El Fabricante se reserva el derecho de negar la cobertura de esta garantía después de examinar el Calentador. Esta garantía se limita al Propietario y es intransferible.

Algunos Estados y Provincias no permiten la exclusión o limitación de ciertas Garantías. En dichos casos, las limitaciones aquí expresadas pueden no aplicarse al Propietario. En dichos casos esta Garantía se limitará al período más corto y las menores cifras de daños permitidas por ley. Esta Garantía le da derechos legales específicos y puede que usted tenga otros derechos que variarán de Estado a Estado y de Provincia a Provincia.

El Propietario será responsable de todos los costos de mano de obra y otros cargos incurridos al retirar o reparar el Calentador en el lugar de instalación. Por favor obsérvese que el Calentador debe instalarse de tal manera que, en caso de pérdida, el flujo de agua de la pérdida no dañe el lugar en que está instalado.

Esta Garantía solo es válida en Estados Unidos y Canadá. Las garantías pueden variar de un país a otro. Consulte a su representante de Stiebel Eltron local para conocer la Garantía correspondiente a su país.

STIEBEL ELTRON

17 West Street
West Hatfield, MA 01088

TEL 800.582.8423

TEL 413.247.3380

FAX 413.247.3369

info@stiebel-eltron-usa.com

www.stiebel-eltron-usa.com



À lire.
Lisez attentivement ces directives puis mettez-les de côté pour référence ultérieure. Si la propriété du chauffe-eau passe à une tierce partie, veuillez transmettre ces directives au nouveau propriétaire.

Ce manuel comprend des informations importantes pour vous aider à manipuler ce chauffe-eau efficacement et en toute sécurité. Veuillez conserver ce manuel à proximité du chauffe-eau en permanence.

Les travaux ne doivent être effectués que par un technicien qualifié qui aura lu et compris ces directives. Il est impératif de respecter tous les codes locaux, provinciaux et fédéraux en vigueur. Le non-respect de cette directive pourrait entraîner une défaillance de l'appareil ou des blessures graves, voire mortelles.

Avant de commencer les travaux, déconnectez l'alimentation électrique.

Les illustrations présentées dans ce guide sont destinées à vous aider à mieux comprendre et peuvent être légèrement différentes de la version du chauffe-eau en votre possession. Aucune réclamation s'appuyant sur ces illustrations ne sera prise en considération.

Responsabilité limitée :

Nous avons synthétisé tous les détails et informations dans ce manuel en tenant compte des normes et règlements en vigueur, des dernières technologies et des années d'expérience et de savoir-faire dont nous pouvons nous enorgueillir.

Les dommages causés par les actions suivants n'engagent pas notre responsabilité :

- Le non-respect de ces directives
- Utilisation incorrecte
- Installation du chauffe-eau par un personnel non qualifié
- Modifications non autorisées
- Modifications techniques
- Utilisation de pièces de rechange non approuvées

Copyright :

Ce mode d'emploi et les directives d'installation sont protégés par un droit d'auteur.

Il est interdit de transférer ces directives à de tierces parties, de copier de quelle façon que ce soit, en partie ou en totalité, le contenu de ce document, ainsi que d'utiliser ou d'en transmettre le contenu sans notre autorisation écrite.

Toute infraction pourra entraîner une demande en indemnisation. Nous nous réservons le droit de soulever d'autres réclamations.

Le droit d'auteur appartient à :

STIEBEL ELTRON Inc.
17 West Street | West Hatfield MA 01088
Tél. 413-247-3380 | Fax 413-247-3369
Courriel info@stiebel-eltron-usa.com
www.stiebel-eltron-usa.com

Pour toute question concernant l'installation ou le fonctionnement du chauffe-eau, veuillez vous adresser à notre service clientèle en composant le 800-582-8423 ou le 413-247-3380 (É.-U.)

Guide de démarrage rapide pour l'Accelera® 300

- A. **SURVOL** : Ce chauffe-eau se branche comme tout autre chauffe-eau électrique à quelques exceptions près. Veuillez à respecter tous les codes locaux et provinciaux en vigueur lors de l'installation. Cette page ne peut en aucun cas remplacer le manuel d'installation. Veuillez à respecter toutes les mesures de précaution.
- B. **RETRAIT DE L'EMBALLAGE** : NE RETIREZ PAS le chauffe-eau de l'emballage avant qu'il soit à l'endroit où il doit être installé. Suivez les directives du manuel et veillez à procéder avec précaution car cet appareil est lourd, notamment en haut. NE POSEZ PAS l'appareil horizontalement, NE SECOUEZ PAS, ni N'INCLINEZ PAS l'appareil au-delà de 45 ° lorsque vous le déplacez avec le diable. **Voir : 10.6**
- C. **INSTALLATION / RACCORDEMENT À L'EAU** :
- a. **Emplacement** : Trouvez un emplacement acceptable conformément aux directives du manuel. Installez maintenant le coude du tuyau d'écoulement. Veillez à ce que les ouïes de ventilation soient parallèles au mur avec le ventilateur dirigé vers la partie la plus ouverte le long de ce mur. Veuillez noter que : Il est recommandé d'avoir un bac à condensats. **Voir : 10.6**
- b. **Admission de 3/4 po "** du raccordement fournie. Pour le branchement, suivez les codes locaux et provinciaux relatifs aux clapets antiretour, aux vases d'expansion, aux vannes d'isolement, jauges, etc. Installez un robinet de pression de 70 lb/po². Veuillez noter que : La pression de l'eau ne doit pas dépasser 0,48 Mpa (70 lb/po²). **Voir : 10.7**
- c. **Sortie de 3/4 po** du raccordement vers la conduite d'eau chaude.
- d. **Installez une soupape de décharge T&P** (fournie). Veuillez noter que : 0,69 MPa / 99 °C (100 lb/po² / 210 °F).
- D. **TUYAU D'ÉCOULEMENT** : S'écoule directement dans un drain ou utilisez une pompe à condensats pour l'évacuer de manière adéquate. **Voir : 10.6.1**
- E. **REEMPLIR ET PURGER LE RÉSERVOIR** : Ouvrez l'arrivée d'eau et veillez à ce que le réservoir soit plein avant de brancher à l'alimentation électrique.
- F. **INSTALLATION / CONNEXIONS ÉLECTRIQUES** : Utilisez un disjoncteur bipolaire 240 Volts / 15 A et connectez aux prises L1, L2 et à la terre du chauffe-eau. **Voir : 16.2**



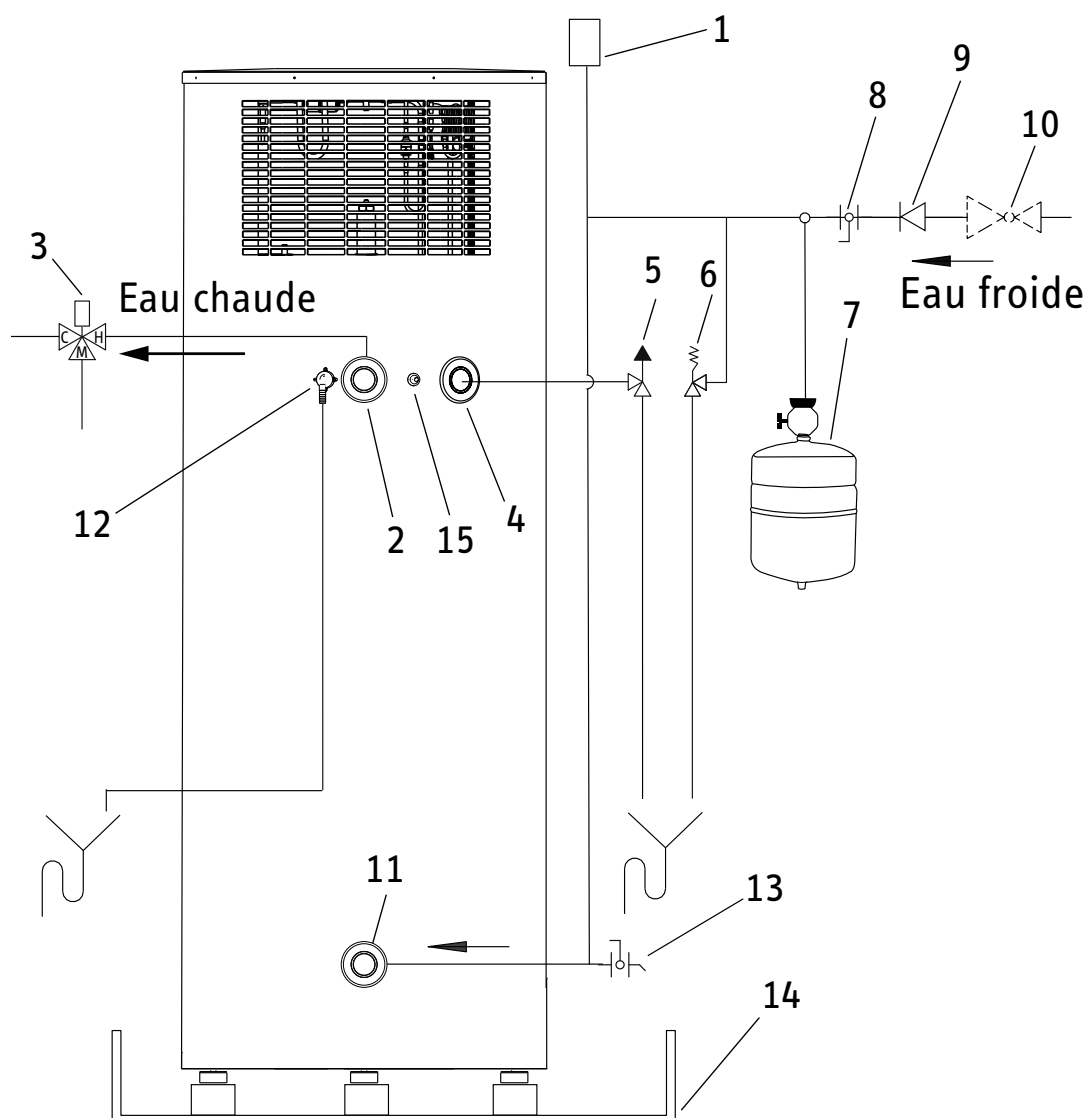
Dans les cinq heures qui suivent le démarrage, le débit d'air expulsé doit être à environ 14,4 °C (6 °F) de moins que du côté d'admission.



ATTENTION : Risque d'ébullition. Lorsque les températures à la sortie dépassent 43 °C (110 °F), vous risquez de vous ébouillanter. Risque d'ébullition.

MODE D'EMPLOI

GUIDE DE DÉMARRAGE RAPIDE



- 1 Brise-vide
- 2 Connexion d'eau chaude (adaptateur de raccordement à 3/4 po)
- 3 Mitigeur (fourni par l'installateur)
- 4 Connexion pour la soupape T & P 3/4 po
- 5 Soupape T & P 3/4 po, 0,69 MPa à 99 °C (100 lb/po² à 210 °F) (fournie avec l'appareil)
- 6 Soupape de décharge 0,551 MPa (80 lb/po²) (en option, fournie par l'installateur)
- 7 Vase d'expansion (fourni par l'installateur)
- 8 Vanne d'isolement deux voies (fournie par l'installateur)
- 9 Clapet antiretour (fourni par l'installateur)
- 10 Robinet de pression 0,48 MPa (80 lb/po²) (fourni par l'installateur)
- 11 Connexion d'eau froide (avec adaptateur de raccordement à 3/4 po)
- 12 Tuyau d'écoulement (coude fourni avec l'appareil)
- 13 Robinet de purge (fourni par l'installateur)
- 14 Bac à condensats (fourni par l'installateur)
- 15 Débordement de condensats

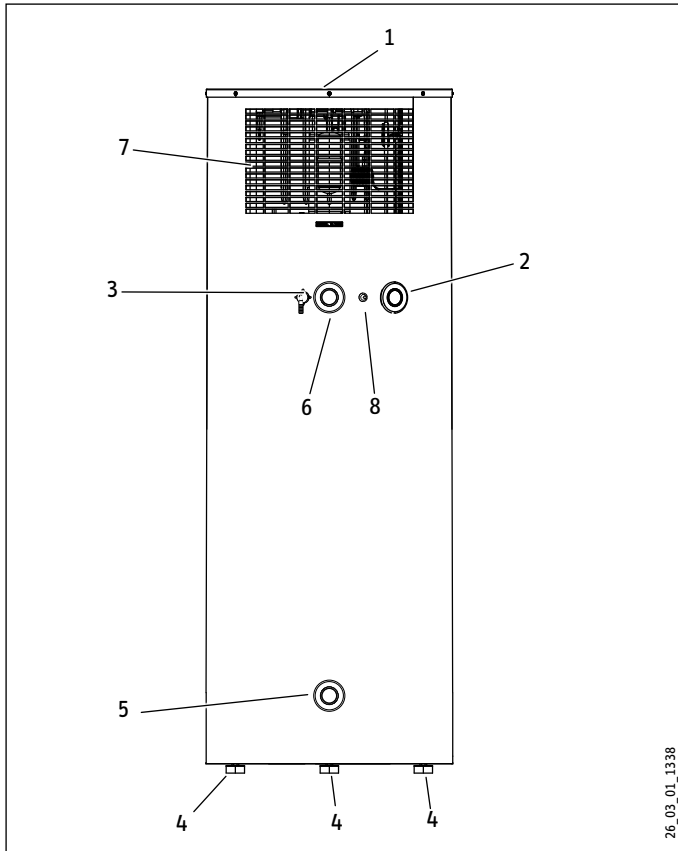
MODE D'EMPLOI

TABLE DES MATIÈRES

GÉNÉRALITÉS	61	13.1. Ajuster la température de l'eau	80
GUIDE DE DÉMARRAGE RAPIDE	61	14. Transfert du chauffe-eau à un tiers	80
MODE D'EMPLOI	62	15. Dépannage	80
1. Survol	64	15.1. Équipement de sécurité du chauffe-eau	80
2. Généralités	64	15.2. Dépannage	81
2.1. Légende des symboles	64	16. Entretien et nettoyage	81
3. Sécurité	68	16.1. Nettoyage de l'évaporateur	82
3.1. Généralités relatives à la sécurité	68	16.2. Purge du réservoir	82
3.2. Usage prévu	68	16.3. Anode soluble	82
3.3. Utilisation incorrecte	68	16.4. Détartrage	83
3.4. Qualification du personnel	68	16.5. Inspection des valves	83
3.5. Équipement de sécurité	68	17. Spécification	84
3.6. Risques particuliers	68	17.1. Connexion et dimensions	84
4. Description du chauffe-eau	69	17.2. Schéma de câblage	85
4.1. Description des fonctions	69	17.3. Schéma du frigorigène	86
5. Mode d'emploi	69	17.4. Données techniques	87
5.1. Démarrage initial par un installateur agréé	69	ENVIRONNEMENT ET RECYCLAGE	88
5.2. Démarrage et arrêt	70	GARANTIE	89
5.3. Arrêt d'urgence	70		
6. Maintenance et entretien	70		
6.1. Détartrage	70		
7. Que faire si...	70		
7.1. ...Le chauffe-eau ne produit pas d'eau chaude	70		
7.2. ...La soupape de surpression de l'arrivée d'eau froide a des fuites	70		
7.3. ...Le tuyau d'écoulement coule goutte à goutte	70		
7.4. ...L'appareil consomme trop d'électricité	70		
7.5. ...La température ambiante baisse trop	70		
7.6. ...En cas d'autres défaillances	70		
8. Sécurité	71		
8.1. Généralités relatives à la sécurité	71		
8.2. Utilisation incorrecte	71		
8.3. Qualification	71		
8.4. Directives, normes et règlements	71		
8.5. Raccordement à l'eau	71		
8.6. Connexions électriques	72		
9. Description du chauffe-eau	72		
9.1. Livraison normale	72		
9.2. Accessoires spéciaux	72		
10. Transport	73		
10.1. Transporter en position horizontale	73		
11. Installation	73		
11.1. Emplacement de l'installation	73		
11.2. Inspection de l'emballage d'expédition	73		
11.3. Manipulation	73		
11.4. Entreposage	74		
11.5. Positionnement du chauffe-eau	74		
11.6. Retrait du chauffe-eau de l'emballage	75		
11.7. Retirer le verrou de transport	76		
11.8. Tuyau d'écoulement	77		
11.9. Raccordement de l'eau	77		
11.10. Configuration électrique : Disjoncteur bipolaire 240 V / 15A	78		
12. Démarrage rapide	80		
12.1. Démarrage rapide	80		
12.2. Désactivation	80		
12.3. Redémarrage	80		
13. Réglages	80		

1. Survol

Avant du chauffe-eau



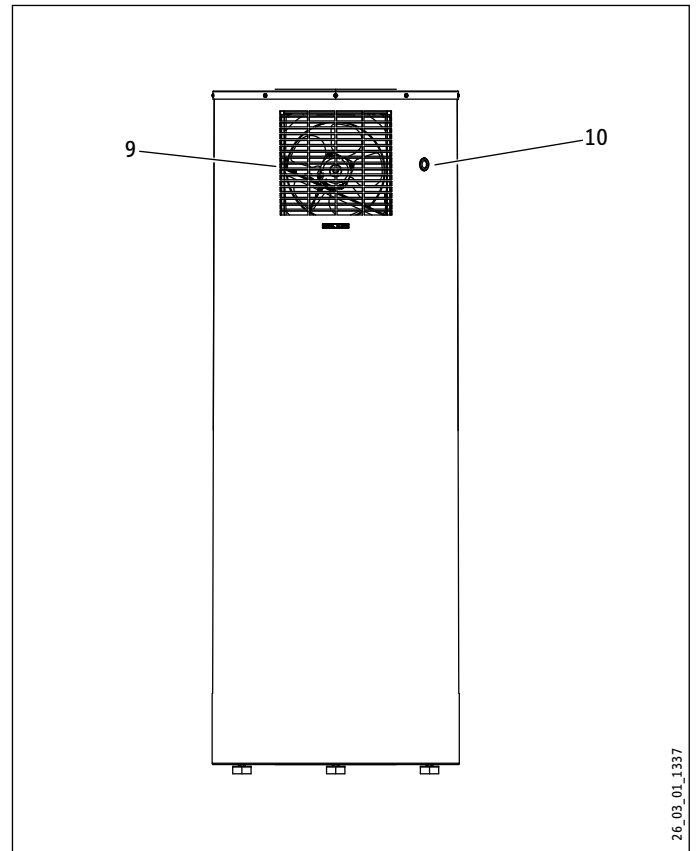
- 1 Couvercle du chauffe-eau
- 2 Ouverture pour la soupape PT
- 3 Tuyau d'écoulement
- 4 Pied de mise à niveau
- 5 Arrivée d'eau froide
- 6 Sortie d'eau chaude
- 7 Admission d'air
- 8 Débordement de condensats

Le chauffe-eau extrait la chaleur de l'air ambiant et utilise cette énergie pour chauffer l'eau.

Un réservoir d'eau de 80 gallons [300 litres] fait partie intégrale du chauffe-eau. Une mousse isolante est appliquée sur l'extérieur du réservoir d'eau pour empêcher que la chaleur ne s'échappe. Le boîtier du chauffe-eau est fabriqué en tôle d'acier vernie.

Le réservoir avec revêtement intérieur en émail est soutenu par trois pieds de mise à niveau anti-vibration réglables à trois hauteurs.

Arrière du chauffe-eau



- 9 Évacuation d'air
- 10 Entrée pour le câble électrique

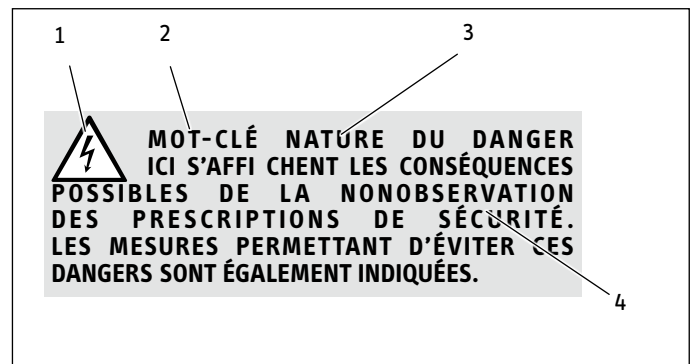
2. Généralités

Le chapitre **Mode d'emploi** est à l'attention des utilisateurs et des installateurs agréés.

Le chapitre **Installation** est uniquement à l'attention des installateurs agréés.

2.1 Légende des symboles

2.1.1 Présentation des informations relatives à la sécurité










- 1 Symbole (voir le chapitre « Symboles »)
- 2 Mot-clé (voir le chapitre « Mots-clés »)
- 3 Désignations (voir le chapitre « Symboles »)
- 4 Explications

MODE D'EMPLOI

GÉNÉRALITÉS

2.1.2 Symboles

Symbole	Description
	Blessure
	Électrocution
	Brûlures ou ébouillantage
	Autres situations
	Incendie
	Explosion
	Mise au rebut du chauffe-eau

2.1.3 Mots-clés

MOT CLÉ	
DANGER	Le mot clé : DANGER signale qu'il faut respecter les informations données, faute de quoi on risque des blessures graves, voire mortelles.
AVERTISSEMENT	Le mot clé : AVERTISSEMENT signale qu'il faut respecter les informations données, faute de quoi on pourrait provoquer des blessures graves, voire mortelles.
ATTENTION	Le mot clé ATTENTION signale qu'il faut respecter les informations données, faute de quoi on risque de provoquer des blessures légères, voire relativement graves.

2.1.4 Symboles dans ce document



Lisez attentivement le texte à côté de ce symbole.

- » Les passages avec ce symbole « » » indique qu'il vous faut agir. Les mesures à prendre sont décrites de manière très détaillée.
- Les passages avec ce symbole « - » vous indiquent des listes

2.1.5 Unités de mesure utilisées dans ce document



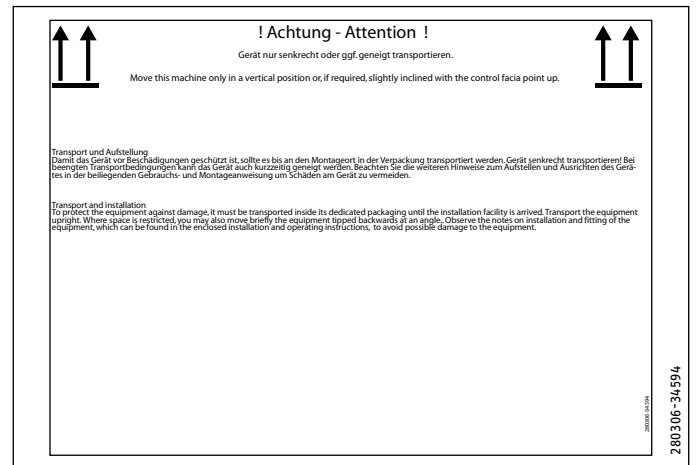
Les dimensions dans ce document sont données en millimètres (pouces).

2.1.6 Renseignements relatifs à l'emballage

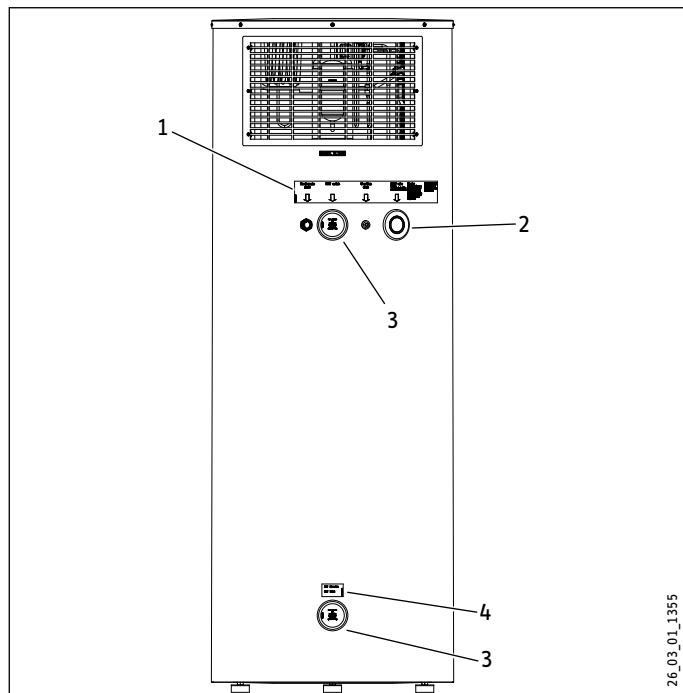
Étiquette « Lourd sur le dessus »



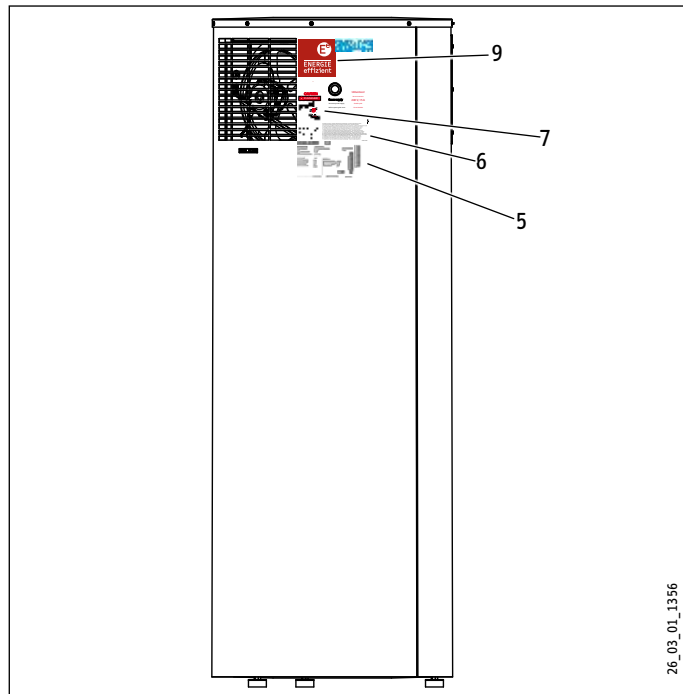
Étiquette « À transporter verticalement »



2.1.7 Renseignements sur le chauffe-eau



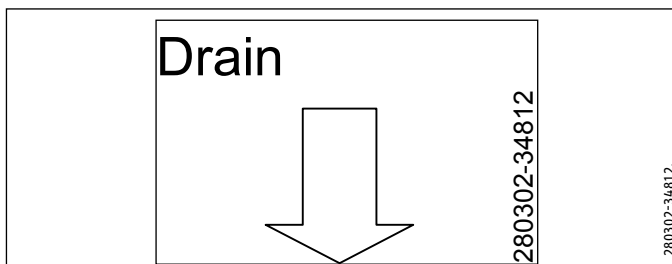
- 1 Étiquette de généralités
- 2 Étiquette « Soupape de décharge »
- 3 Étiquette « Tuyau d'évacuation »
- 4 Étiquette « Admission d'eau froide »



- 5 Plaque signalétique
- 6 Étiquette « Branchement électrique »
- 7 Étiquette « Risque d'ébouillantage »
- 8 Étiquette « Gaz fluorés »
- 9 Étiquette « Efficacité énergétique »

1 Étiquette « Tuyau d'évacuation »

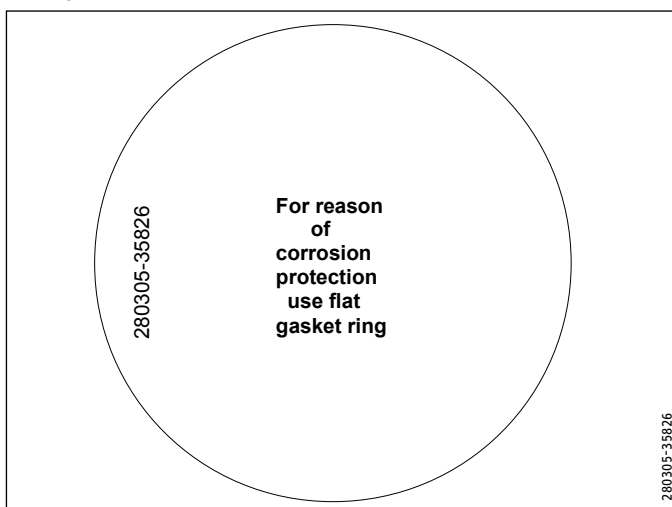
Cette étiquette vous indique l'endroit où se trouve le tuyau d'évacuation du chauffe-eau.



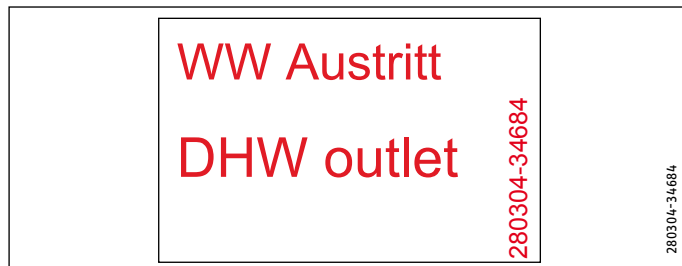
2 Étiquette « Risque d'ébouillantage »



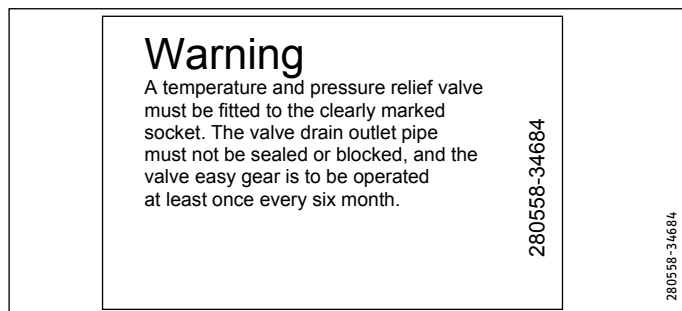
3 Étiquette « Connexion »



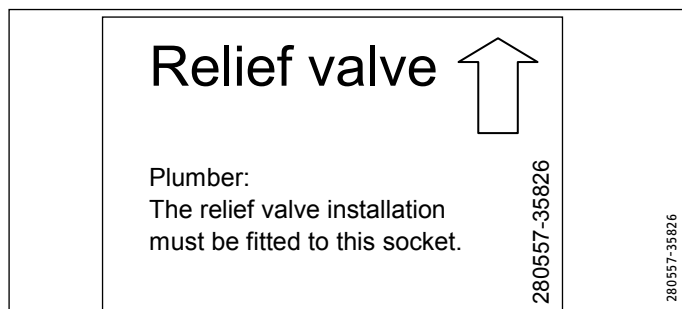
4 Étiquette « Sortie d'eau chaude »



5 Étiquette « Soupape de décharge »



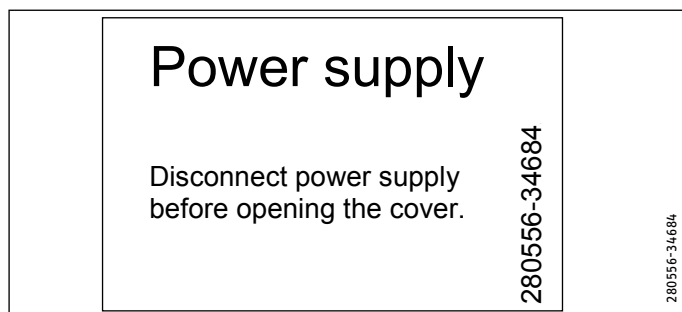
6 Étiquette « Emplacement pour l'installation de la soupape de décharge »



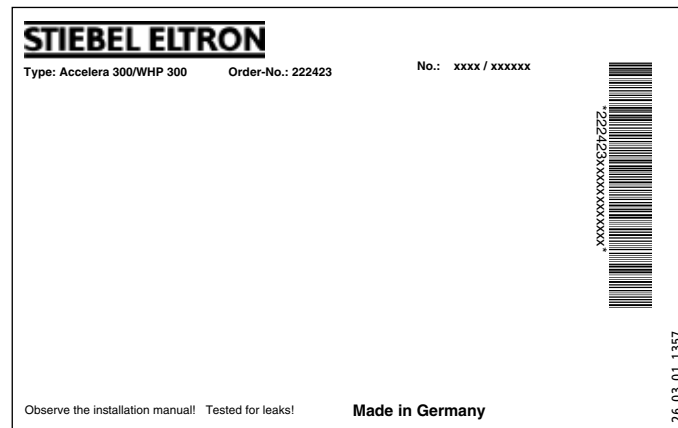
7 Étiquette « Admission d'eau froide »



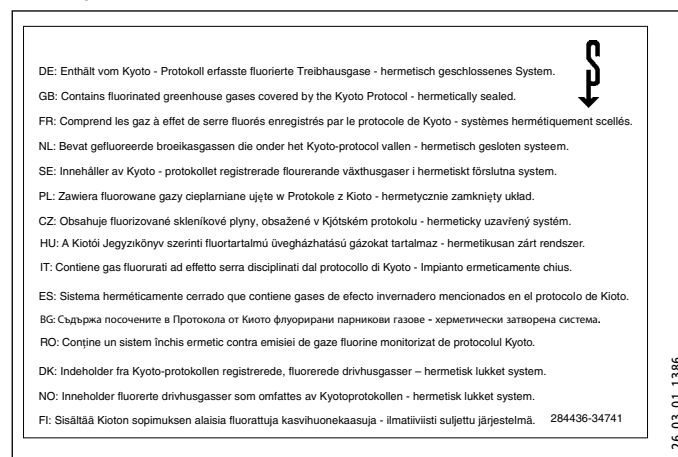
8 Étiquette « Branchement électrique »



9 Plaque signalétique



10 Étiquette « Gaz fluorés »



11 Étiquette « Efficacité énergétique »



Faites en sorte que toutes ces étiquettes restent lisibles. Si les symboles et les renseignements devenaient illisibles, cela pourrait entraîner des situations dangereuses.

3. Sécurité

Ce chapitre donne un survol de toutes les mesures importantes devant être prises pour assurer un fonctionnement sécuritaire et sans problème.

3.1 Généralités relatives à la sécurité

N'utilisez le chauffe-eau que lorsqu'il est entièrement installé avec tout l'équipement de sécurité en place.

Le fait d'utiliser des outils inadaptés à la tâche ou une manipulation incorrecte pourrait endommager le chauffe-eau.



DANGER Ébouillantage

- » L'eau à l'intérieur du réservoir d'eau atteint des températures égales à 60 °C (140 °F). Lorsque les températures à la sortie dépassent 43°C (109 °F), vous risquez de vous ébouillanter.
- » Veillez à ce que l'eau qui s'écoule ne soit pas directement en contact avec votre corps.



ATTENTION Blessure

- » Lorsque des enfants ou des personnes aux capacités physiques, sensorielles ou mentales limitées sont autorisés à utiliser ce chauffe-eau, veillez à ce qu'ils soient sous la surveillance d'une personne responsable de leur sécurité ou qu'on leur ait expliqué le fonctionnement de manière appropriée.
- » Faites en sorte de surveiller les enfants pour vous assurer qu'ils ne jouent pas avec ce chauffe-eau.



Ne posez jamais d'objet sur le chauffe-eau.

Les objets posés sur le chauffe-eau pourraient intensifier le bruit produit par le chauffe-eau du fait des vibrations.



Ne recouvrez jamais le chauffe-eau.

Le chauffe-eau aspire l'air. Le fait de recouvrir les fentes de prise d'air pourrait réduire la quantité d'air aspirée. Cela nuit à l'efficacité du chauffe-eau et pourrait même causer la désactivation du fonctionnement du chauffe-eau par l'un des dispositifs de sécurité.

3.2 Usage prévu

Ce chauffe-eau produit automatiquement de l'eau chaude.

Le chauffe-eau peut être installé et utilisé dans des espaces ouverts comme fermés. La température de l'air aspiré pendant le fonctionnement ne doit pas tomber au-dessous de 6 °C (43 °F).

Tout autre usage au-delà de l'usage décrit sera jugé inapproprié. L'usage correct de ce chauffe-eau comprend également le respect de ces directives.

Toute modification ou conversion de ce chauffe-eau annulera tous les droits dans le cadre de la garantie.

3.3 Utilisation incorrecte

- Les emplois décrits ci-après ne sont pas autorisés :
- Ne chauffez que de l'eau potable
- N'utilisez pas de personnel non qualifié (non-agréé) pour l'installation
- N'utilisez pas dans un milieu avec de l'air gras



Ce chauffe-eau ne doit pas fonctionner dans des températures ambiantes au-dessus de 42 °C (107 °F) ni au-dessous de 6 °C (43 °F). Si l'air admis vient directement de l'extérieur, veillez à ce que le chauffe-eau soit isolé de son alimentation électrique lorsque la température de l'air passe au-dessous de 6 °C (43 °F).

3.4 Qualification du personnel



DANGER Blessure

Une mauvaise manipulation peut être à l'origine de blessures graves et de dégâts matériels. Un personnel insuffisamment qualifié ne peut pas évaluer les dangers potentiels. Il est impératif que l'installation, le démarrage initial, l'entretien et les réparations ne soient exécutés que par des personnes qualifiées conformément aux directives stipulées dans les chapitres respectifs.

Pour le reste de ce manuel, de telles personnes qualifiées seront mentionnées sous le terme « installateur agréé ».

3.5 Équipement de sécurité

Portez des chaussures ou bottes de sécurité lors du transport et de la mise en place du chauffe-eau. À vide, ce chauffe-eau pèse 130 kg (290 lb). Le port de chaussures ou bottes de sécurité réduit le risque de blessure.

3.6 Risques particuliers

3.6.1 Courant électrique



AVERTISSEMENT Choc électrique

- » Le contact avec des pièces sous tension peut être directement fatal. Le fait d'endommager l'isolation ou les pièces individuelles peut être fatal.
- » Si vous remarquez que l'isolation a été endommagée, coupez immédiatement l'alimentation et faites réparer l'appareil.
- » Il est impératif que tous les travaux électriques soient exécutés par un électricien qualifié.

3.6.2 Surfaces chaudes



ATTENTION Brûlures

- » Tout contact avec des pièces chaudes peut entraîner des brûlures.
- » Lorsque vous travaillez à proximité de pièces chaudes, portez des vêtements et des gants de protection.
- » La tuyauterie connectée à la sortie d'eau chaude du chauffe-eau peut atteindre des températures supérieures à 60 °C (140 °F).

3.6.3 Frigorigène

Le chauffe-eau est rempli de frigorigène R134A en usine.



AVERTISSEMENT Brûlures de congélation

En cas de fuite de frigorigène, évitez tout contact avec le frigorigène et évitez de respirer les vapeurs dégagées. Aérez immédiatement la pièce.

Lors du fonctionnement normal du chauffe-eau, le frigorigène est contenu dans un circuit fermé.

4. Description du chauffe-eau

Ce chauffe-eau produit automatiquement de l'eau chaude et possède une capacité d'environ 303 l (80 gal). La température de l'eau chaude est réglée en usine pour atteindre 60 °C (140 °F).

Lorsque que l'on ouvre un robinet d'eau chaude, l'eau chaude est expulsée du chauffe-eau par l'eau froide qui arrive.

Ce chauffe-eau fonctionne comme un appareil de climatisation, mais il n'a pas besoin d'être ventilé. Le chauffe-eau extrait la chaleur de l'air ambiant pour chauffer l'eau. La consommation d'électricité et le temps de chauffage dépend de la température de l'air ambiant et de l'humidité.

Lorsqu'on installe le chauffe-eau à l'intérieur, la température de l'endroit où il doit être installé baissera de 1 à 3 °C (2 à 6 °F).

Le chauffe-eau extrait également l'humidité de l'air ambiant qui crée les condensats qui doivent être évacués ensuite. Pour cela, un tuyau d'évacuation est intégré au chauffe-eau. Vous pouvez brancher un tuyau ici pour l'évacuation.

Pour protéger le réservoir en acier de la corrosion, l'intérieur a été revêtu d'un émail spécial et est doté d'une anode soluble pouvant être remplacée.

Fonction de la thermopompe :

Un circuit fermé à l'intérieur du chauffe-eau contient du frigorigène R134A (Voir « Spécification/Tableau de données »). Ce produit n'a aucun effet négatif sur l'ozone, est ininflammable et s'évapore à basses températures.

Dans l'évaporateur, où la chaleur est extraite de l'air extérieur, le frigorigène aide à la transformer de son état liquide en gaz. Un compresseur aspire le gaz et le comprime. L'augmentation de la pression fait monter la température du frigorigène et chauffe le réservoir d'eau.

Ce processus consomme de l'électricité. L'énergie (la chaleur du moteur) n'est pas perdue mais arrive au condensateur en aval en même temps que le frigorigène comprimé. C'est là que le gaz transfère la chaleur au réservoir d'eau. Un robinet détenteur réduit ensuite la pression et le processus recommence.

4.1 Description des fonctions

4.1.1 Fonctionnement de la thermopompe

La thermopompe située en haut du chauffe-eau extrait l'énergie nécessaire pour le chauffage de l'air ambiant.



Si le chauffe-eau est séparé de l'alimentation électrique pendant le fonctionnement, le compresseur ne redémarrera que si la pression à l'intérieur du circuit du frigorigène a été équilibrée. L'équilibre de la pression ne peut se faire qu'après un délai de 15 minutes.

Temps de marche minimum et temps d'arrêt minimum



L'appareil est fourni avec des connecteurs de conduites dotés de raccords union et de joints plats pour effectuer les connexions aux conduites d'eau froide et d'eau chaude sanitaire :

- Le temps de marche minimum est de 60 minutes.
- Le temps d'arrêt minimum à la suite d'une mise hors service est de 20 minutes.
- L'appareil ne doit pas être mis en marche/arrêté plus de dix fois par jour.
- Le dispositif d'interrupteur externe doit avoir une capacité minimale de coupure de 240 V~ / 16 A.

4.1.2 Chauffage d'appoint

L'eau à l'intérieur du réservoir d'eau est surtout chauffée par la thermopompe.

Lorsque la demande d'eau chaude augmente ou lorsque le chauffe-eau a été désactivé et que vous avez besoin d'eau chaude rapidement, le chauffage d'appoint intégré se mettra en marche. Pour économiser de l'énergie, le chauffage d'appoint ne chauffe que le tiers supérieur du réservoir (environ 102 l [27 gal]).

Un thermostat active le chauffage d'appoint lorsque la température de l'eau à l'intérieur du réservoir tombe au-dessous de 45 °C (112 °F). Un thermostat désactive le chauffage d'appoint lorsque la température de l'eau à l'intérieur du réservoir dépasse 60 °C (140 °F).

4.1.3 Dégivrage

La limite inférieure de la température pour l'utilisation du chauffe-eau est réglée de manière permanente à 6 °C (42 °F). Il est possible qu'à cette température l'évaporateur soit recouvert de givre. Cela dépend de la température ambiante et du degré d'humidité, surtout à des températures d'eau chaudes basses.

Le compresseur sera désactivé dès que la température d'évaporation tombe au-dessous de 7 °C (20 °F). Lorsque la température au niveau des ailettes de l'évaporateur passe au-dessus de 3 °C (38 °F), le compresseur se remet en marche puis le chauffage de l'eau reprend. Le ventilateur continue à tourner pendant le dégivrage.

5. Mode d'emploi

Vous n'avez aucun réglage à faire. Par conséquent, le chauffe-eau n'est doté d'aucune commande. La température de l'eau chaude est réglée en usine pour atteindre 60 °C (140 °F).

Si vous désirez modifier les réglages, adressez-vous à votre installateur agréé le plus proche.



AVERTISSEMENT Ébouillantage

L'eau à l'intérieur du réservoir d'eau atteint des températures égales à 60 °C (140 °F). Lorsque les températures à la sortie dépassent 42 °C (108 °F), vous risquez de vous ébouillanter. Veillez à ce que l'eau qui s'écoule ne soit pas directement en contact avec votre corps.

5.1 Démarrage initial par un installateur agréé

Le démarrage initial doit être effectué par un installateur agréé.

5.2 Démarrage et arrêt

Le chauffe-eau n'a pas d'interrupteur pour l'activer ou le désactiver. Si une prise a été installée lors de l'installation, vous pouvez débrancher le chauffe-eau de l'alimentation en y tirant dessus. Vous pouvez aussi couper le fonctionnement du chauffe-eau en déclenchant le disjoncteur.

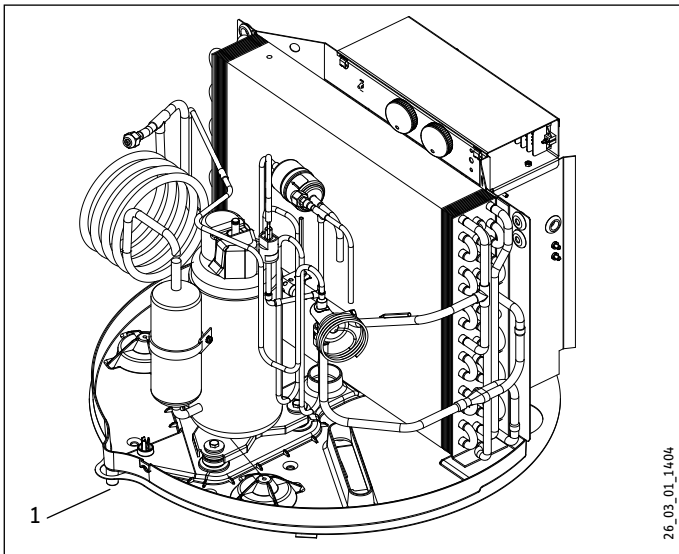
5.3 Arrêt d'urgence

- » En cas d'urgence, procédez comme suit :
- » Isolez l'alimentation électrique en déclenchant le disjoncteur ou en tirant sur la prise électrique.
- » Coupez le robinet d'admission d'eau froide.

6. Maintenance et entretien

Il suffit d'avoir un chiffon humide pour nettoyer l'extérieur du chauffe-eau. N'utilisez jamais de produits nettoyants abrasifs ou corrosifs. N'utilisez jamais un tuyau pour nettoyer le chauffe-eau.

- » Vérifiez une fois par mois que le tuyau d'évacuation n'est pas bouché.
- » Inspectez visuellement le bac à condensats une fois par mois (en haut du chauffe-eau; voir le schéma qui suit). Regardez par la grille d'admission de l'air sur l'avant du chauffe-eau. Avisez, le cas échéant, votre installateur agréé pour qu'il retire toute saleté.



1 Tuyau d'écoulement du bac à condensats

6.1 Détartrage

Le calcaire est séparé de l'eau à hautes températures. Il crée un dépôt à l'intérieur du réservoir. Lorsque le calcaire s'accumule, la quantité d'eau chaude à l'intérieur du réservoir est réduite.

- » Faites détartre le chauffage d'appoint par un installateur agréé à intervalles réguliers. Cela permet de prolonger la durée de vie utile du chauffage d'appoint.
- » Le tartre ne peut pas s'accumuler sur l'élément de la thermopompe.

Un installateur agréé sera familiarisé avec la qualité de l'eau locale et pourra vous indiquer le prochain intervalle d'entretien requis.

- » Faites inspecter l'anode soluble à intervalles réguliers par votre installateur agréé.

7. Que faire si...

7.1 ...Le chauffe-eau ne produit pas d'eau chaude

- » Vérifiez l'alimentation électrique du chauffe-eau.
- » Vérifiez la boîte à fusibles pour détecter tout disjoncteur déclenché.
- » Veillez à ce qu'il y ait un disjoncteur bipolaire 15 A.

Si le disjoncteur a été déclenché, réarmez-le ou remplacez-le. Avertissez votre installateur agréé si le disjoncteur se déclenche à nouveau.

- » Veillez à ce que l'admission et la décharge d'air ne sont pas bouchées.

Une température ambiante trop élevée, l'air aspiré trop chaud (>42 °C [108 °F]) ou une défaillance dans le circuit du frigorigène peuvent entraîner une surcharge du compresseur. L'interrupteur du moteur « réenclenchement automatique » de protection thermique ou l'interrupteur de coupure « réenclenchement manuel » pour limite supérieure peuvent désactiver le compresseur.



Le limiteur de pression de limite supérieure ne peut être réenclenché que par votre installateur agréé après avoir remédié à la défaillance à l'origine du problème.

Après une courte période de refroidissement, l'interrupteur de réenclenchement automatique du moteur pour la protection thermique redémarrera automatiquement le compresseur.

Avertissez votre installateur agréé si le chauffe-eau ne redémarre pas automatiquement.

7.2 ...la soupape de surpression de l'arrivée d'eau froide a des fuites

La pression d'admission de l'appareil ne doit pas dépasser 0,48 Mpa (70 lb/po²), au-delà de laquelle il cesse de fonctionner. L'eau d'expansion s'égoutte de la soupape de surpression pendant le chauffage. C'est tout à fait normal. Avertissez votre installateur agréé si l'eau continue à couler une fois que le réchauffement est terminé.

7.3 ...le tuyau d'écoulement coule goutte à goutte

C'est tout à fait normal et survient toujours lorsque la température en surface de l'évaporateur est inférieure à celle du point de rosée de l'air ambiant.

7.4 ...l'appareil consomme trop d'électricité

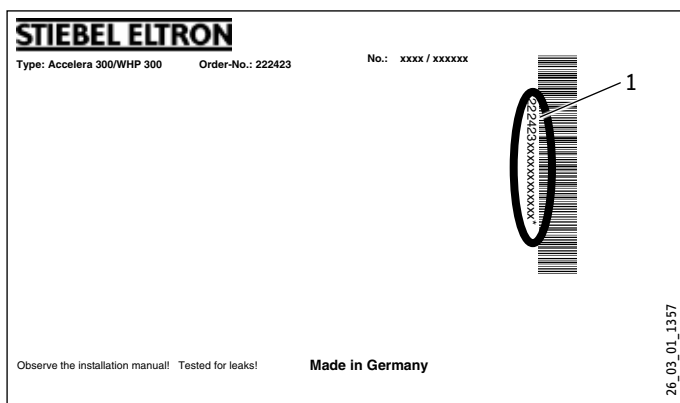
Veillez vous adresser à un installateur agréé.

7.5 ...la température ambiante baisse trop

El funcionamiento del calentador reduce la temperatura del ambiente de 1 a 3°C (de 2 a 6°F). Informar al instalador autorizado si la temperatura del ambiente baja de manera inusual.

7.6 ...en cas d'autres défaillances

Avisez-en votre installateur agréé. Faites référence au numéro du chauffe-eau qui se trouve sur la plaque signalétique à côté du code barre.



1 Numéro du chauffe-eau

8. Sécurité

Seuls les entrepreneurs qualifiés peuvent exécuter l'installation, le démarrage initial, l'entretien et la réparation du chauffe-eau.

8.1 Généralités relatives à la sécurité

N'utilisez que des accessoires et des pièces après-vente d'origine conçus pour ce chauffe-eau.



DANGER Choc électrique

Débranchez le chauffe-eau de l'alimentation électrique avant de l'installer.



AVERTISSEMENT Blessure

Si les conduites à l'intérieur du chauffe-eau sont endommagées, il pourrait y avoir des fuites de gaz frigorigène qui pourraient entraîner de graves brûlures de congélation.

Ne respirez pas le frigorigène. Aérez immédiatement bien la pièce.

» **Portez des lunettes de sécurité et des gants de protection lors de l'installation du chauffe-eau.**



AVERTISSEMENT Blessure

Les pièces en mouvement peuvent blesser.

» **Avant d'ouvrir le chauffe-eau, veillez à ce que le ventilateur ait totalement arrêté de tourner.**

8.2 Utilisation incorrecte

Les emplois décrits ci-après ne sont pas autorisés :

- N'installez pas le chauffe-eau sur un faux plancher
- N'installez pas le chauffe-eau là où il pourrait geler
- N'installez pas dans des pièces où le chauffe-eau serait exposé aux risques d'explosion du fait de la présence de poussières, gaz et vapeurs
- N'ignorez pas les distances de sécurité et les zones de sécurité
- N'installez pas incorrectement la connexion électrique
- Ne faites jamais fonctionner le chauffe-eau avec le réservoir vide
- Ne faites jamais fonctionner le chauffe-eau lorsque son enveloppe est ouverte
- Ne chauffez que de l'eau potable
- Ne remplissez jamais avec d'autres Fréon, n'utilisez que du R134A

8.3 Qualification



AVERTISSEMENT Blessure

Une mauvaise manipulation peut être à l'origine de blessures graves et de dégâts matériels. Un personnel insuffisamment qualifié ne peut pas évaluer les dangers imminents.

Il est impératif que seul le personnel mentionné dans les sections respectives de ce manuel exécute les tâches spécifiques et nécessaires.

Dans ce manuel, de telles personnes qualifiées seront mentionnées sous le terme « installateur agréé ».

Les installateurs agréés sont responsables pour le respect de tous les règlements en vigueur lors de l'installation et du démarrage initial.

8.3.1 Installateur agréé

Les installateurs agréés ont reçu une formation professionnelle particulière. Les installateurs agréés travaillent sur les systèmes en s'appuyant sur leur formation, leur savoir-faire et leur expérience ainsi que leur connaissance des normes et règlements en vigueur. Ils sont capables d'identifier et de prévenir des problèmes potentiels par eux-mêmes.

8.3.2 Électricien (agréé)

Un électricien est un installateur agréé qui satisfait aux exigences décrites ci-dessus en ce qui concerne les installations électriques.

8.3.3 Plombier (agréé)

Un plombier est un installateur agréé qui satisfait aux exigences décrites ci-dessus en ce qui concerne les installations impliquant des travaux avec l'eau.

8.3.4 Service clientèle

Pour les questions concernant le service à la clientèle, veuillez vous adresser directement à Stiebel Eltron en composant le 1-800-582-8423, poste 25 ou 33.

8.4 Directives, normes et règlements



Respectez tous les codes locaux, provinciaux et fédéraux en vigueur.

Respectez les règlements relatifs aux services publics d'approvisionnement en eau et énergie, en vigueur.

Il faut tenir compte des normes suivantes :

UL 499, UL 1995, UL 94-5 VA, UL 174

IEC 60335-1-2-40, IEC 61000-3-2; 1995

IEC 61000-3-3, IEC 55014-1 IEC 55014-2

EMC Directive 89/336/EEC

EN 255 T3

Lisez la plaque signalétique du chauffe-eau et le chapitre intitulé « Spécification ».

8.5 Raccordement à l'eau

L'utilisation des matériaux suivants est autorisée :

- Conduite d'eau froide : Tuyauterie en acier, cuivre ou plastique.
- Conduite d'eau chaude : Tuyauterie en cuivre ou plastique.
- » Veuillez à ce qu'aucune souillure n'entre dans le chauffe-eau par l'intermédiaire des tuyauteries.

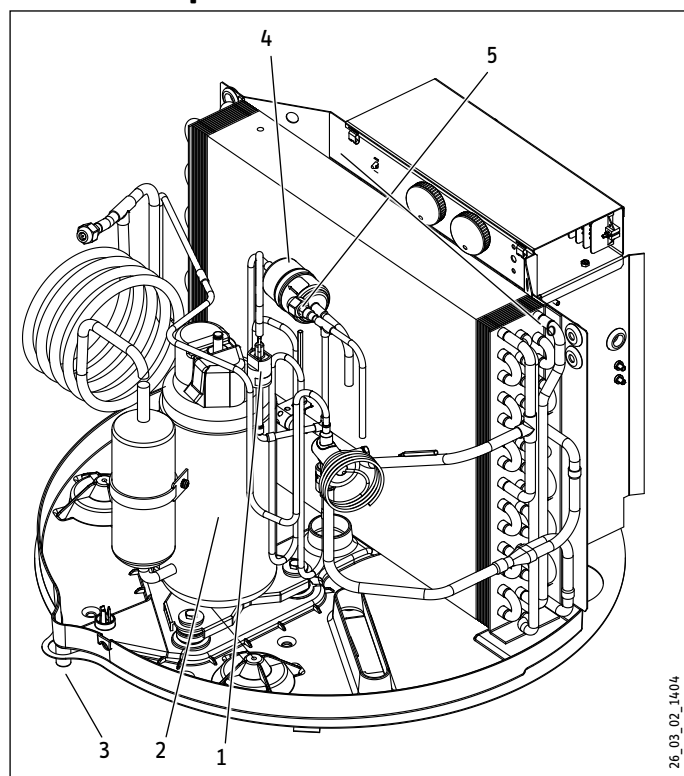
8.6 Connexions électriques

Protégez le chauffe-eau électriquement avec un disjoncteur bipolaire 15 A.

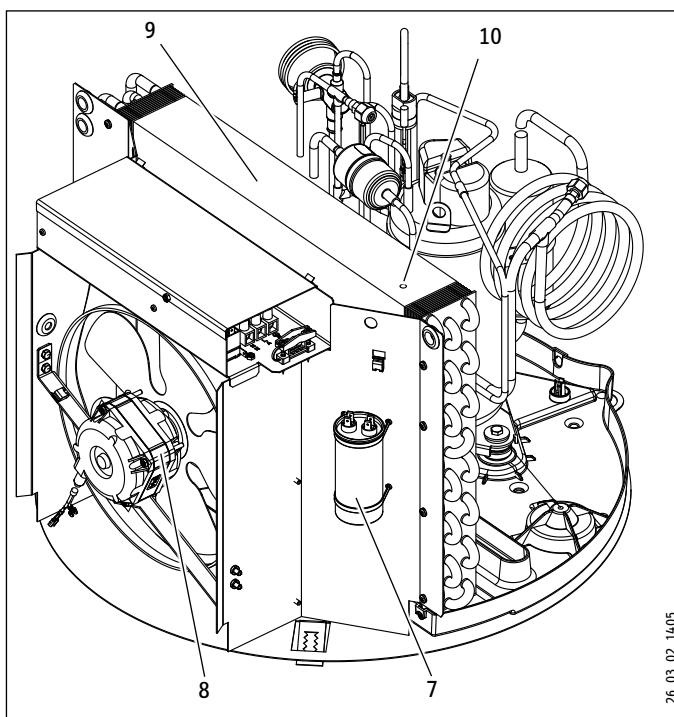
Lorsque le chauffe-eau est branché de manière permanente à l'alimentation principale, il faut pouvoir le séparer de l'alimentation électrique réseau par le biais d'un sectionneur d'isolation qui permet de déconnecter tous les pôles grâce à une séparation de contact d'au moins 3 mm (0,12 po). Pour cela, utilisez les contacteurs, les disjoncteurs, les fusibles, etc. sur place.

En cas de défaillance, l'équipement de sécurité déclenche le circuit électrique en question.

9. Description du chauffe-eau



- 1 Interrupteur de sécurité de limite supérieure - réenclenchement manuel
- 2 Compresseur
- 3 Tuyau d'écoulement
- 4 Filtre déshydrateur
- 5 Robinet de service, haute pression
- 6 Anode soluble



- 7 Capaciteur
- 8 Ventilateur
- 9 Évaporateur
- 10 Capteur de dégivrage



La température du thermostat de l'eau chaude est réglée en usine.

Lorsque les clients exigent une température plus basse pour l'eau chaude, les réglages du thermostat pour la pompe de chaleur et du chauffage d'appoint peuvent être réduits.

Une anode soluble est installée en haut du chauffe-eau. (6)

9.1 Livraison normale

- Chauffe-eau thermodynamique Accelera® 300
- Deux adaptateurs de raccordement à 3/4 po
- Deux joints de raccordement
- Coude du tuyau d'écoulement
- Deux couvercles de compression en cuivre
- Soupape T&P 100 lb/po²

9.2 Accessoires spéciaux

Description	Numéro de pièce
Anode	278235
Anode fractionnée	143498

10. Transport



Il est crucial de respecter les renseignements suivants relatifs au transport de l'appareil pour s'assurer qu'il est transporté en toute sécurité.



Nous recommandons de transporter cet appareil en position verticale.

- » Transporter l'appareil dans son emballage d'origine pour le protéger contre tout dommage.
- » Transporter cet appareil en position droite.

10.1 Transporter en position horizontale

L'appareil peut aussi être transporté horizontalement sur de courtes distances, si les routes sont en bon état. Respecter les directives suivantes:

- Veiller à ce qu'aucune pression ne soit appliquée sur l'emballage.
- Même dans l'emballage, ne jamais poser d'objets ou d'appareils sur cet appareil.

10.1.1 Positionner sur le côté d'admission d'air.

Le côté d'admission d'air de l'appareil est identifié sur l'emballage avec une étiquette.

- » Veiller à ce que le côté d'admission d'air de l'appareil soit dirigé vers le bas si l'appareil est transporté horizontalement.

11. Installation



ATTENTION Blessure

Une mauvaise installation peut être à l'origine de blessures graves et de dégâts matériels. Avant d'installer l'appareil, veillez à avoir suffisamment de place pour les travaux à exécuter. Manipulez les pièces avec des chants acérés avec précaution.



Le boîtier en tôle d'acier du chauffe-eau n'est pas conçu pour supporter des chocs importants. Manipulez et installez le chauffe-eau avec soin.

11.1 Emplacement de l'installation



DANGER Explosion

N'installez jamais dans des pièces où le chauffe-eau serait exposé aux risques d'explosion du fait de la présence de poussières, gaz et vapeurs.



AVERTISSEMENT Blessure

La pièce où le chauffe-eau sera installé doit avoir un plancher portant. Si le substrat n'est pas suffisamment portant, le chauffe-eau pourrait passer à travers le plancher. Une fois rempli, ce chauffe-eau pèse 430 kg (950 lb).

Si le plancher n'est pas suffisamment portant, le chauffe-eau pourrait passer à travers le plancher ce qui pourrait avoir des conséquences fatales.



Risque de dommages causés par le gel
N'installez le chauffe-eau que dans un endroit sans risque de gel. Lorsque le chauffe-eau n'est pas utilisé et qu'il y a un risque de gel, l'eau à l'intérieur du réservoir d'eau peut geler et endommager le réservoir.

- N'installez jamais le chauffe-eau là où la température ambiante tombe régulièrement au-dessous de 6 °C (42 °F) ou dépasse 42 °C (108 °F).
- Pour éviter toute nuisance sonore lors du fonctionnement, n'installez jamais le chauffe-eau à proximité de chambres à coucher. Évitez que la pollution sonore ne gêne vos voisins.
- Laissez suffisamment de place autour du chauffe-eau pour l'installation, l'entretien et le nettoyage.

Dans le cas d'installations internes, veuillez respecter les conditions ci-après :

- La surface au sol dans la pièce d'installation doit être d'au moins 6 m² (10 pi x 10 pi - 100 pi²). Le volume de la pièce ne peut être inférieur à 13 m³ (500 pi³).
- Le chauffe-eau ne doit pas être restreint par des murs ou le plafond. Les distances minimales autorisées sont indiquées dans le chapitre « Mise en place du chauffe-eau / Conditions de mise en place » (voir chapitre 10.5, « Mise en place du chauffe-eau »).
- Notez que la température de la pièce va baisser de 1 à 3 °C (2 à 6 °F) du fait du fonctionnement du chauffe-eau.
- Lorsque vous installez le chauffe-eau dans la chaufferie, assurez-vous que le fonctionnement de l'appareil de chauffage de votre résidence n'en sera pas perturbé.
- Pour garder les conduites aussi courtes que possible, nous suggérons d'installer le chauffe-eau près de la cuisine ou de la salle de bains.

11.2 Inspection de l'emballage d'expédition

- » Lors de la réception de l'appareil, vérifiez que vous avez tout reçu et qu'il n'a subi aucun dommage lors du transport.

Si vous détectez des dommages causés lors du transport, procédez comme suit :

- N'acceptez pas la livraison ou seulement en rédigeant des réservations.
- Notez l'ampleur des dégâts sur les documents de livraison ou sur le feuillet de livraison du prestataire.
- Lancez une réclamation.



Avertissez immédiatement le prestataire des dommages détectés.

Aviser-le dès que les dommages ont été identifiés. Les réclamations ne seront acceptées que pendant la période de réclamation en vigueur.

11.3 Manipulation



ATTENTION Risque de blessures à cause du poids

À vide, ce chauffe-eau pèse 130 kg (290 lb). Utilisez les équipements appropriés et suffisamment de personnel lorsque vous manipulez ce chauffe-eau.



Toute manipulation incorrecte pourrait entraîner des dommages. Une mauvaise manipulation peut être à l'origine de dégâts matériels importants. Respectez les renseignements imprimés sur l'emballage. Retirez l'emballage juste avant l'installation.



Si l'appareil était renversé, cela pourrait entraîner des dommages. Le chauffe-eau possède un centre de gravité élevé et un moment de renversement faible. Protégez le chauffe-eau pour éviter qu'il ne se renverse. Ne placez le chauffe-eau que sur un substrat de niveau.

Pour protéger le chauffe-eau contre tout dommage, il doit être transporté verticalement à l'intérieur de son emballage. Lorsque vous n'avez pas beaucoup de place, vous pouvez aussi l'incliner (maximum à 45 °) très rapidement pour le déplacer.

11.4 Entreposage

Lorsque c'est nécessaire d'entreposer le chauffe-eau avant de l'installer pendant un certain temps, respectez les mesures suivantes :

- Entrez le chauffe-eau dans un milieu sec et sans poussière.
- Évitez que le chauffe-eau n'entre en contact avec des matériaux agressifs. Évitez que le chauffe-eau soit exposé à des chocs ou à des vibrations.
- En cas d'entreposage prolongé, vérifiez l'état du chauffe-eau et de son emballage à intervalles réguliers.

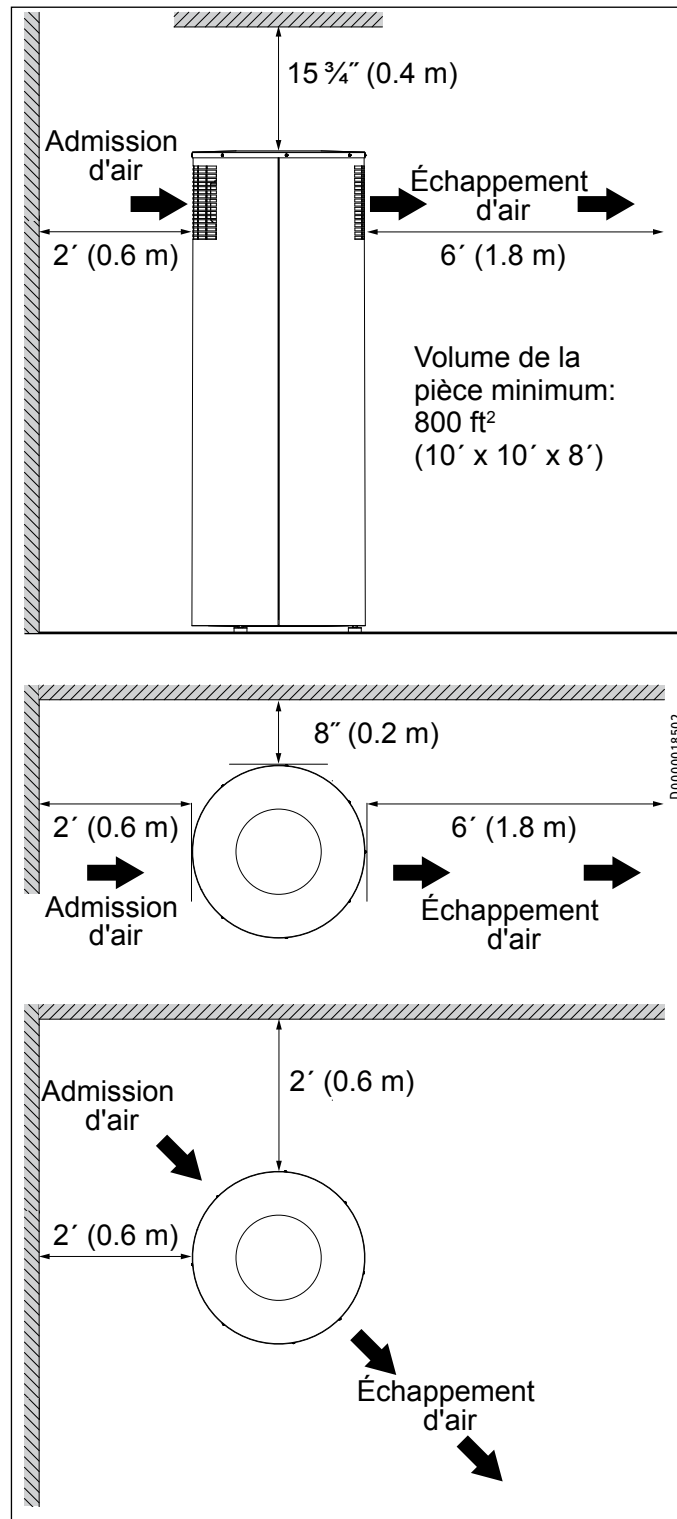
11.5 Positionnement du chauffe-eau

» Placez le chauffe-eau avec sa palette en bois à l'endroit où il sera installé.

Installez le chauffe-eau de sorte qu'il y ait suffisamment de place à côté des grilles à air (voir les schémas ci-après).

11.5.1 Conditions d'installation

Il est important pour l'entretien ultérieur du chauffe-eau qu'il y ait suffisamment de place au-dessus de celui-ci.



» Mettez le chauffe-eau à niveau horizontalement en réglant les pieds.

11.6 Retrait du chauffe-eau de l'emballage



Veillez à ce que le matériau de l'enveloppe dans la partie inférieur ne soit pas endommagé.



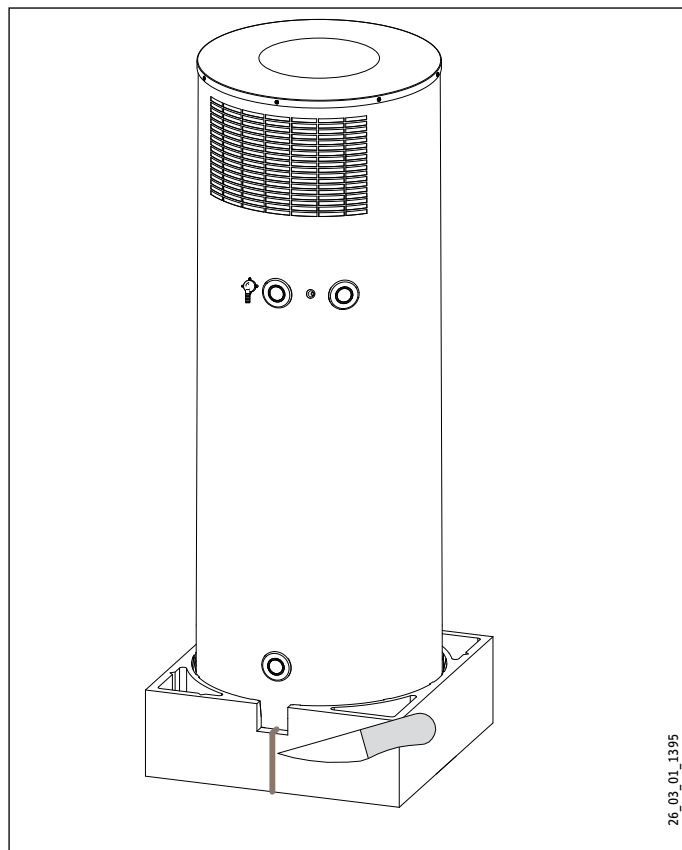
Conseil – Plus le chauffe-eau reste longtemps dans son emballage en aluminium et plus il sera protégé contre tout dommage.

- » Retirez les courroies de l'emballage.
- » Poussez l'emballage en aluminium suffisamment vers le haut pour accéder librement à la palette.
- » Retirez délicatement le chauffe-eau avec son emballage en polystyrène® de la palette.

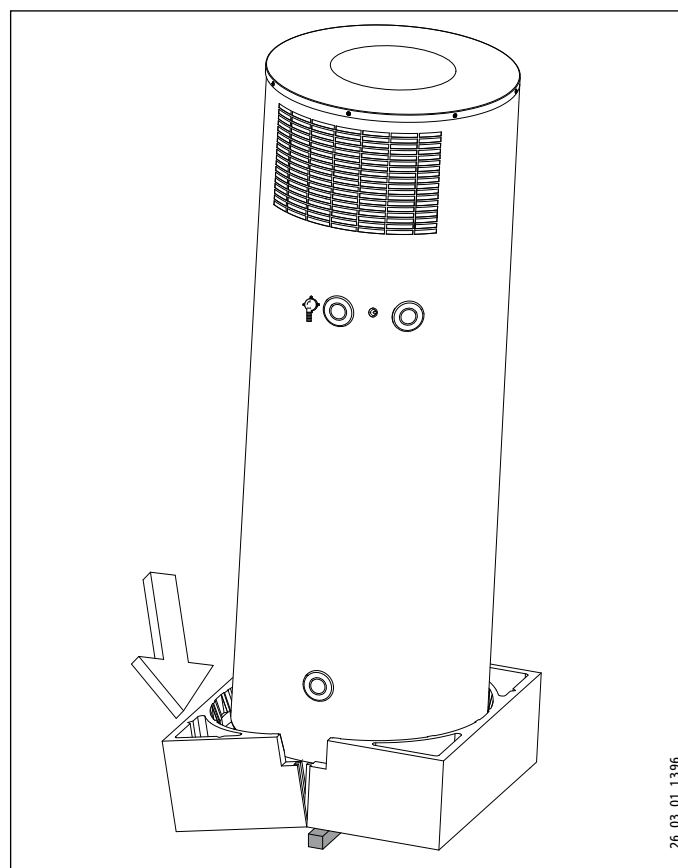


DANGER Blessure en cas de basculement
Le chauffe-eau possède un centre de gravité élevé et un moment de renversement faible. Veillez à ce que le chauffe-eau ne se renverse pas lorsque vous le retirez de sa palette.

- » Faites glisser l'emballage en aluminium suffisamment vers le haut pour pouvoir retirer les premiers coins en polystyrène® des côtés. Ces coins en polystyrène® sur les côtés sont utilisés comme accessoires d'installation lors des étapes suivantes.



- » Séparez la partie inférieure de l'emballage au niveau de la ligne de démarcation. Pour cela, faites une incision d'environ 30 mm (1,25 po) des deux côtés de la ligne de démarcation.

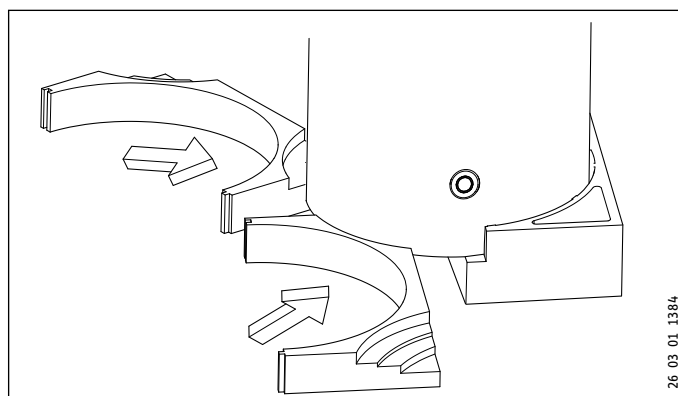


- » Inclinez légèrement le chauffe-eau.



DANGER Blessure en cas de renversement
Évitez que le chauffe-eau ne se renverse en demandant à une autre personne le soutien.

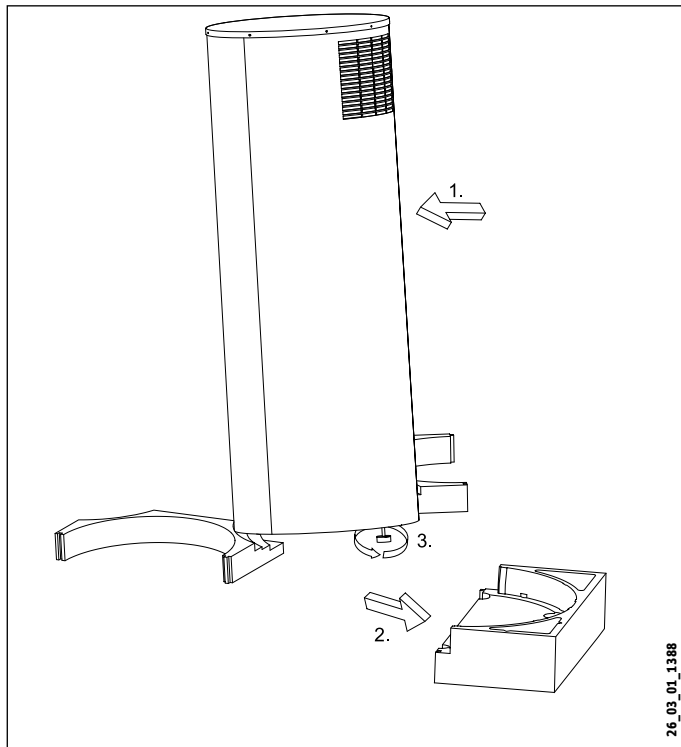
- » Poussez le socle en bois sous la partie inférieure de l'emballage.
- » Coupez la demi-coque libre de la partie inférieure de l'emballage.
- » Gardez le chauffe-eau légèrement incliné.
- » Dévissez le pied de mise à niveau libre de 30 mm au maximum (1,1 po).
- » Tournez l'écrou bloquant sur le filet du pied de mise à niveau vers le couvercle inférieur. Lorsque l'écrou bloquant est bien serré sur le couvercle inférieur, il stabilise le pied de mise à niveau.



INSTALLATION

INSTALLATION

- » Poussez deux accessoires d'installation en polystyrène® avec le coin en forme de marche sous le chauffe-eau. Le chauffe-eau est ensuite posé et incliné dans cette pièce moulée. Veillez ne pas poser le chauffe-eau dans la zone du chant du joint de l'enveloppe en tôle d'acier, mais au moins à 150 mm (6 po) de là.



- » Inclinez le chauffe-eau qui a été posé sur les accessoires d'installation en polystyrène®.
- » Retirez la demi-coque du plancher restante.
- » Avec le chauffe-eau encore incliné, dévissez le deuxième et le troisième pieds de mise à niveau de 30 mm au maximum (1,1 po).
- » Dans les deux cas, serrez l'écrou bloquant contre le couvercle inférieur.
- » Mettez le chauffe-eau à niveau sur les trois pieds de mise à niveau.
- » Mettez le chauffe-eau à niveau verticalement en réglant les trois pieds de mise à niveau.
- » Retirez le reste de l'emballage.
- » Installez le coude du tuyau d'évacuation.

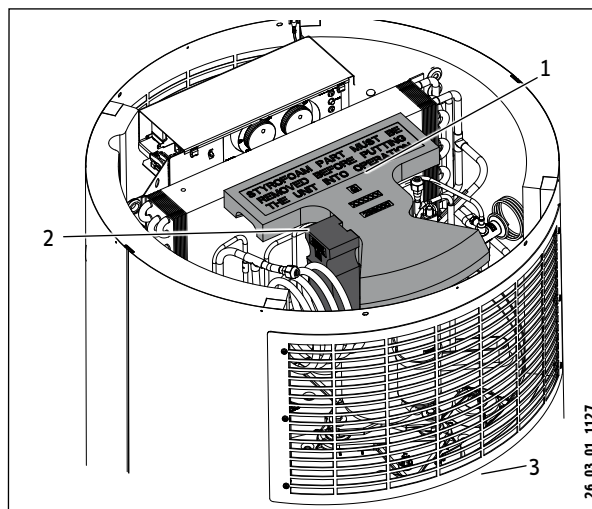
11.7 Retirer le verrou de transport

L'unité de la thermopompe de l'appareil est dotée d'un verrou de transport en deux parties. Le verrou de transport doit être retiré avant que l'appareil soit installé.



En état de livraison, le couvercle de l'appareil n'est maintenu en place qu'avec 4 vis. Les vis qui restent pour le couvercle de l'appareil se trouvent dans un sac en plastique fourni avec l'appareil dans la section inférieure de l'emballage de l'appareil.

- » Dévisser les 4 vis dans le couvercle de l'appareil et retirer le couvercle pour ouvrir l'appareil.
- » Retirer la notice relative au transport sécuritaire qui est attaché entre l'enveloppe de l'appareil et le couvercle.



- 1 Verrou de transport - 1e partie
- 2 Verrou de transport - 2e partie
- 3 Admission d'air

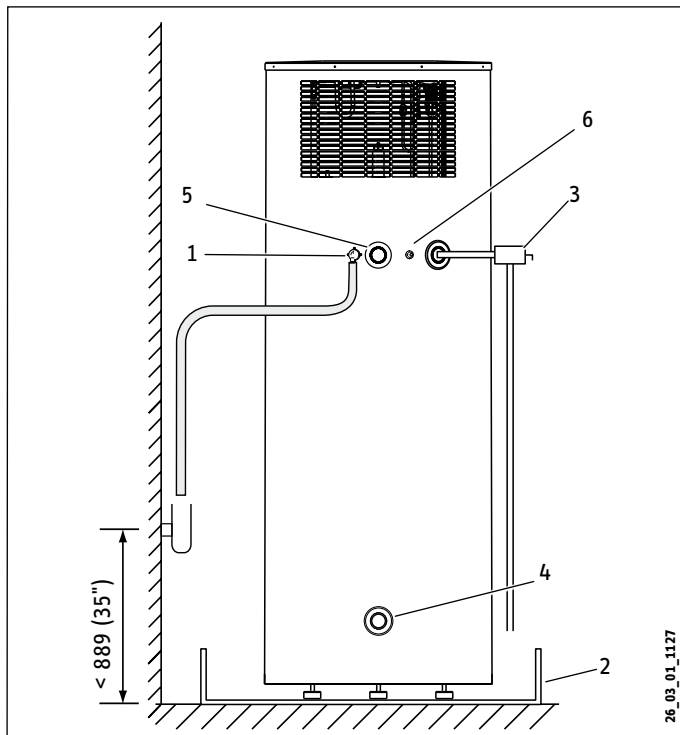
- » Retirer délicatement la deuxième partie du verrou de transport en la sortant délicatement de la première partie du verrou de transport.
- » Retirer la première partie du verrou de transport.
- » Veiller à ce qu'il n'y ait aucun emballage qui reste dans l'appareil.
- » Vérifier la thermopompe pour détecter tout signe de dommage qui serait survenu lors du transport.
- » Remettre le couvercle sur l'appareil et le fixer à l'aide des huit vis fournies.



Ne jamais mettre l'appareil en service immédiatement après avoir sorti le verrou de transport.

- » Attendre au moins une heure avant de mettre l'appareil en service.

11.8 Tuyau d'écoulement



- 1 Tuyau d'écoulement ou
- 2 Bac à condensats connecté à l'évacuation
- 3 Soupape T&P
- 4 Raccordement eau froide
- 5 Raccordement eau chaude
- 6 Débordement de condensats

Le bac à condensats se trouve en bas du chauffe-eau. Vous pouvez brancher un tuyau ici pour l'évacuation.

Lorsque vous installez l'appareil à l'extérieur, le condensat peut s'écouler librement.

En cas d'installation à l'intérieur, le condensat doit être dirigé vers un drain au niveau du sol ou le long du mur sur une longueur maximale de 889 mm (35 po) (voir le schéma ci-dessus).

Installez, le cas échéant, une pompe à condensats.



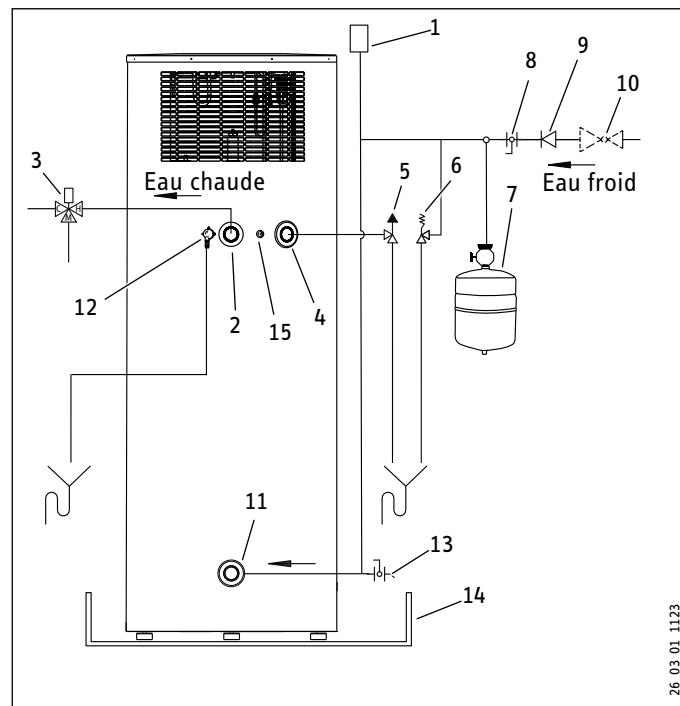
Pour assurer un bon écoulement des condensats, ne pliez jamais le tuyau.

11.9 Raccordement de l'eau

Il est impératif que tous les travaux de raccordement de l'eau soient exécutés par un plombier agréé qualifié.

Le raccordement de l'eau froide doit se faire conformément à la norme DIN 1988 (ou aux codes en vigueur au niveau provincial et local).

» Avant d'installer le chauffe-eau, purgez bien la conduite.



- 1 Brise-vide
- 2 Connexion d'eau chaude (adaptateur de raccordement à 3/4 po)
- 3 Mitigeur (fourni par l'installateur)
- 4 Connexion pour la soupape T & P 3/4 po
- 5 Soupape T & P 3/4 po, 0,69 MPa à 99 °C (100 lb/po² à 210 °F) (fournie avec l'appareil)
- 6 Soupape de décharge 0,551 MPa (80 lb/po²) (en option, fournie par l'installateur)
- 7 Vase d'expansion (fourni par l'installateur)
- 8 Vanne d'isolement deux voies (fournie par l'installateur)
- 9 Clapet antiretour (fourni par l'installateur)
- 10 Robinet de pression 0,48 MPa (80 lb/po²) (fourni par l'installateur)
- 11 Connexion d'eau froide (avec adaptateur de raccordement à 3/4 po)
- 12 Tuyau d'écoulement (coude fourni avec l'appareil)
- 13 Robinet de purge (fourni par l'installateur)
- 14 Bac à condensats (fourni par l'installateur)
- 15 Débordement de condensats

- » Retirez le capuchon protecteur en plastique des connecteurs.
- » Faites le raccordement avec la tuyauterie.



Risque de dommages du fait de la corrosion
Pour protéger contre le risque de corrosion, faites la connexion avec des joints plats.

- » Isolez la conduite d'eau chaude pour éviter les pertes de chaleur.

INSTALLATION

INSTALLATION

- » Installez un robinet de purge à l'endroit le plus bas de l'alimentation de l'eau froide.

Installez un robinet de pression 0,48 MPa (70 lb/po²) sur l'admission d'eau froide.

Maintenez précisément l'ordre des raccords sur le côté eau froide (voir schéma 10.7).

11.9.1 Soupape de surpression (fournie sur le chantier)

Ce chauffe-eau est un appareil étanche. Il faut installer une soupape T&P de 0,69 MPa à 99 °C (100 lb/po² à 210 °F).

Lorsque vous installez la soupape T&P, veuillez respecter les conditions ci-après :

- Identifiez la dimension de la conduite d'évacuation de sorte que l'eau puisse être totalement évacuée, même si la soupape de surpression n'est pas entièrement ouverte.
- La sortie d'évacuation ne doit pas pouvoir être fermée et doit toujours rester ouverte.
- La soupape T&P doit rester ouverte à une pression de 0,69 MPa (100 lb/po²) et avoir un filet de 3/4 po.
- Soupape T&P (fournie sur le chantier)

11.9.2 Válvula de T&P (provisión en el lugar)



AVERTISSEMENT Risque de blessure en cas de pression et de températures excessives

Installez l'équipement de sécurité qui satisfasse aux règlements en vigueur pour le lieu d'installation. Dans tous les cas, installez une soupape de décharge de pression et température (décharge T&P) conforme aux exigences de la norme ANSI Z21.22 (« Requirements for Relief Valves and Automatic Gas Shut-off Water heaters for Hot Water Supply Systems »).

La soupape T&P doit réagir à une pression de 0,69 MPa (100 lb/po²). Enfoncez la soupape T&P dans l'ouverture à la circonférence du chauffe-eau indiquée.

Veillez à ce que toute eau évacuée ne puisse pas entrer en contact avec les pièces sous tension et ne s'écoule pas sur des surfaces sensibles. Veillez à ce que la sortie de la soupape T&P reste dégagée à tout moment.

11.10 Configuration électrique : Disjoncteur bipolaire 240 V / 15A

Il est impératif que tous les travaux de configuration électrique soient exécutés par un électricien qualifié.

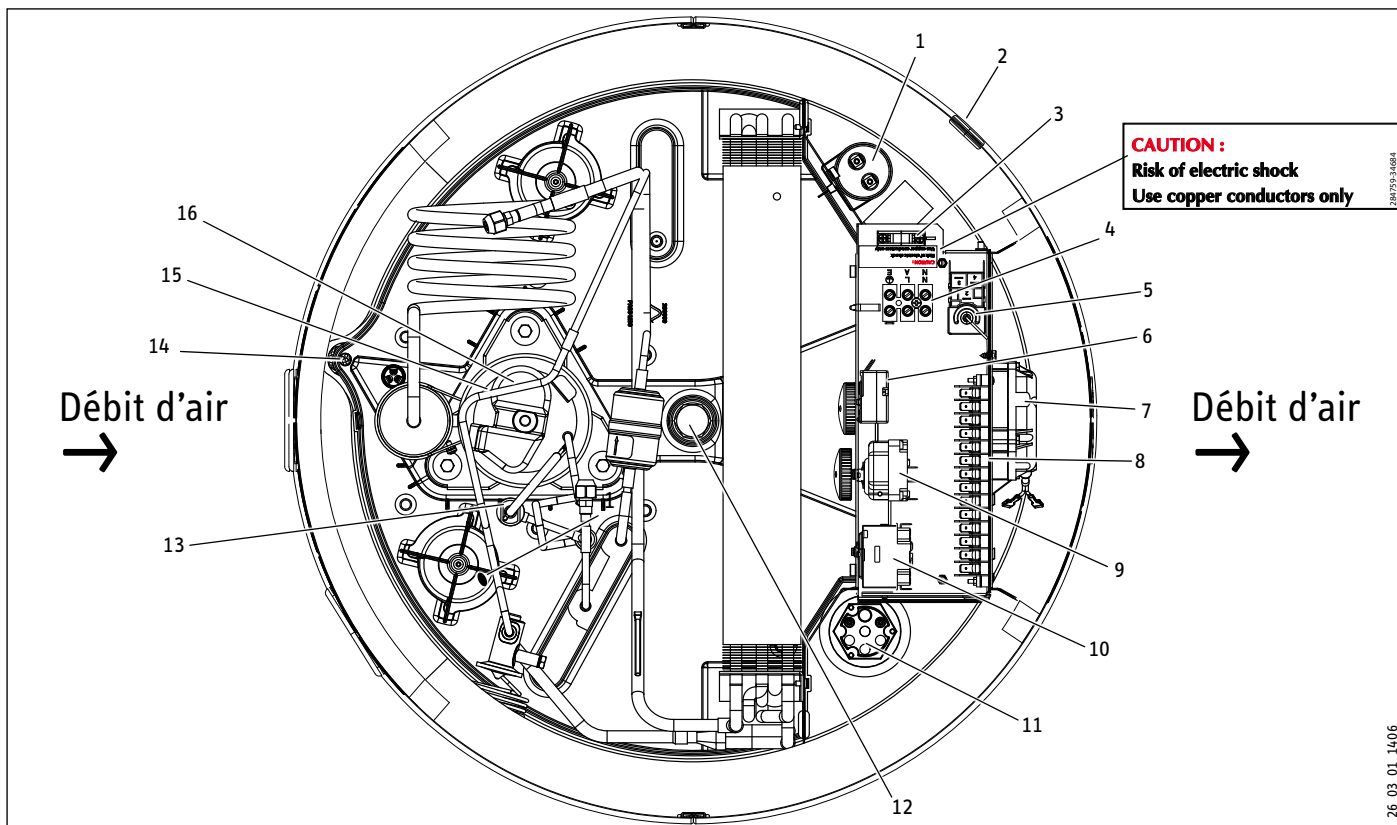


DANGER Choc électrique
Tout contact avec des pièces sous tension peut être fatal.

- » Débranchez le chauffe-eau de l'alimentation électrique avant d'exécuter des travaux sur le panneau de commande.
- » Veillez à ce que personne ne puisse reconnecter l'alimentation pendant que vous effectuez vos travaux.

Lorsque vous faites la connexion, utilisez des déconnexions conformes au code.

- » Dévissez les vis et retirez le couvercle du chauffe-eau.



- | | |
|--|---|
| <ul style="list-style-type: none"> 1 Capaciteur 2 Entrée du câble dans l'enveloppe du chauffe-eau 3 Délestage (serre-fils) 4 Bornier de raccordement réseau 5 Contrôleur antigel 6 Thermostat de commande de la thermopompe 7 Moteur de ventilateur 8 Bornier de la thermopompe 9 Thermostat, Chauffage d'appoint | <ul style="list-style-type: none"> 10 Interrupteur de sécurité de limite supérieure, chauffage d'appoint, réenclenchement manuel (voir 14.1.1) 11 Chauffage d'appoint 12 Anode soluble 13 Limiteur de pression de sécurité, réenclenchement manuel (voir 14.1.2) 14 Tuyau d'écoulement du bac à condensats 15 Compresseur 16 Protection du moteur de compresseur (Klixon), réenclenchement automatique à retardement (voir 14.1.3) |
|--|---|

- » Tirez le câble par l'entrée de câble vers l'intérieur du chauffe-eau
- » Faites passer le câble vers le délestage (serre-fils).
- » Connectez le câble au bornier de raccordement réseau conformément au schéma de câblage (voir chapitre 16.2 « Schéma de câblage » L1, L2 et terre).



AVERTISSEMENT Choc électrique
Risque de blessure du fait d'une mauvaise mise à la terre.

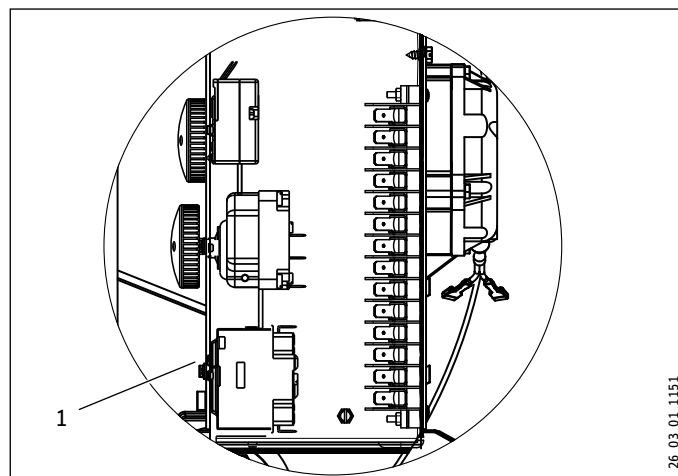
- » **Veillez à ce que le chauffe-eau soit bien mis à la terre conformément aux exigences du lieu d'installation.**

Le conducteur terre du câble doit être connecté au bornier marqué « G » ou terre.

11.10.1 Interrupteur de sécurité de limite supérieure

À des températures ambiantes inférieures à -10 °C (14 °F), par exemple pour l'expédition ou l'entreposage, l'interrupteur de sécurité de limite supérieure peut se déclencher.

Appuyez sur le bouton de réenclenchement pour réenclencher l'interrupteur de sécurité de limite supérieure. Pour cela, il faut d'abord retirer le couvercle du chauffe-eau.



- 1 Bouton de réenclenchement pour l'interrupteur de sécurité de limite supérieure

INSTALLATION

DÉMARRAGE RAPIDE

12. Démarrage rapide

12.1 Démarrage rapide

Seuls les installateurs approuvés, agréés, peuvent exécuter le démarrage initial de ce chauffe-eau et expliquer à l'utilisateur son mode d'emploi.

- » Remplissez et ventilez le chauffe-eau. Pour cela, ouvrez l'alimentation en eau froide et un robinet d'eau chaude.
- » Rincez soigneusement le chauffe-eau.
- » Vérifiez les soupapes de surpression. Expliquez à l'utilisateur qu'il est possible que l'eau s'égoutte de la soupape de surpression pendant que l'eau se réchauffe.
- » Branchez l'alimentation en réenclenchant le disjoncteur.



Ce chauffe-eau ne doit pas fonctionner dans des températures ambiantes au-dessous de 6 °C (43 °F) ni au-dessus de 42 °C (107 °F).

12.2 Désactivation

Le chauffe-eau ne peut être désactivé qu'en déconnectant l'alimentation électrique.

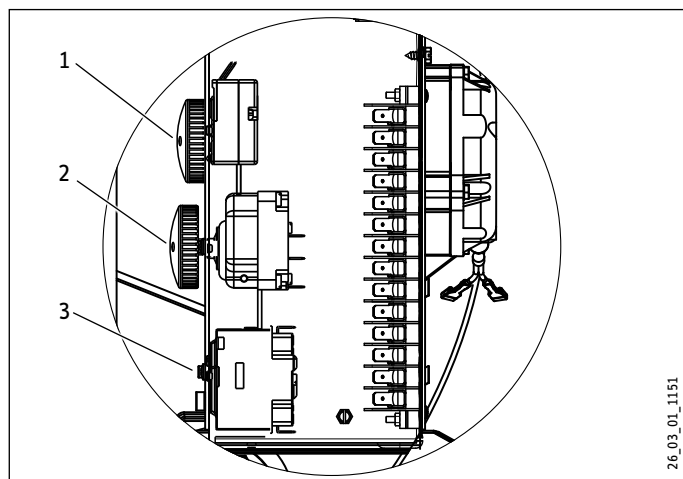
12.3 Redémarrage

Si l'alimentation a été coupée ou interrompue, patientez 15 minutes avant de réactiver l'appareil.

13. Réglages

13.1 Ajuster la température de l'eau

La température de l'eau ne peut être réglée que par un installateur agréé, car le couvercle doit être retiré du chauffe-eau.



- 1 Thermostat, fonctionnement de la thermopompe
- 2 Thermostat du chauffage d'appoint
- 3 Interrupteur de sécurité de limite supérieure

La température est réduite en tournant le thermostat dans le sens antihoraire.

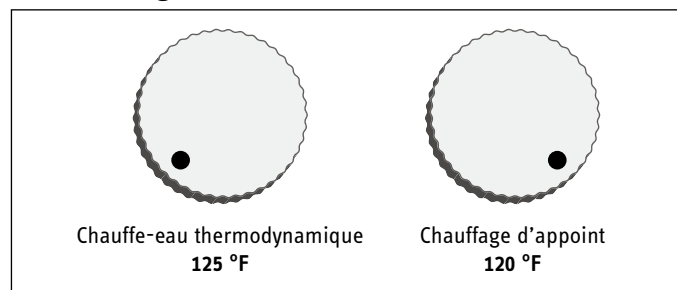


Réglez les deux thermostats au même réglage. La consommation d'énergie va augmenter si la température du thermostat de la thermopompe est réglée plus bas que celle du chauffage d'appoint.

Veillez à ce que les deux thermostats aient la même température paramétrée.

La consommation d'énergie va augmenter si la température du thermostat de la thermopompe est réglée plus bas que celle du chauffage d'appoint. **Le chauffage d'appoint doit être réglé à une température égale ou inférieure à celle de la thermopompe.**

13.2 Configurations de thermostat



14. Transfert du chauffe-eau à un tiers

- » Expliquez les fonctions de l'appareil à la personne qui va l'utiliser. Attirez en particulier l'attention de votre interlocuteur sur les renseignements relatifs à la sécurité.
- » Remettez le mode d'emploi à la personne qui va l'utiliser.

15. Dépannage



AVERTISSEMENT Choc électrique

Avant de commencer les travaux sur le chauffe-eau, déconnectez toujours l'alimentation électrique.

15.1 Équipement de sécurité du chauffe-eau

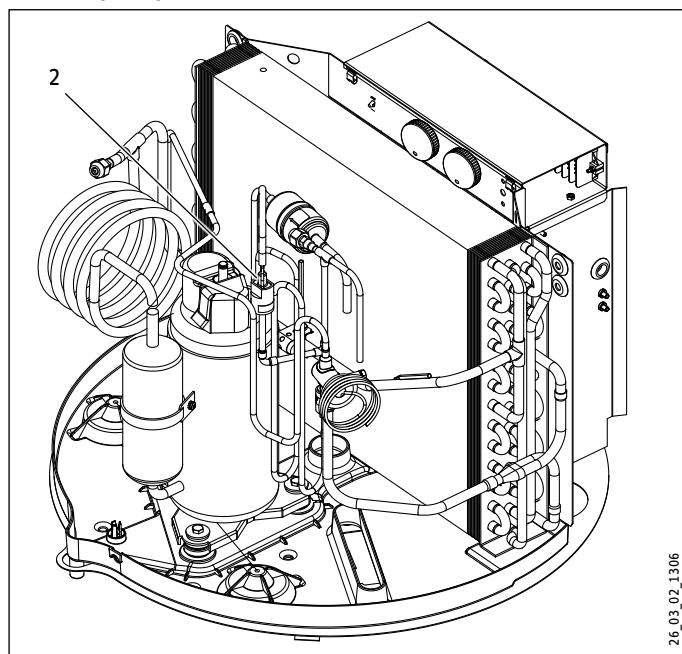
En cas de défaillance, les interrupteurs de sécurité sur le chauffe-eau vont déclencher les circuits électriques concernés.

15.1.1 Interrupteur de sécurité de limite supérieure pour le chauffage d'appoint

L'interrupteur de sécurité de limite supérieure protège le chauffe-eau de la surchauffe. Le chauffage d'appoint est désactivé lorsque la température de l'eau à l'intérieur du réservoir dépasse 95°C (203°F).

Une fois que l'origine de la défaillance a été remédiée, appuyez sur le bouton de réenclenchement de l'interrupteur de sécurité de limite supérieure. Pour cela, il faut d'abord retirer le couvercle du chauffe-eau. Voir ci-après.

15.1.2 Limiteur de pression de sécurité pour la thermopompe



- 1 Bouton de réenclenchement pour l'interrupteur de sécurité de limite supérieure
- 2 Bouton de réenclenchement pour le limiteur de pression de sécurité

Le limiteur de haute pression de sécurité désactive le compresseur si la pression à l'intérieur du circuit du frigorigène dépasse la valeur maximale autorisée. Le limiteur de haute pression de sécurité peut aussi se déclencher si le chauffe-eau fonctionne au-delà de la température maximale autorisée, c'est-à-dire au-dessus de la température ambiante de 42 °C (107 °F). (Voir ci-dessus)

Le limiteur de pression de sécurité se déclenche également en cas de défaillance du thermostat de la thermopompe.

- » Une fois que l'origine de la défaillance a été remédiée, réenclenchez le limiteur de pression de sécurité en appuyant sur le bouton de réenclenchement.

15.1.3 Disjoncteur-protecteur du moteur - klixon

Le disjoncteur-protecteur du moteur peut désactiver le compresseur en cas de surcharge du fait d'une charge thermique excessive. Identifiez et éliminez la cause. Après une courte période de refroidissement, le disjoncteur-protecteur du moteur redémarrera automatiquement le compresseur.

15.2 Dépannage

15.2.1 Consumo excesivo de electricidad

- » Baissez la température du chauffage d'appoint.

15.2.2 La température ambiante baisse trop

Une des origines possibles est un débit d'air insuffisant sur l'évaporateur.

- » Vérifiez le ventilateur.
- » Vérifiez que l'évaporateur n'est pas bouché.
- » Veillez à ce que l'admission et la décharge d'air ne sont pas bouchées.

16. Entretien et nettoyage

Seuls des installateurs agréés qualifiés doivent exécuter les travaux d'entretien conformément à ces directives.



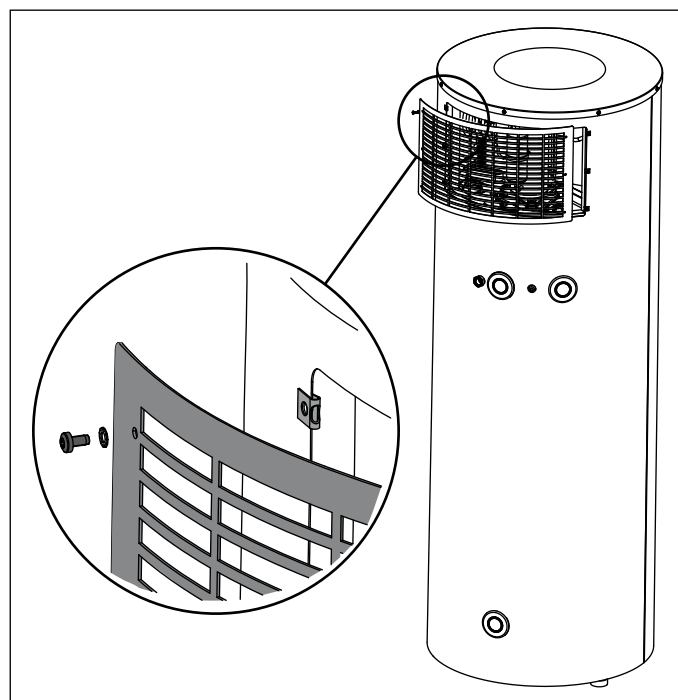
AVERTISSEMENT Choc électrique

Il est impératif que tous les travaux d'entretien, comme la vérification de la sécurité électrique, soient exécutés par un électricien qualifié. Avant de commencer les travaux sur le chauffe-eau, déconnectez toujours l'alimentation électrique.

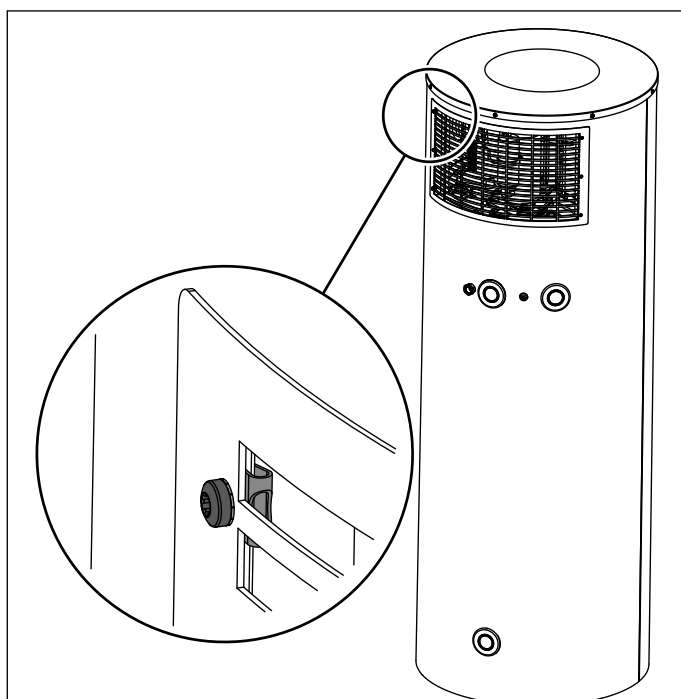


Il est possible de retirer la grille d'admission de l'air s'il n'y a pas assez de place pour effectuer les travaux d'entretien au-dessus de l'appareil même une fois que le couvercle a été retiré.

- » Ne jamais retirer la bande d'étanchéité.
- » Toujours utiliser les écrous de ressort pour la réassembler.
- » Reposer la grille d'admission de l'air après avoir effectué les travaux de réparation et d'entretien.



- 1 Grille d'admission de l'air amovible avec une bande adhésive intégrale à l'intérieur.



» Nettoyez délicatement les ailettes de l'évaporateur. N'utilisez que de l'eau et une brosse douce. N'utilisez jamais de produits nettoyants alcalins ou acides.

16.2 Purge du réservoir



AVERTISSEMENT Ébouillantage

Il est possible que de l'eau chaude s'échappe lorsque vous videz le réservoir.

- » Coupez la vanne d'isolement de la conduite d'eau froide.
- » Ouvrez entièrement les robinets d'eau chaude partout.

Le réservoir se vide par le biais de l'alimentation d'eau froide. Il restera un peu d'eau au fond du réservoir.

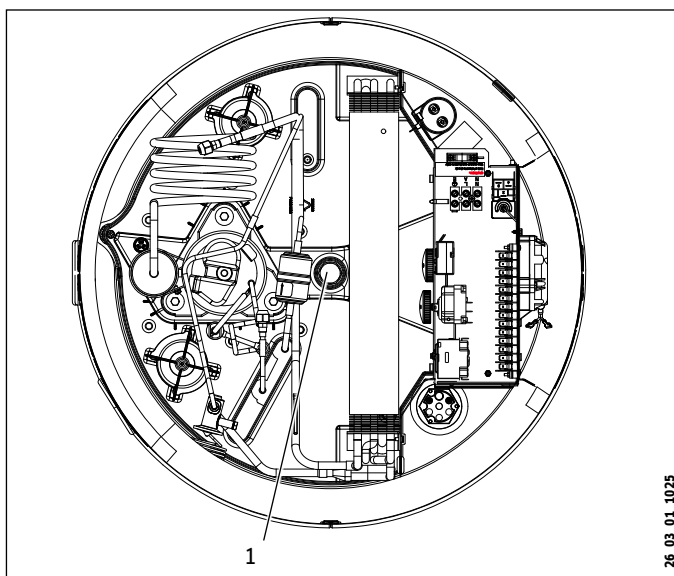
- » Ouvrez le robinet de purge (voir chapitre 10.7, « Raccordement de l'eau »).

S'il n'y a pas de robinet de purge, démontez le raccord sur l'alimentation de l'eau froide du chauffe-eau.

16.3 Anode soluble

Une anode soluble est insérée en haut du chauffe-eau. L'anode soluble installée en usine mesure environ 1 260 mm (50 po) de long.

L'intervalle pour l'inspection de l'anode dépend de la qualité de l'eau localement et est défini par votre installateur agréé. Nous recommandons que l'anode soit vérifiée au plus tard un an après le démarrage initial.



1 Anode soluble

Une anode soluble est insérée en haut du chauffe-eau. L'anode soluble installée en usine mesure environ 1 260 mm (50 po) de long.

L'intervalle pour l'inspection de l'anode dépend de la qualité de l'eau localement et est défini par votre installateur agréé. Nous recommandons que l'anode soit vérifiée au plus tard un an après le démarrage initial.

16.1 Nettoyage de l'évaporateur



AVERTISSEMENT Blessure

L'évaporateur possède plusieurs ailettes aux chants acérés. Lorsque vous nettoyez l'évaporateur, faites attention et portez des vêtements protecteur, en particulier des gants de sécurité.

Pour conserver la puissance intacte du chauffe-eau en permanence, il faut faire nettoyer de temps en temps l'évaporateur par un professionnel.

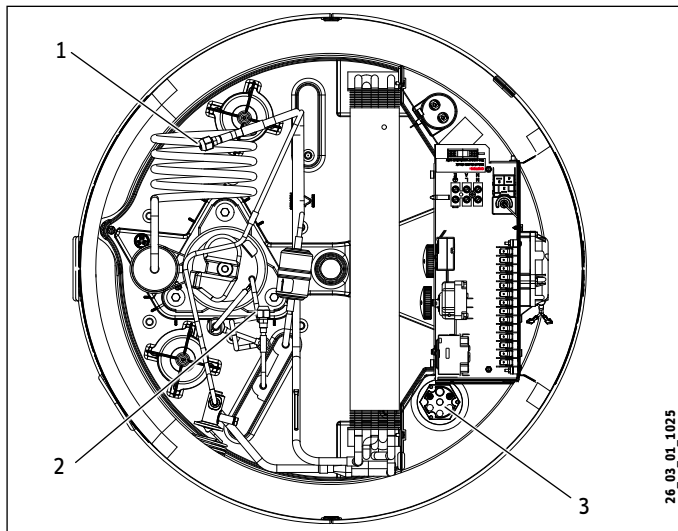
- » Dévissez les vis qui fixent le couvercle du chauffe-eau et retirez-le.

Descripción	Número de la pieza
Anode	278235
Anode fractionnée	143498

Lors de l'installation de l'anode, veillez à ce qu'il y ait une connexion propre conductrice en métal entre l'anode et le réservoir.

16.4 D  tartrage

- » Coupez la vanne d'isolement dans l'alimentation d'eau froide vers le r  servoir.
- » Tirez l'eau du r  servoir pour avoir moins de pression dans le chauffe-eau.



- 1 Low pressure fill port
- 2 High pressure fill port
- 3 Bride du chauffage d'appoint

- » D  visser la bride du chauffage d'appoint et retirez le thermoplongeur.
- » Immergez les sections tarttr  es du thermoplongeur dans le liquide de d  tartrage (par exemple, de l'acide citrique) jusqu'   ce que les traces de calcaire aient disparu.
- » Rincez le liquide de d  tartrage (le vinaigre blanc est un autre exemple), puis laissez s  cher le thermoplongeur.

16.5 Inspection des valves

16.5.1 Soupape de surpression (fournie sur le chantier)

Pour des questions de s  curit  , il est n  cessaire de v  rifier    intervalles r  guliers que la soupape T&P fonctionne correctement.

- » Ouvrez la soupape de surpression jusqu'   ce qu'un jet d'eau soit expuls  .
- » Fermez la soupape de surpression une fois la v  rification termin  e.

L'accumulation du calcaire se fait plus ou moins vite selon la qualit   de l'eau localement et la temp  rature de l'eau chaude. Faites confiance    vos installateurs locaux agr  es pour d  terminer les intervalles de service en fonction de la qualit   de l'eau.

16.5.2 Robinet de pression (sur place)

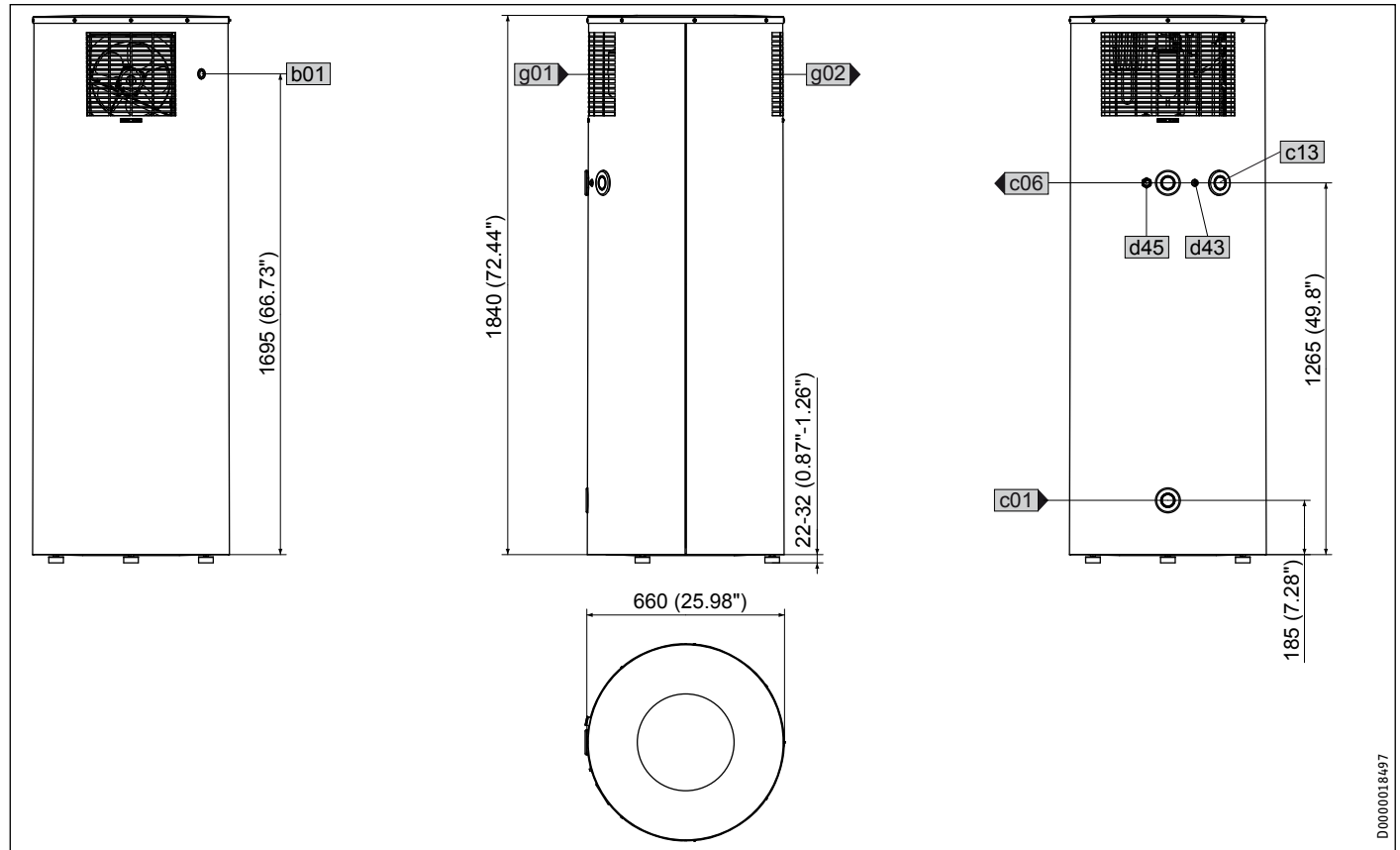
- » V  rifiez le robinet de pression sur place pour s'assurer qu'il fonctionne bien. Remplacez le robinet, le cas   ch  ant.

16.5.3 Checking refrigerant levels

- » Seuls les techniciens CVC agr  es sont sens  s effectuer l'entretien et la r  paration de la thermopompe ou la v  rification des niveaux de frigorig  ne.
- » When checking refrigerant levels at fill ports be sure to use new crush washers (supplied with unit).

17. Spécification

17.1 Connexion et dimensions



D0000018497

Accelera® 300 Conexiones y medidas

b01 Admission des câbles électriques

c01 Arrivée d'eau froide Filet male G 1

c06 Sortie de l'eau chaude sanitaire Filet male G 1

c13 Soupape T&P Filet femme G 3/4

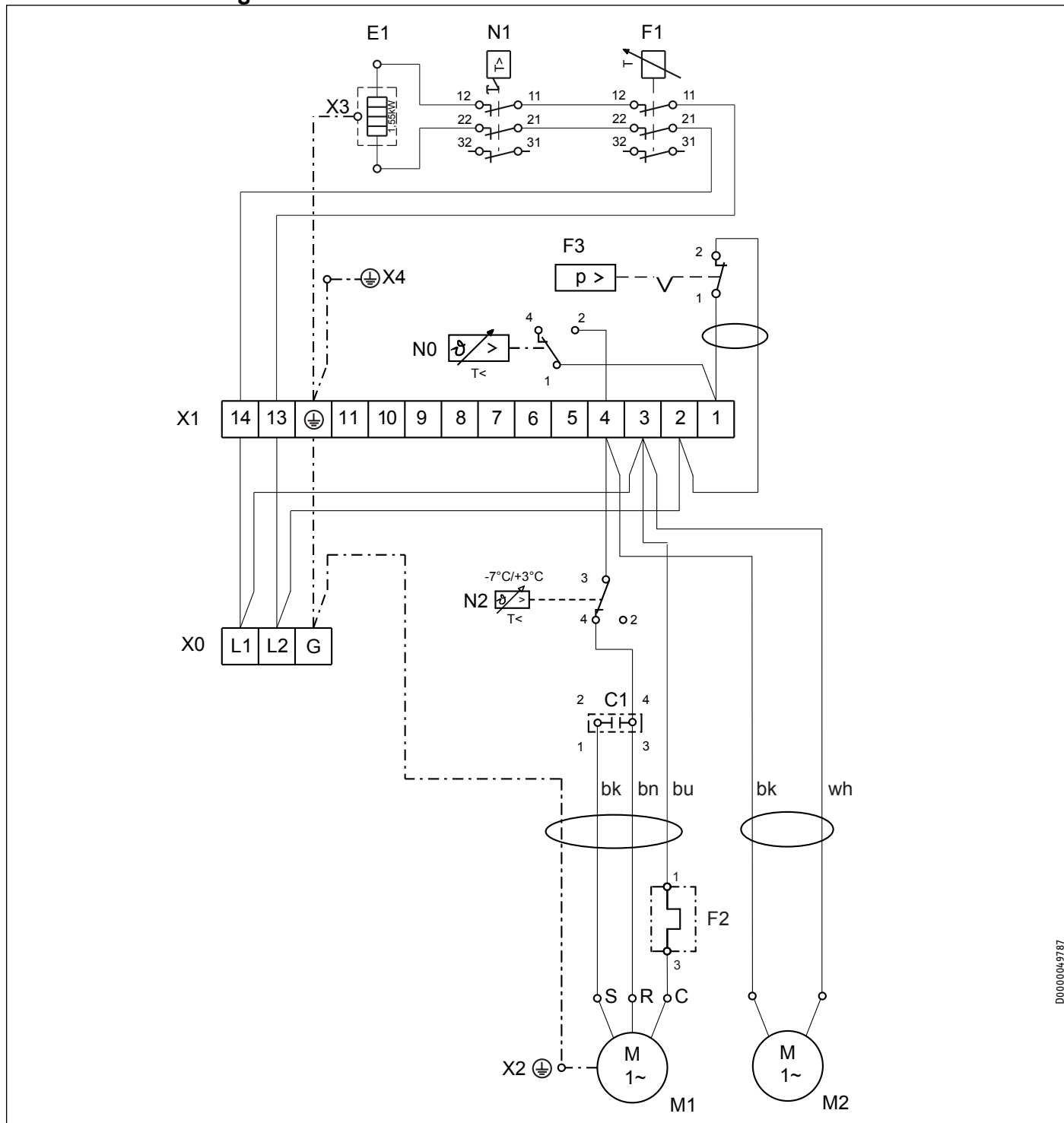
d43 Débordement de condensats

d45 Tuyau d'écoulement Rosca macho G 3/4

g01 Admission d'air

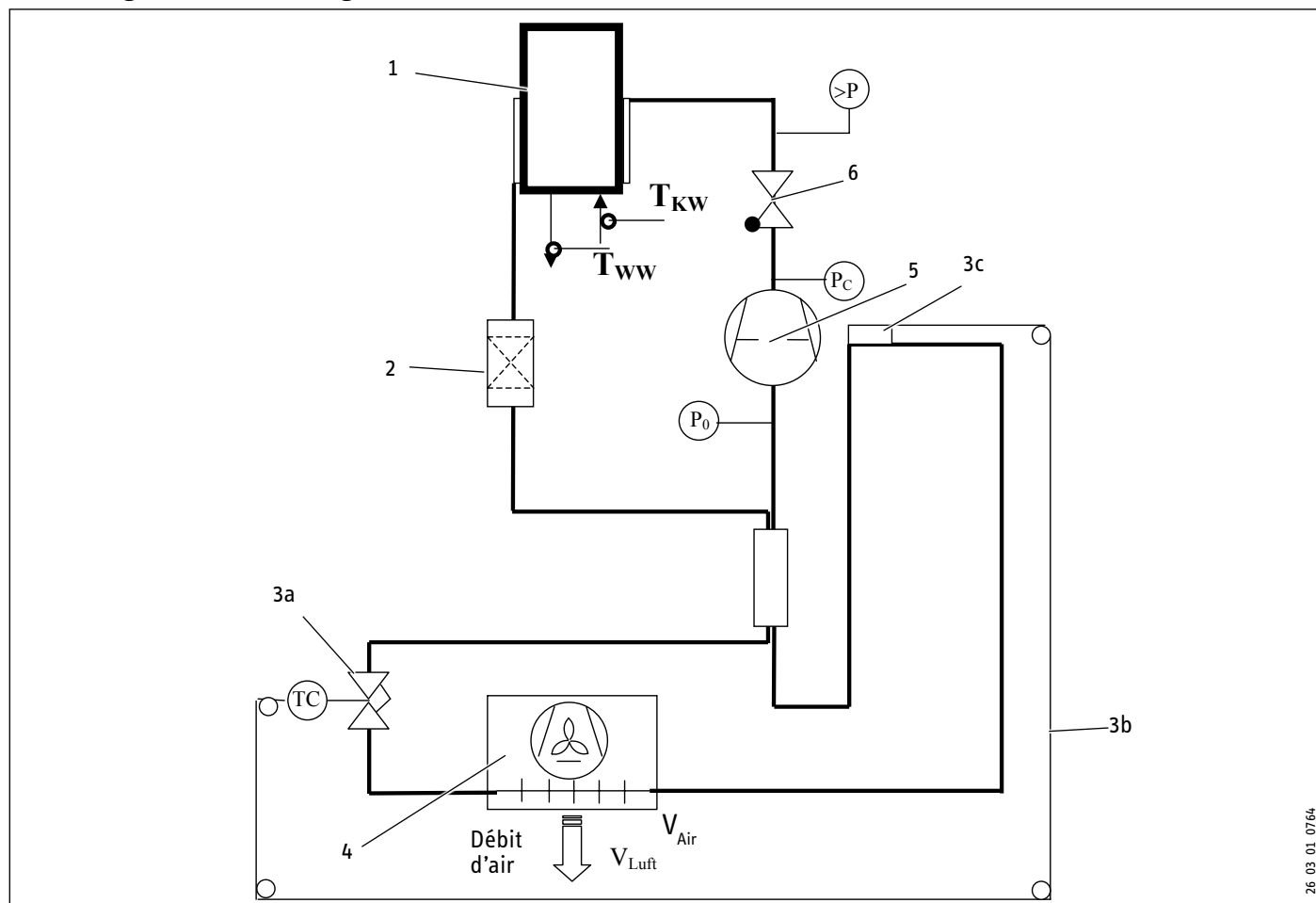
g02 Évacuation d'air

17.2 Schéma de câblage



- | | | | |
|----|--|----|--|
| E1 | Chauffage d'appoint | X0 | Bornier de raccordement réseau |
| F1 | Interrupteur de sécurité de limite supérieure, chauffage d'appoint | X1 | Bornier de la thermopompe |
| F2 | Protection du moteur de compresseur (Klixon) | X2 | Terre, compresseur |
| F3 | Limiteur de pression de sécurité (haute pression) | X3 | Tierra, calentador de refuerzo |
| M1 | Compresseur | X4 | Tierra, enveloppe de la citerne en acier |
| M2 | Ventilateur | C1 | Capaciteur |
| N0 | Thermostat de commande de la thermopompe | | |
| N1 | Thermostat, Chauffage d'appoint | | |
| N2 | Contrôleur antigel | | |

17.3 Diagrama de la refrigeración



- 1 Réservoir avec condensateur de chaleur, avec enveloppe et capteurs de température
- 2 Filtre déshydrateur
- 3a Robinet détenteur
- 3b Tube capillaire
- 3c Bulbe capillaire
- 4 Ventilateur & évaporateur
- 5 Compresseur
- 6 Clapet antiretour
- PC Robinet de service, haute pression
- PO Robinet de service, basse pression
- >P Interrupteur de sécurité de limite supérieure
- TC Robinet détenteur thermostatique

26_03_01_0764

17.4 Données techniques

Modèle	Chauffe-eau thermodynamique
Type	Accelera® 300
Numéro de pièce	222423
Version	Avec dégivrage passif et chauffage d'appoint
Détails relatifs au fonctionnement	
Limite inférieure d'application pour le fonctionnement de la thermopompe (température ambiante)	42.8 °F / 6 °C
Limite supérieure d'application pour le fonctionnement de la thermopompe (température ambiante)	107 °F / 42 °C
Température de l'eau chaude, thermopompe	140 °F / 60 °C
Température de l'eau chaude, chauffage d'appoint	140 °F / 60 °C
Débit d'air	324 cfm / 550 m³/h
Capacité du réservoir	80 gal / 303 l
Frigorigène	R 134a
Frigorigène / poids de remplissage	32 oz / 900 g
Hauteur du chauffe-eau (minimale)	73.4" / 1865 mm
Hauteur du chauffe-eau (maximale)	74.9" / 1903 mm
Diamètre du chauffe-eau	26" / 660 mm
Dimension lorsqu'il est incliné (emballage compris)	87.6" / 2225 mm
Dimension lorsqu'il est incliné (emballage supérieur non compris)	84.7" / 2150 mm
Dimension lorsqu'il est incliné (emballage supérieur et palette non compris)	79.9" / 2030 mm
Dimension lorsqu'il est incliné (emballage non compris)	78.4" / 1990 mm
Poids (réservoir vide)	287 lbs / 130 kg
Poids (rempli)	950 lbs / 432 kg
Raccordement de l'eau avec adaptateur	Union to 3/4"
Tuyau d'écoulement	3/4"
Condensateur	Échangeur de chaleur de sécurité Rollbond
Pression de service autorisée, côté bas (froid)*	87 psi / 0.6 MPa
Pression positive autorisée, côté haut (chaud)*	348 psi / 2.4 MPa
Niveau sonore	55.2 dB(A)
Température d'arrivée maximale	140 °F / 60 °C
Détails de la configuration électrique	
Connexion électrique, tension / fréquence	L1,L2,G / 208-240 v / 60/50 Hz
Protection	IP 24
Consommation maximale d'énergie (Temp amb. = 42 °C (108 °F), T eau = 60 °C (140 °F), 240 V)	2.2 kW
Protection des fusibles électriques	15 A double pole breaker
Consommation de courant nominal, thermopompe	2.5 A
Consommation de courant nominal, thermopompe, (conformément à la norme DIN 8947 à 15 °C (59°F) - temp. air, 70 % - humidité rel. et 45 °C (113 °F) - temp. eau)	0.5 kW

INSTALLATION

SPÉCIFICATION

Modèle	Chauffe-eau thermodynamique
Consommation d'énergie, chauffage d'appoint	1.690 kW
Puissance de chauffe thermopompe (Temp. air. = 15 °C (59 °F), humidité rel = 70 %, chauffage de l'eau de 15 °C (59 °F) à 60 °C (140 °F), conformément à la norme EN 255 T3, 240 V / 60 Hz)	approx. 1.7 kW
Coefficient de performance (COP) (Temp. air. = 15 °C (59 °F), humidité rel = 70 %, chauffage de l'eau de 15 °C (59 °F) à 60 °C (140 °F), conformément à la norme EN 255 T3, 240 V / 60 Hz)	3.18

* Un manomètre/jauge automobile normal R-12/R-134A peut servir à tester et remplir le frigorigène.

Environnement et recyclage

Veillez nous aider à protéger l'environnement. Veuillez mettre cet appareil et son emballage au rebut conformément à la législation nationale.

KYOTO | R134a

Cet appareil est rempli de frigorigène R134a.

Le frigorigène R134a est un gaz à effet de serre CFC mentionné dans le Protocole de Kyoto avec un potentiel d'effet de serre mondial (GWP) = 1300.

Ne relâchez jamais le frigorigène R134a dans l'atmosphère.

CHAUFFE-EAU À THERMOPOMPE

Tous les modèles Accelera®

GARANTIE LIMITÉE

Sous réserve du respect des termes et conditions définis dans la présente garantie à vie limitée, Stiebel Eltron, Inc. (ci-après, le Fabricant) garantit à l'acheteur d'origine (ci-après le Propriétaire) que tous les chauffe-eau (ci-après le Chauffe-eau) seront exempts de tout vice de fabrication et de matériel de la part du fabricant pendant une période de :

1. (10 ans) à partir de la date d'achat pour les installations résidentielles pour une famille
2. (1 an) à partir de la date d'achat pour toutes les autres installations
3. (à l'exclusion) de l'anode électronique ou sacrificielle

Le seul et unique recours du Propriétaire dans le cadre de la Garantie susmentionnée sera pour le Propriétaire de soit réparer en usine, soit remplacer le Chauffe-eau défectueux (à la discrétion du Fabricant) avec soit un appareil de rechange, soit une ou des pièces ayant les mêmes caractéristiques d'exploitation. La responsabilité financière maximale du Fabricant ne pourra en aucun cas aller au-delà du prix d'achat du réservoir.

Cette Garantie limitée représente la seule garantie accordée par le Fabricant et annule toute les autres garanties, orales ou écrites, expresses ou implicites, y compris, mais sans y être limitées les garanties de qualité marchande ou d'aptitude à un usage particulier. Le Fabricant rejette toute responsabilité pour les dommages ou frais indirects, consécutifs ou autres résultant directement ou indirectement de tout vice présent dans le Chauffe-eau ou survenu lors de l'usage du Chauffe-eau. Le Fabricant rejette toute responsabilité pour tout dégât des eaux ou tout autre dégât matériel encouru par le Propriétaire, résultant directement ou indirectement de tout vice présent dans le Chauffe-eau ou survenu lors de l'usage du Chauffe-eau. Seul le Fabricant est autorisé à énoncer les garanties au nom du Fabricant et aucune déclaration, garantie ou autre document énoncé par une tierce partie ne saurait engager la responsabilité du Fabricant.

Le Fabricant rejette toute responsabilité pour tout dommage causé par ou en relation avec :

1. toute mauvaise utilisation ou négligence du chauffe-eau, tout accident subi par le chauffe-eau, toute modification du chauffe-eau ou tout autre usage non prévu,
2. les calamités naturelles ou toute autre circonstance sur laquelle le fabricant n'a aucun contrôle,
3. l'installation du chauffe-eau autre que conformément aux directives du fabricant et autre que conformément aux codes de la construction en vigueur,
4. une installation incorrecte ou l'utilisation de matériaux incorrects par un installateur et sans relation avec les vices de fabrication ou de matériel du fabricant,
5. le non-respect des procédures d'entretien du chauffe-eau ou l'utilisation du chauffe-eau non conformes aux directives du fabricant,

6. la défaillance de composants qui n'avaient pas été installés à l'origine par le fabricant dans l'appareil au moment de la vente,
7. l'exposition au gel,
8. l'exposition à des produits chimiques nocifs, à de l'eau contaminée, à des liquides corrosifs ou à une atmosphère corrosive,
9. l'installation du chauffe-eau dans un système fermé sans vase d'expansion thermique correctement installé et aux dimensions adéquates,
10. l'utilisation du chauffe-eau sans l'anode à courant imposé ou l'anode sacrificielle installée en usine,
11. le remplacement de l'élément chauffant électrique par un élément non fabriqué par Stiebel Eltron ou dont la puissance est supérieure à l'élément installé à l'origine,
12. la connexion du chauffe-eau à une tension ou une alimentation incorrecte,
13. l'utilisation du chauffe-eau avec une pression d'eau irrégulière ou excessive ou dans le cas où le chauffe-eau serait alimenté en eau non potable pour toute durée que ce soit,
14. le fonctionnement de l'appareil à vide ou partiellement rempli d'eau potable,
15. l'installation et l'utilisation du chauffe-eau à l'extérieur,
16. l'utilisation du chauffe-eau à des températures supérieures que celles recommandées par le fabricant,
17. la vidange mal faite de l'appareil pendant des coupures de courant durant plus de deux jours,

Si le Propriétaire désire renvoyer le Chauffe-eau au Fabricant pour qu'il soit réparé ou remplacé dans le cadre de cette Garantie, le Propriétaire doit d'abord obtenir l'autorisation écrite du Fabricant. Le Propriétaire doit apporter la preuve d'achat, y compris la date d'achat, et sera responsable de tous les frais de transport et de dépose. Si le Propriétaire ne peut pas apporter la preuve de la date d'achat, cette Garantie sera limitée à la période commençant à la date de fabrication estampée sur le Chauffe-eau. Le Fabricant se réserve le droit de rejeter toute couverture de la Garantie à la suite d'une inspection du Chauffe-eau par le Fabricant. Cette Garantie ne s'applique qu'au propriétaire et ne peut pas être transférée.

Certains États et Provinces n'autorisent pas l'exclusion ou la limitation de certaines garanties. Dans ce cas, les limites ci-mentionnées peuvent ne pas s'appliquer au propriétaire. Dans ce cas, la Garantie sera limitée à la période la plus courte et aux dommages et intérêts les plus faibles autorisés par la loi. Cette garantie vous octroie des droits légaux spécifiques. Il est toutefois possible que vous ayez d'autres droits en fonction de votre juridiction.

Le Propriétaire sera responsable de tous les frais de main-d'œuvre et autres encourus lors de la dépose ou de la réparation du Chauffe-eau sur le chantier. Veuillez également noter que le Chauffe-eau doit être installé de sorte qu'en cas de fuite, l'eau qui s'écoule doit couler de façon à ne pas endommager l'endroit où il est installé.

Cette garantie n'est valide que pour le Canada et les États-Unis. Les garanties varient en fonction du pays. Veuillez vous adresser à votre représentant local Stiebel Eltron pour plus de détails sur la garantie s'appliquant à votre pays.

STIEBEL ELTRON

17 West Street
West Hatfield, MA 01088

TEL 800.582.8423

TEL 413.247.3380

FAX 413.247.3369

info@stiebel-eltron-usa.com

www.stiebel-eltron-usa.com

NOTES | NOTAS

North, Central, and South America

United States of America

STIEBEL ELTRON, Inc.

17 West Street | West Hatfield, MA 01088

Tel. 0413 247-3380 | Fax 0413 247-3369

Email info@stiebel-eltron-usa.com

Web www.stiebel-eltron-usa.com



Subject to errors and technical changes.

Stand 8643

STIEBEL ELTRON

A 280011-38683-9053